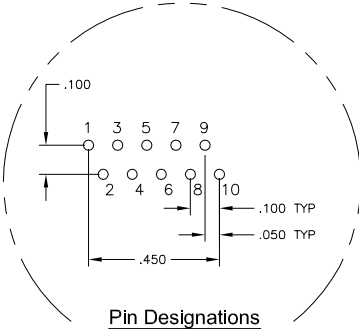
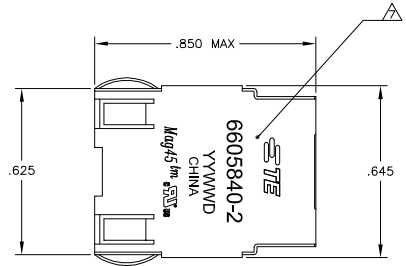


LOC	DATE	REVISIONS	DATE	BY	APP
AA	22				
B	ECO-08-031922		10DEC2008	VL	LR
C	ECO-11-013915		30MAY2011	EL	LR

**MECHANICAL:**



**MATERIALS:**  
**HOUSING** - THERMOPLASTIC PET POLYESTER FLAMMABILITY RATING UL 94V-0.  
**SHIELD** - .010" THICK, C26800 BRASS PREPLATED WITH 30µINCH MIN SEMI-BRIGHT NICKEL; SOLDER TABS POST DIPPED WITH 100µINCH MIN SAC SOLDER.  
**MOD JACK CONTACTS** - .0157" x .018" THICK, PHOSPHOR BRONZE, 50µINCH MIN OVERALL NICKEL UNDERPLATE, WITH SELECT 50µINCH MIN HARD GOLD FINISH PLATE. SOLDER TAILS WITH 100µINCH MIN MATTE TIN AND/OR SAC SOLDER DIP.

**RJ45 JACK CAVITY** CONFORMS TO FCC RULES AND REGULATIONS PART 68, SUB PART F.

**MAGNETICS**  
 -APPLICATION: 10/100/1000 BASE-T  
 -IMPEDANCE: 100 OHMS  
 -TURNS RATIO (CHIP-CABLE): 1:1 ALL FOUR PAIRS  
 -OPEN CIRCUIT INDUCTANCE (OCL): 350µH MIN @100kHz, 0.1VRMS, 8mADC BIAS FROM 0°C TO 70°C, ALL FOUR PAIRS  
 -ALL FOUR PAIRS BI-DIRECTIONAL  
 -PERFORMANCE @ 25°C:  
 INSERTION LOSS (IL): 11dB MAX FROM 0.5MHz TO 100MHz  
 RETURN LOSS (RL): 18dB MIN FROM 0.5MHz TO 40MHz  
 12-20LOG(f/80)dB MIN FROM 4.01MHz TO 100MHz  
 CROSSTALK ATTENUATION: 35dB MIN FROM 0.5MHz TO 40MHz  
 33-20LOG(f/50)dB MIN FROM 4.01MHz TO 100MHz  
 COMMON MODE REJECTION RATIO (CMRR): 30dB MIN FROM 0.5MHz TO 100MHz  
 -ISOLATION VOLTAGE: 225VDC (MAX) FOR 60 SECONDS WITH A RISE TIME OF 500V/SEC.

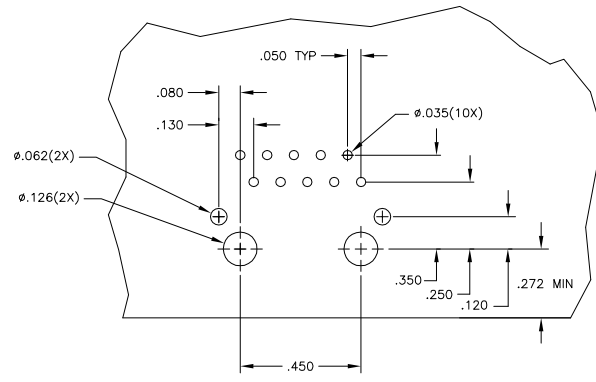
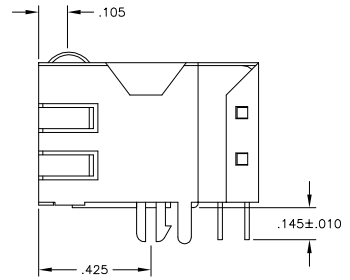
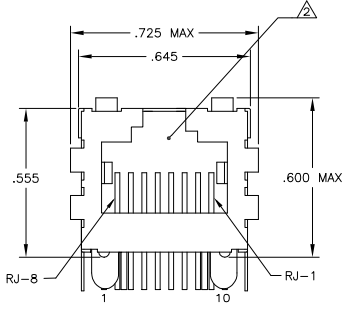
4. OPERATING TEMPERATURE: FROM 0° C TO +70° C.

ALL DIMENSIONS NOMINAL UNLESS OTHERWISE NOTED.

INDICATED CONNECTIONS ARE FOR NIC CONFIGURATION. THE MAGNETICS ARE SYMMETRICAL, AND THEREFORE ARE AUTO-MDI/MDIX CAPABLE.

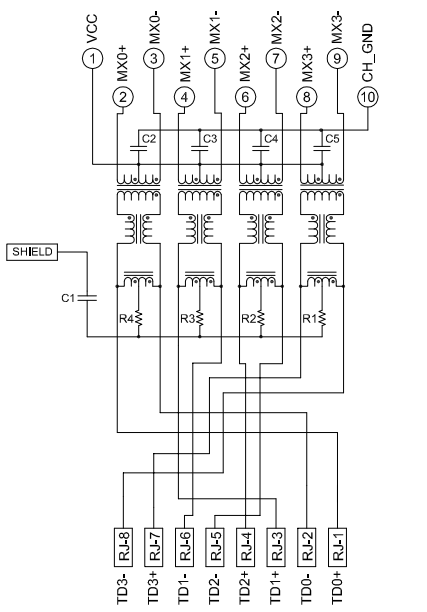
TE CONNECTIVITY LOGO, PART NUMBER, DATE CODE, COUNTRY OF ORIGIN AND AGENCY APPROVAL MARKING IN APPROXIMATE LOCATION SHOWN.

8. THE PART IS RECOMMENDED FOR WAVE SOLDERING PROCESS, PREHEAT TEMPERATURE IS 120°C TO 160°C, 120 SECONDS TO 180 SECONDS, PEAK WAVE SOLDERING TEMPERATURE IS 260°C MAX, 10 SECONDS MAX.

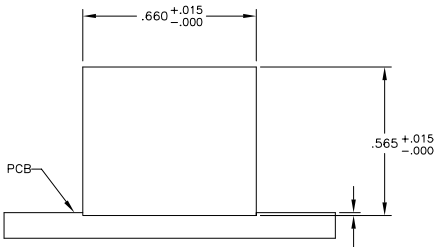


**Suggested PCB Layout**  
(Component Side)

**ELECTRICAL:**  
**7G05P1 GIGABIT MAGNETIC CIRCUIT**



**C1 = 1000pF, 2kV DECOUPLING CAPACITOR**  
**R1-R4 = 75 OHMS, 1/16 W RESISTORS**  
**C2-C5 = 0.1 µF, 10%, 50V CAPACITORS**



**Suggested Panel Cutout**

6605840-2  
 PART NUMBER

THIS DRAWING IS A CONTROLLED DOCUMENT.		REV. 2 GRZYBOWSKI		OLANZOS	
DIMENSIONS:		NO. PARTS:		NAME:	
INCHES:	1.0	1.0	1.0	1.0	1.0
0.125	1.0	1.0	1.0	1.0	1.0
0.250	1.0	1.0	1.0	1.0	1.0
0.500	1.0	1.0	1.0	1.0	1.0
1.000	1.0	1.0	1.0	1.0	1.0
2.000	1.0	1.0	1.0	1.0	1.0
4.000	1.0	1.0	1.0	1.0	1.0
8.000	1.0	1.0	1.0	1.0	1.0
16.000	1.0	1.0	1.0	1.0	1.0
32.000	1.0	1.0	1.0	1.0	1.0
64.000	1.0	1.0	1.0	1.0	1.0
128.000	1.0	1.0	1.0	1.0	1.0
256.000	1.0	1.0	1.0	1.0	1.0
512.000	1.0	1.0	1.0	1.0	1.0
1024.000	1.0	1.0	1.0	1.0	1.0
2048.000	1.0	1.0	1.0	1.0	1.0
4096.000	1.0	1.0	1.0	1.0	1.0
8192.000	1.0	1.0	1.0	1.0	1.0
16384.000	1.0	1.0	1.0	1.0	1.0
32768.000	1.0	1.0	1.0	1.0	1.0
65536.000	1.0	1.0	1.0	1.0	1.0
131072.000	1.0	1.0	1.0	1.0	1.0
262144.000	1.0	1.0	1.0	1.0	1.0
524288.000	1.0	1.0	1.0	1.0	1.0
1048576.000	1.0	1.0	1.0	1.0	1.0
2097152.000	1.0	1.0	1.0	1.0	1.0
4194304.000	1.0	1.0	1.0	1.0	1.0
8388608.000	1.0	1.0	1.0	1.0	1.0
16777216.000	1.0	1.0	1.0	1.0	1.0
33554432.000	1.0	1.0	1.0	1.0	1.0
67108864.000	1.0	1.0	1.0	1.0	1.0
134217728.000	1.0	1.0	1.0	1.0	1.0
268435456.000	1.0	1.0	1.0	1.0	1.0
536870912.000	1.0	1.0	1.0	1.0	1.0
1073741824.000	1.0	1.0	1.0	1.0	1.0
2147483648.000	1.0	1.0	1.0	1.0	1.0
4294967296.000	1.0	1.0	1.0	1.0	1.0
8589934592.000	1.0	1.0	1.0	1.0	1.0
17179869184.000	1.0	1.0	1.0	1.0	1.0
34359738368.000	1.0	1.0	1.0	1.0	1.0
68719476736.000	1.0	1.0	1.0	1.0	1.0
137438953472.000	1.0	1.0	1.0	1.0	1.0
274877906944.000	1.0	1.0	1.0	1.0	1.0
549755813888.000	1.0	1.0	1.0	1.0	1.0
1099511627776.000	1.0	1.0	1.0	1.0	1.0
2199023255552.000	1.0	1.0	1.0	1.0	1.0
4398046511104.000	1.0	1.0	1.0	1.0	1.0
8796093022208.000	1.0	1.0	1.0	1.0	1.0
17592186444416.000	1.0	1.0	1.0	1.0	1.0
35184372888832.000	1.0	1.0	1.0	1.0	1.0
70368745777664.000	1.0	1.0	1.0	1.0	1.0
140737491555328.000	1.0	1.0	1.0	1.0	1.0
281474983110656.000	1.0	1.0	1.0	1.0	1.0
562949966221312.000	1.0	1.0	1.0	1.0	1.0
1125899932442624.000	1.0	1.0	1.0	1.0	1.0
2251799864885248.000	1.0	1.0	1.0	1.0	1.0
4503599729770496.000	1.0	1.0	1.0	1.0	1.0
9007199459540992.000	1.0	1.0	1.0	1.0	1.0
18014398919081984.000	1.0	1.0	1.0	1.0	1.0
36028797838163968.000	1.0	1.0	1.0	1.0	1.0
72057595676327936.000	1.0	1.0	1.0	1.0	1.0
144115191352655872.000	1.0	1.0	1.0	1.0	1.0
288230382705311744.000	1.0	1.0	1.0	1.0	1.0
576460765410623488.000	1.0	1.0	1.0	1.0	1.0
1152921530821246976.000	1.0	1.0	1.0	1.0	1.0
2305843061642493952.000	1.0	1.0	1.0	1.0	1.0
4611686123284987904.000	1.0	1.0	1.0	1.0	1.0
9223372246569975808.000	1.0	1.0	1.0	1.0	1.0
18446744493139957616.000	1.0	1.0	1.0	1.0	1.0
36893488986279915232.000	1.0	1.0	1.0	1.0	1.0
73786977972559830464.000	1.0	1.0	1.0	1.0	1.0
147573955945119660928.000	1.0	1.0	1.0	1.0	1.0
295147911890239321856.000	1.0	1.0	1.0	1.0	1.0
590295823780478643712.000	1.0	1.0	1.0	1.0	1.0
1180591647560957287424.000	1.0	1.0	1.0	1.0	1.0
2361183295121914574848.000	1.0	1.0	1.0	1.0	1.0
4722366590243829149696.000	1.0	1.0	1.0	1.0	1.0
9444733180487658299392.000	1.0	1.0	1.0	1.0	1.0
18889466360975316598784.000	1.0	1.0	1.0	1.0	1.0
37778932721950633197568.000	1.0	1.0	1.0	1.0	1.0
75557865443901266395136.000	1.0	1.0	1.0	1.0	1.0
151115730887802532790272.000	1.0	1.0	1.0	1.0	1.0
302231461755605065580544.000	1.0	1.0	1.0	1.0	1.0
6044629235112101311601088.000	1.0	1.0	1.0	1.0	1.0
12089258470224202623202176.000	1.0	1.0	1.0	1.0	1.0
24178516940448405246404352.000	1.0	1.0	1.0	1.0	1.0
48357033880896810492808704.000	1.0	1.0	1.0	1.0	1.0
96714067761793620985617408.000	1.0	1.0	1.0	1.0	1.0
193428135523587241971234816.000	1.0	1.0	1.0	1.0	1.0
386856271047174483942469632.000	1.0	1.0	1.0	1.0	1.0
773712542094348967884939264.000	1.0	1.0	1.0	1.0	1.0
1547425084188697935769878528.000	1.0	1.0	1.0	1.0	1.0
3094850168377395871539757056.000	1.0	1.0	1.0	1.0	1.0
6189700336754791743079514112.000	1.0	1.0	1.0	1.0	1.0
12379400673509583486159028224.000	1.0	1.0	1.0	1.0	1.0
24758801347019166972318056448.000	1.0	1.0	1.0	1.0	1.0
49517602694038333944636112896.000	1.0	1.0	1.0	1.0	1.0
99035205388076667889272225792.000	1.0	1.0	1.0	1.0	1.0
198070410776153335778544451584.000	1.0	1.0	1.0	1.0	1.0
396140821552306671557088903168.000	1.0	1.0	1.0	1.0	1.0
792281643104613343114177806336.000	1.0	1.0	1.0	1.0	1.0
1584563286209226686228355612672.000	1.0	1.0	1.0	1.0	1.0
3169126572418453372456711225344.000	1.0	1.0	1.0	1.0	1.0
6338253144836906744913422450688.000	1.0	1.0	1.0	1.0	1.0
12676506289673813489826845101376.000	1.0	1.0	1.0	1.0	1.0
25353012579347626979653690202752.000	1.0	1.0	1.0	1.0	1.0
50706025158695253959307380405504.000	1.0	1.0	1.0	1.0	1.0
101412050317390507918614760811008.000	1.0	1.0	1.0	1.0	1.0
202824100634781015837229521622016.000	1.0	1.0	1.0	1.0	1.0
405648201269562031674459043244032.000	1.0	1.0	1.0	1.0	1.0
811296402539124063348918086488064.000	1.0	1.0	1.0	1.0	1.0
162259280507824812669778371376128.000	1.0	1.0	1.0	1.0	1.0
324518561015649625339556742752256.000	1.0	1.0	1.0	1.0	1.0
649037122031299250679113485504512.000	1.0	1.0	1.0	1.0	1.0
129807424406259850135822697101024.000	1.0	1.0	1.0	1.0	1.0
259614848812519700271645384202048.000	1.0	1.0	1.0	1.0	1.0
519229697625039400543290768404096.000	1.0	1.0	1.0	1.0	1.0
1038459395250078801086581536808192.000	1.0	1.0	1.0	1.0	1.0
2076918790500157602173163073616384.000	1.0	1.0	1.0	1.0	1.0
415383758100031520434632614722768.000	1.0	1.0	1.0	1.0	1.0
830767516200063040869265229445536.000	1.0	1.0	1.0	1.0	1.0
1661535032400126081738530458891072.000	1.0	1.0	1.0	1.0	1.0
3323070064800252163477060917782144.000	1.0	1.0	1.0	1.0	1.0
6646140129600504326954121835564288.000	1.0	1.0	1.0		