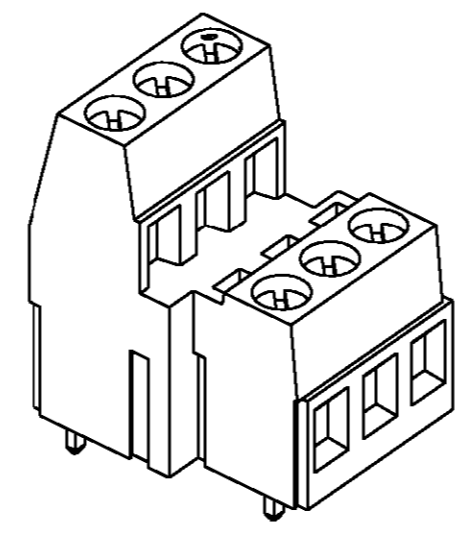
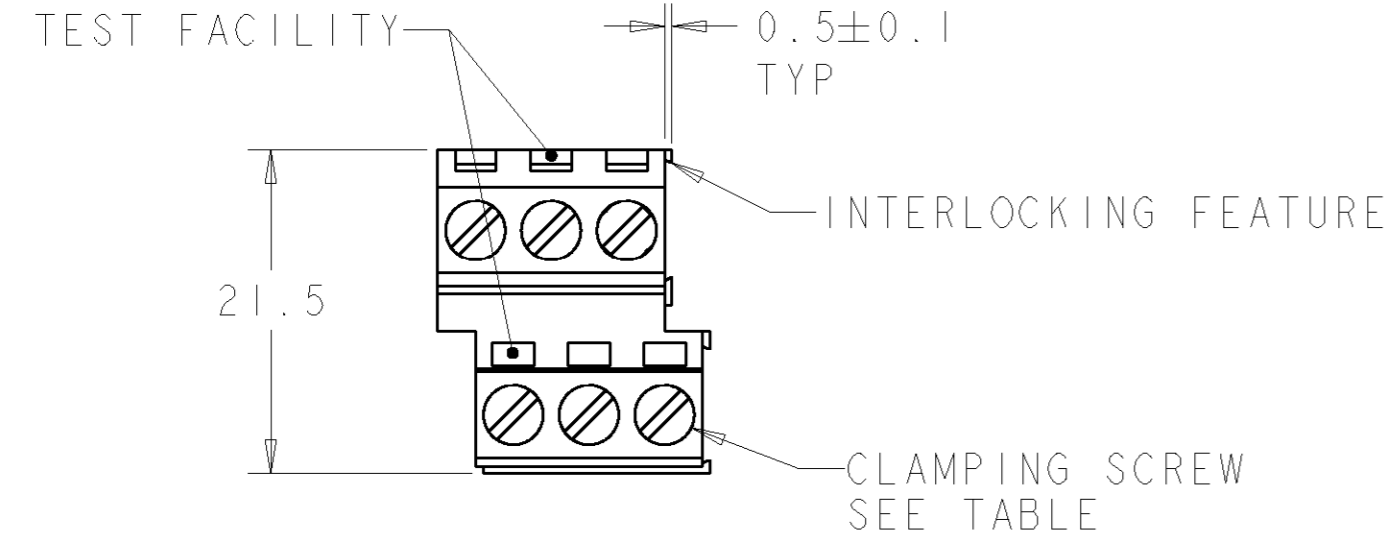


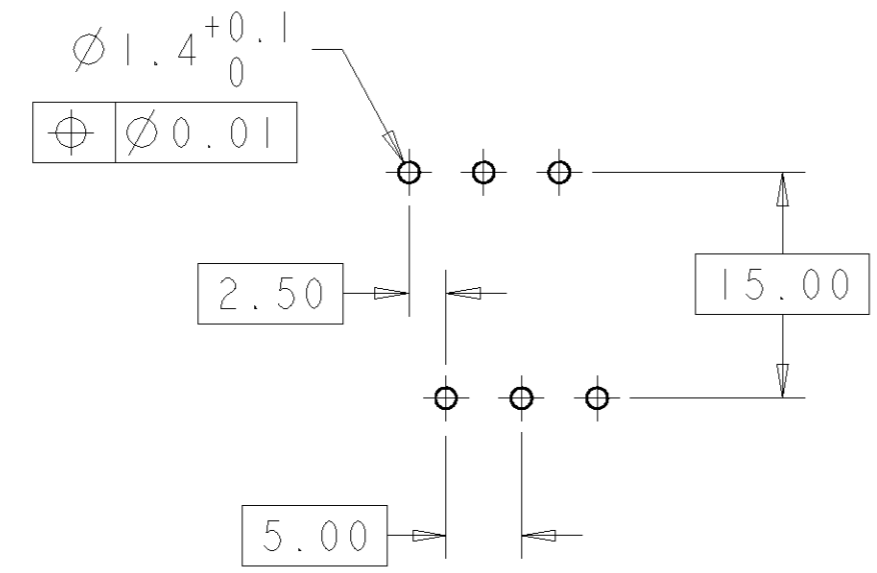
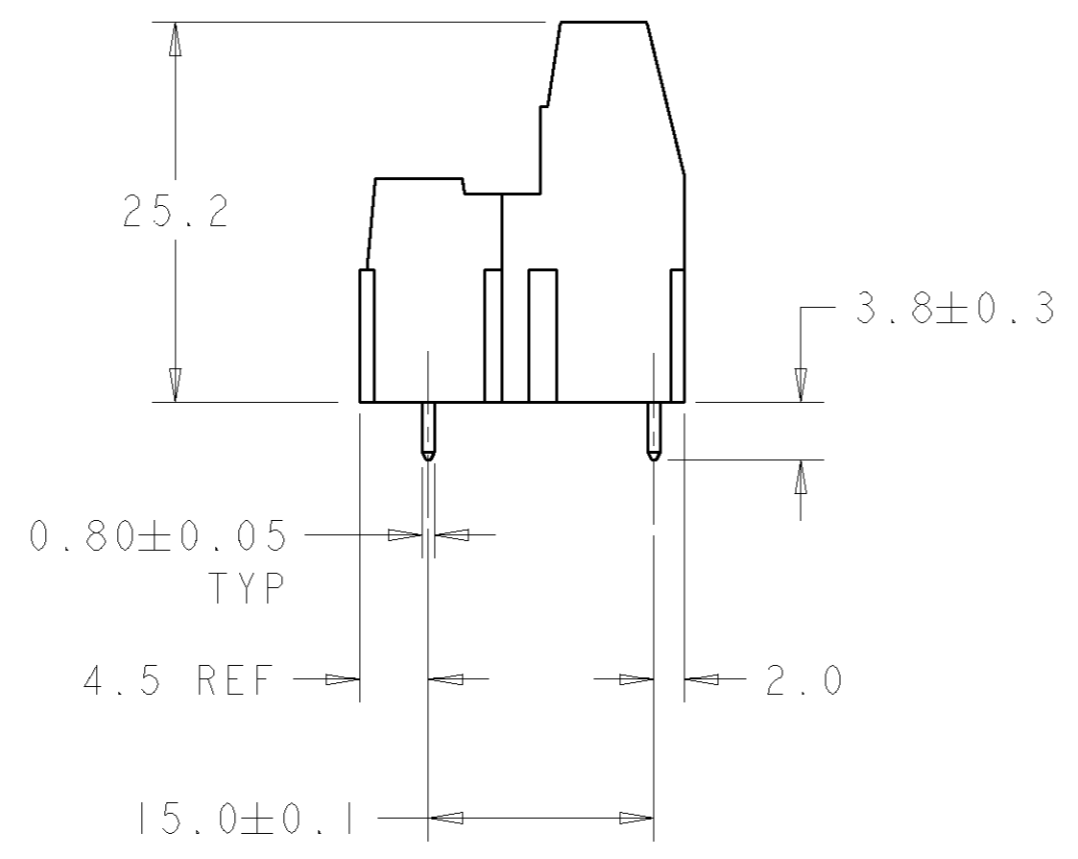
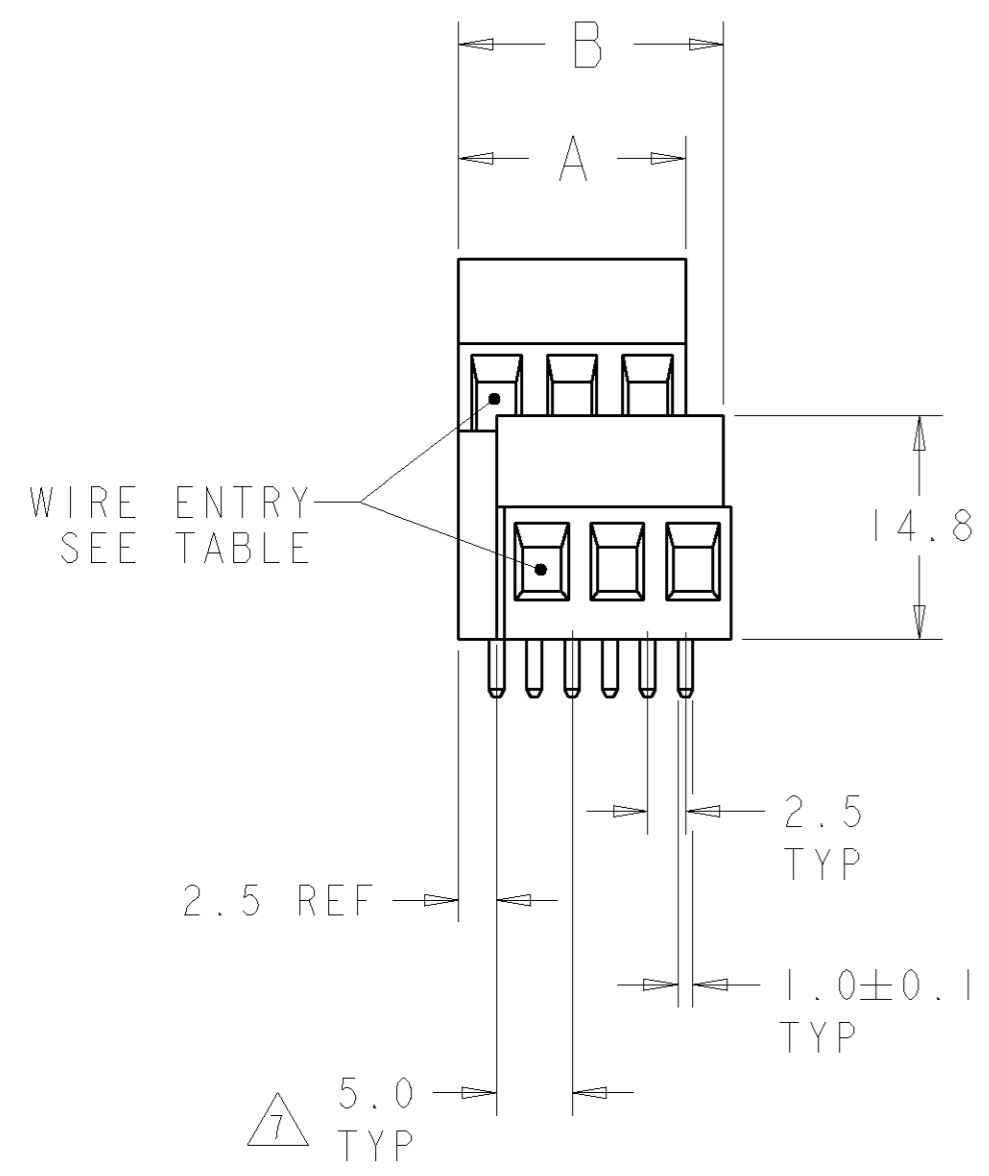
THIS DRAWING IS UNPUBLISHED. RELEASED FOR PUBLICATION 20  
 © COPYRIGHT 20 BY TYCO ELECTRONICS CORPORATION. ALL RIGHTS RESERVED.

| LOC | DIST | REVISIONS |     |                         |           |     |      |
|-----|------|-----------|-----|-------------------------|-----------|-----|------|
| FT  | 0    | P         | LTR | DESCRIPTION             | DATE      | DWN | APVD |
|     |      | A         |     | RELEASED                | 20FEB2002 | SW  | DB   |
|     |      | B         |     | REVISED EC 0G3B-0176-02 | 11JUL2002 | JS  | CR   |
|     |      | C         |     | REVISED EC 0G3B-0171-02 | 16JAN2003 | SW  | CR   |



796691-3 AS SHOWN

- 1. MATERIALS AND FINISH)  
 HOUSING: PA 6-6, UL 94-V0, COLOR: BLUE.  
 CLAMP: BRASS, NICKEL PLATED.  
 TERMINAL: BRASS, TIN PLATED.  
 CLAMPING SCREW: M3, BRASS, NICKEL PLATED.
- 2. SUITABLE FOR 1,6-2,4mm PCB BOARD THICKNESS.
- 3. END-TO-END STACKABLE W/INTERLOCK WITHOUT LOSS OF CENTERLINE SPACING.
- 4. WIRE SIZE RANGE: 12-30 AWG.
- 5. RECOGNIZED UNDER THE COMPONENT PROGRAM OF UNDERWRITERS LABORATORIES INC., FILE N° E60677.
- 6. IMQ CERTIFICATE WITH SURVEILLANCE IN CONFORMITY WITH IEC 998-1/998-2-1.
- 7. NOT CUMULATIVE TOLERANCE.)
- 8. 2-796691-1 OBTAINED BY ASSEMBLING (3) 796691-3 AND (1) 796691-2 END TO END.
- 9. BUCHANAN LOGO TO APPEAR ON HOUSING, LOCATION OPTIONAL WHERE SPACE PERMITS.



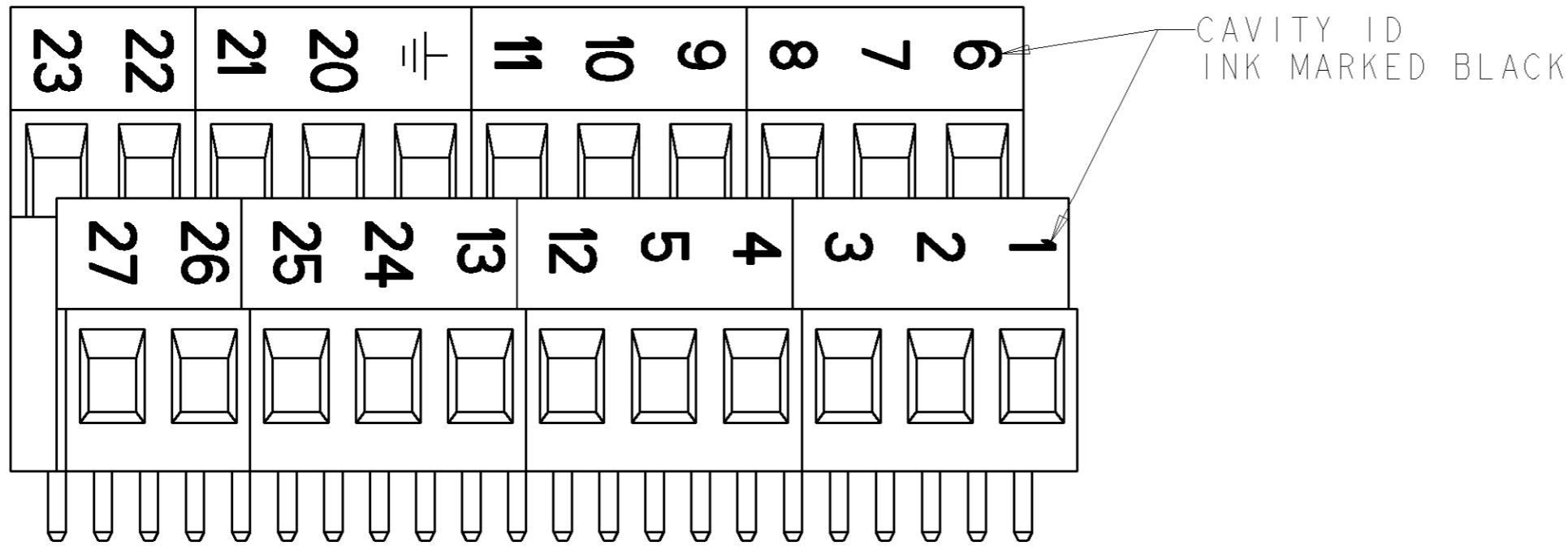
RECOMMENDED PC BOARD LAYOUT

|             |      |    |             |             |   |
|-------------|------|----|-------------|-------------|---|
| SEE SHEET 2 | 57.5 | 55 | 11          | 2-796691-1  | 8 |
| -           | 62.5 | 60 | 12          | 1-796691-2  |   |
| -           | 57.5 | 55 | 11          | 1-796691-1  |   |
| -           | 52.5 | 50 | 10          | 1-796691-0  |   |
| -           | 47.5 | 45 | 9           | 796691-9    |   |
| -           | 42.5 | 40 | 8           | 796691-8    |   |
| -           | 37.5 | 35 | 7           | 796691-7    |   |
| -           | 32.5 | 30 | 6           | 796691-6    |   |
| -           | 27.5 | 25 | 5           | 796691-5    |   |
| -           | 22.5 | 20 | 4           | 796691-4    |   |
| -           | 17.5 | 15 | 3           | 796691-3    |   |
| -           | 12.5 | 10 | 2           | 796691-2    |   |
| MARKING     | B    | A  | NO. OF POSN | PART NUMBER |   |

|  |  |                             |   |                 |
|--|--|-----------------------------|---|-----------------|
| THIS DRAWING IS A CONTROLLED DOCUMENT FOR TYCO ELECTRONICS CORPORATION IT IS SUBJECT TO CHANGE AND THE CONTROLLING ENGINEERING ORGANIZATION SHOULD BE CONTACTED FOR THE LATEST REVISION. |  | DWN S. WELDON 19FEB2001     | Tyco Electronics<br>Harrisburg, PA 17105-3608 |                 |
| DIMENSIONS: mm   |  | CHK D. BIEVENOUR 19FEB2001  |   |                 |
| TOLERANCES UNLESS OTHERWISE SPECIFIED:   |  | APVD D. BIEVENOUR 19FEB2001 | NAME  |                 |
| 0 PLC ±.3  |  | PRODUCT SPEC                | TERMINAL BLOCK, PCB MOUNT                     |                 |
| 1 PLC ±.3  |  | APPLICATION SPEC            | 1ST AND 2ND LEVEL, STACKING                   |                 |
| 2 PLC ±.25   |  | WEIGHT                      | SIZE A2                                       | CAGE CODE 00779 |
| 3 PLC ±.25   |  | CUSTOMER DRAWING            | DRAWING NO                                    | 796691          |
| 4 PLC ±.   |  | SCALE 2:1                   | SHEET 1                                       | OF 2            |
| ANGLES ±2  |  | REV C                       |   |                 |
| FINISH   |  |                             |   |                 |

THIS DRAWING IS UNPUBLISHED. RELEASED FOR PUBLICATION 20  
 © COPYRIGHT 20 BY TYCO ELECTRONICS CORPORATION. ALL RIGHTS RESERVED.

| LOC | DIST | REVISIONS |     |             |      |     |      |
|-----|------|-----------|-----|-------------|------|-----|------|
| FT  | 0    | P         | LTR | DESCRIPTION | DATE | DWN | APVD |
|     |      | -         |     | SEE SHEET 1 | -    | -   | -    |
|     |      |           |     |             |      |     |      |
|     |      |           |     |             |      |     |      |



2-796691-1 AS SHOWN  
 SCALE 3:1

|   |   |  |   |
|---|---|--|---|
| <small>THIS DRAWING IS A CONTROLLED DOCUMENT FOR TYCO ELECTRONICS CORPORATION<br/>                 IT IS SUBJECT TO CHANGE AND THE CONTROLLING ENGINEERING ORGANIZATION<br/>                 SHOULD BE CONTACTED FOR THE LATEST REVISION.</small> |   | DWN S. WELDON 01NOV2000<br>CHK D. BIEVENOUR 01NOV2000<br>APVD D. BIEVENOUR 01NOV2000 | <b>BUCHANAN</b> Tyco Electronics<br>Harrisburg, PA 17105-3608                                 |
| DIMENSIONS:<br>mm   | TOLERANCES UNLESS OTHERWISE SPECIFIED:<br>0 PLC ±<br>1 PLC ±.3<br>2 PLC ±.25<br>3 PLC ±<br>4 PLC ±<br>ANGLES ±2<br>FINISH - | PRODUCT SPEC -<br>APPLICATION SPEC -<br>WEIGHT -                                     | NAME<br>TERMINAL BLOCK, PCB MOUNT<br>1ST AND 2ND LEVEL, STACKING<br>W/INTERLOCK, 5.00mm PITCH |
| MATERIAL -  |   | CUSTOMER DRAWING   | SIZE A2 CAGE CODE 00779 DRAWING NO. 796691 RESTRICTED TO -<br>SCALE 2:1 SHEET 2 OF 2 REV A    |