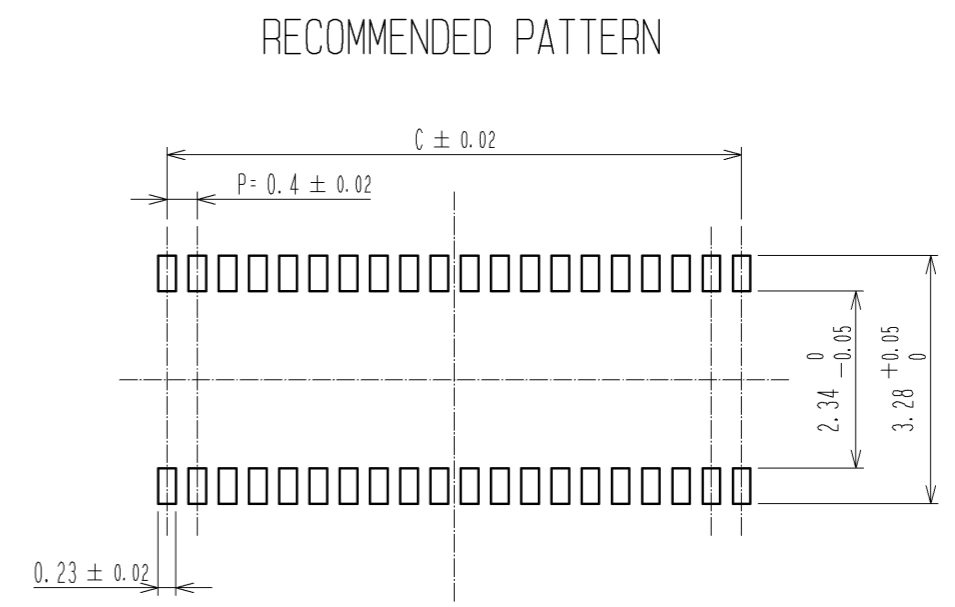
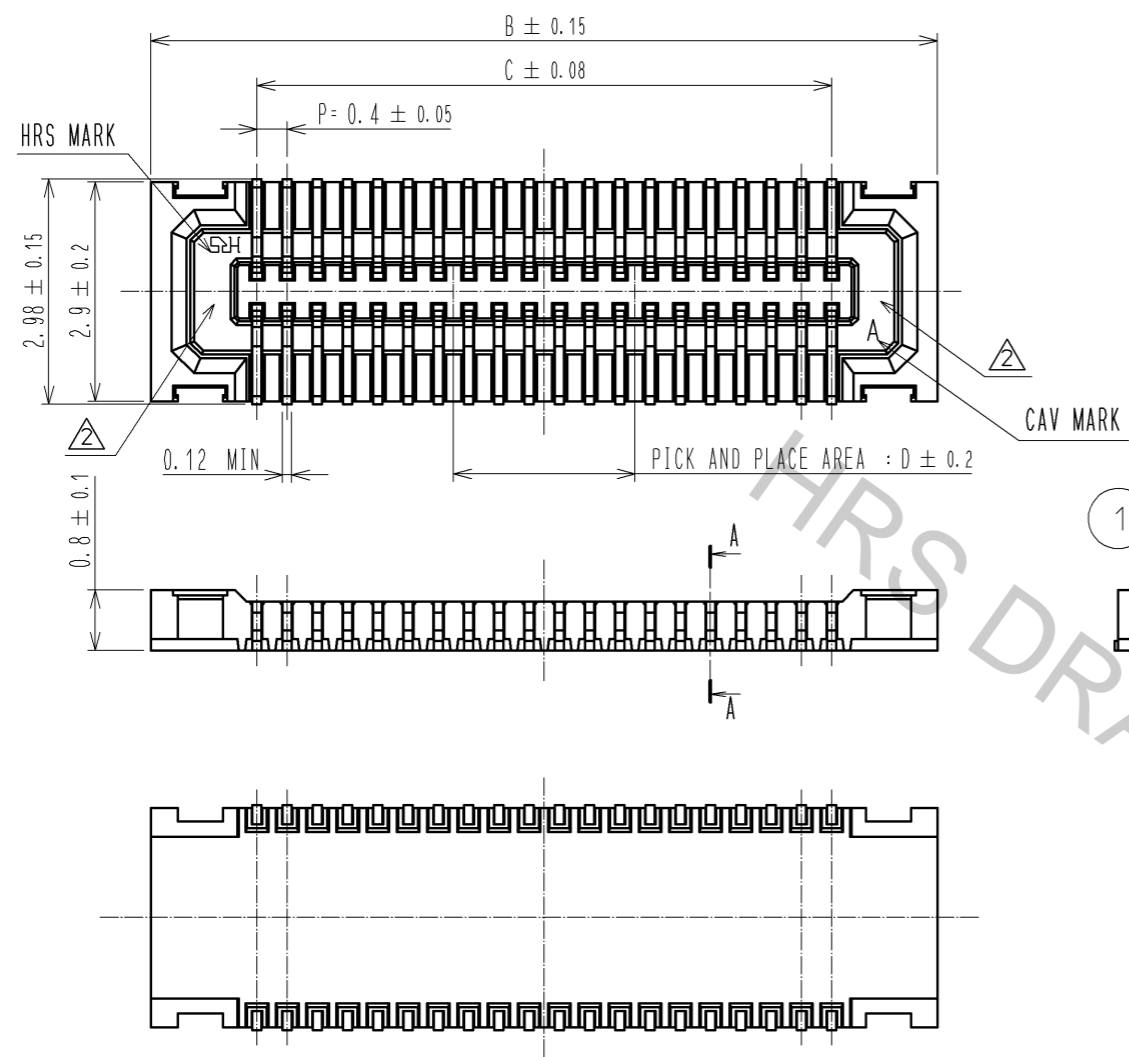
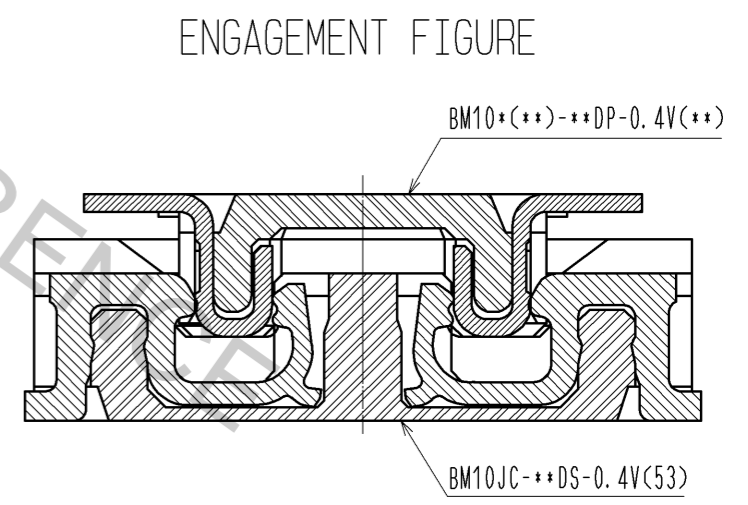
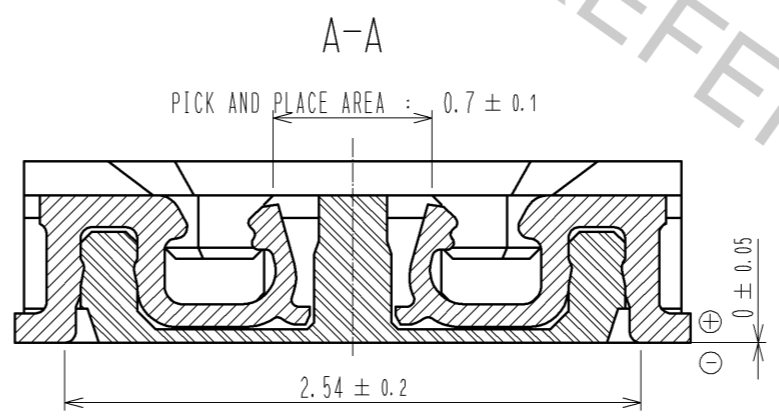


Apr.1.2017 Copyright 2017 HIROSE ELECTRIC CO., LTD. All Rights Reserved.



RECOMMENDED SOLDER PASTE : THICKNESS 120μm

- NOTE 1. ALL LEADS CO-PLANARITY SHALL BE 0.1 MAX.  
 2. PER REEL : 1000 CONNECTORS.  
 3. AT THE BEGINNING OF THE REEL, 100 mm AT MIN SHALL BE EMPTY POCKETS.  
 AT THE END OF THE REEL, 160 mm AT MIN SHALL BE EMPTY.  
 4 CONTACT PLATING SPECIFICATIONS.  
 CONTACT AREA : GOLD 0.05μm MIN.  
 SMT LEAD : GOLD 0.05μm MIN.  
 UNDERPLATING : NICKEL 1μm MIN.  
 (SURFACE : SEALING)  
 5. PEEL FORCE OF COVER TAPE REFERS TO JIS C 0806.  
 6 REFER TO PAGE 3 FOR EMBOSS CASE OF LESS THAN EQUAL TO 20 PINS CONNECTORS.



PART No.	CODE No.	B	C	D
BM10JC-10DS-0.4V(53)	CL684-6061-0-53	4.40	1.6	0.8
BM10JC-16DS-0.4V(53)	CL684-6059-9-53	5.60	2.8	1.6
BM10JC-20DS-0.4V(53)	CL684-6057-3-53	6.40	3.6	1.6
BM10JC-24DS-0.4V(53)	CL684-6049-5-53	7.20	4.4	2.0
BM10JC-30DS-0.4V(53)	CL684-6051-7-53	8.40	5.6	2.0
BM10JC-34DS-0.4V(53)	CL684-6063-6-53	9.20	6.4	2.4
BM10JC-40DS-0.4V(53)	CL684-6053-2-53	10.40	7.6	2.4
BM10JC-44DS-0.4V(53)	CL684-6073-0-53	11.20	8.4	2.8
BM10JC-50DS-0.4V(53)	CL684-6065-1-53	12.40	9.6	2.8
BM10JC-60DS-0.4V(53)	CL684-6055-8-53	14.40	11.6	3.2

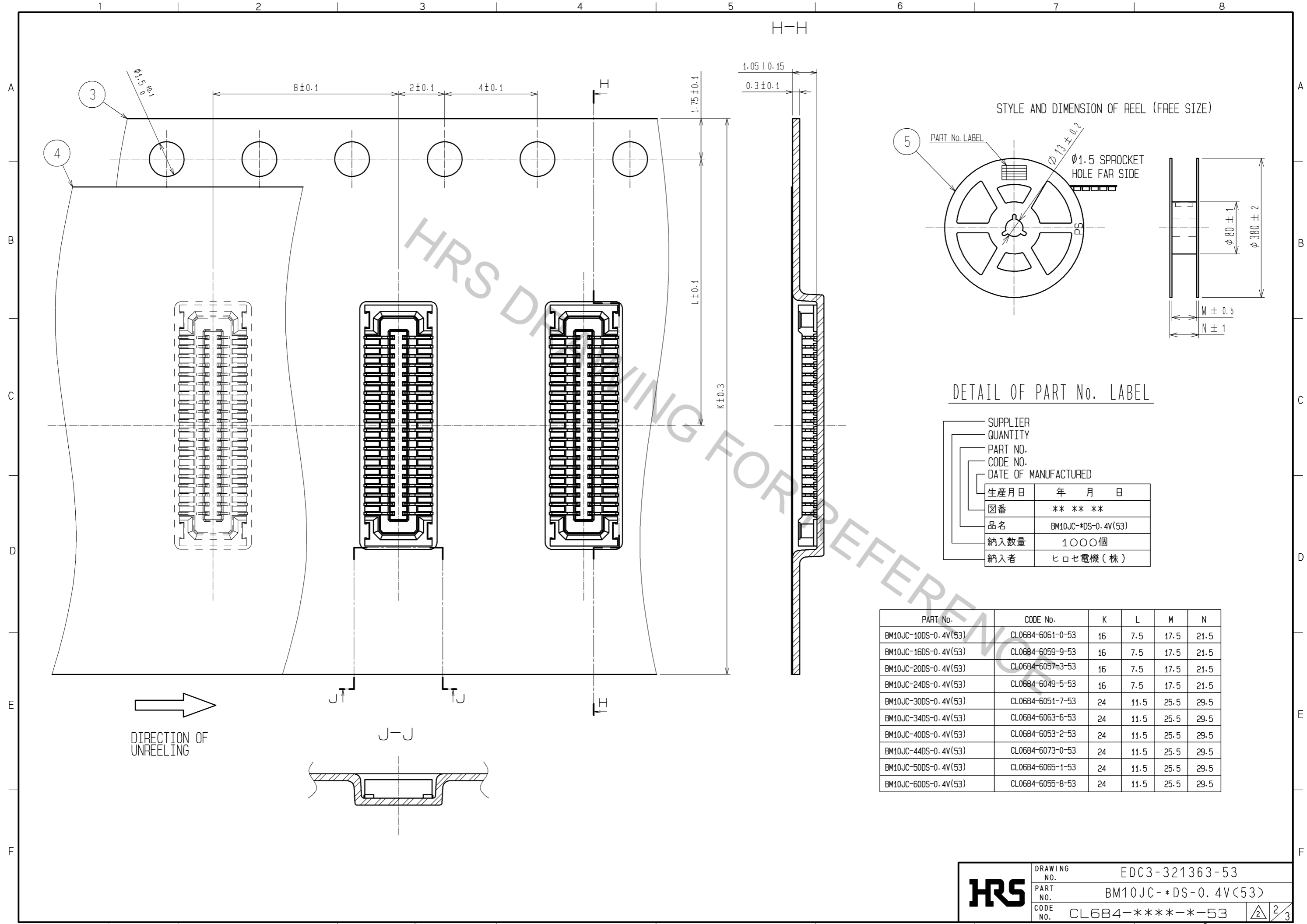
NO.	MATERIAL	FINISH	REMARKS	NO.	MATERIAL	FINISH	REMARKS
2	PHOSPHOR BRONZE	4		5	PS		PLASTIC REEL (BLACK)
1	LCP		UL94V-0. BLACK	4	POLYESTER		CLEAR(COVER TAPE)
				3	PS		CLEAR(EMBOSS CARRIER TAPE)

UNITS	SCALE	COUNT	DESCRIPTION OF REVISIONS	DESIGNED	CHECKED	DATE
mm	10:1	2	DIS-H-004685	KR. AJITO	TS. MIYAZAKI	10.03.27

APPROVED	DATE	DRAWING NO.
KH. IKEDA	09.06.09	EDC3-321363-53
CHECKED	DATE	PART NO.
KY. MIDORIKAWA	09.06.09	BM10JC-*DS-0.4V(53)
DESIGNED	DATE	CODE NO.
SH. HOSODA	09.06.08	CL684-****-*-53
DRAWN	DATE	
SH. HOSODA	09.03.03	



STYLE AND DIMENSION OF REEL (FREE SIZE)

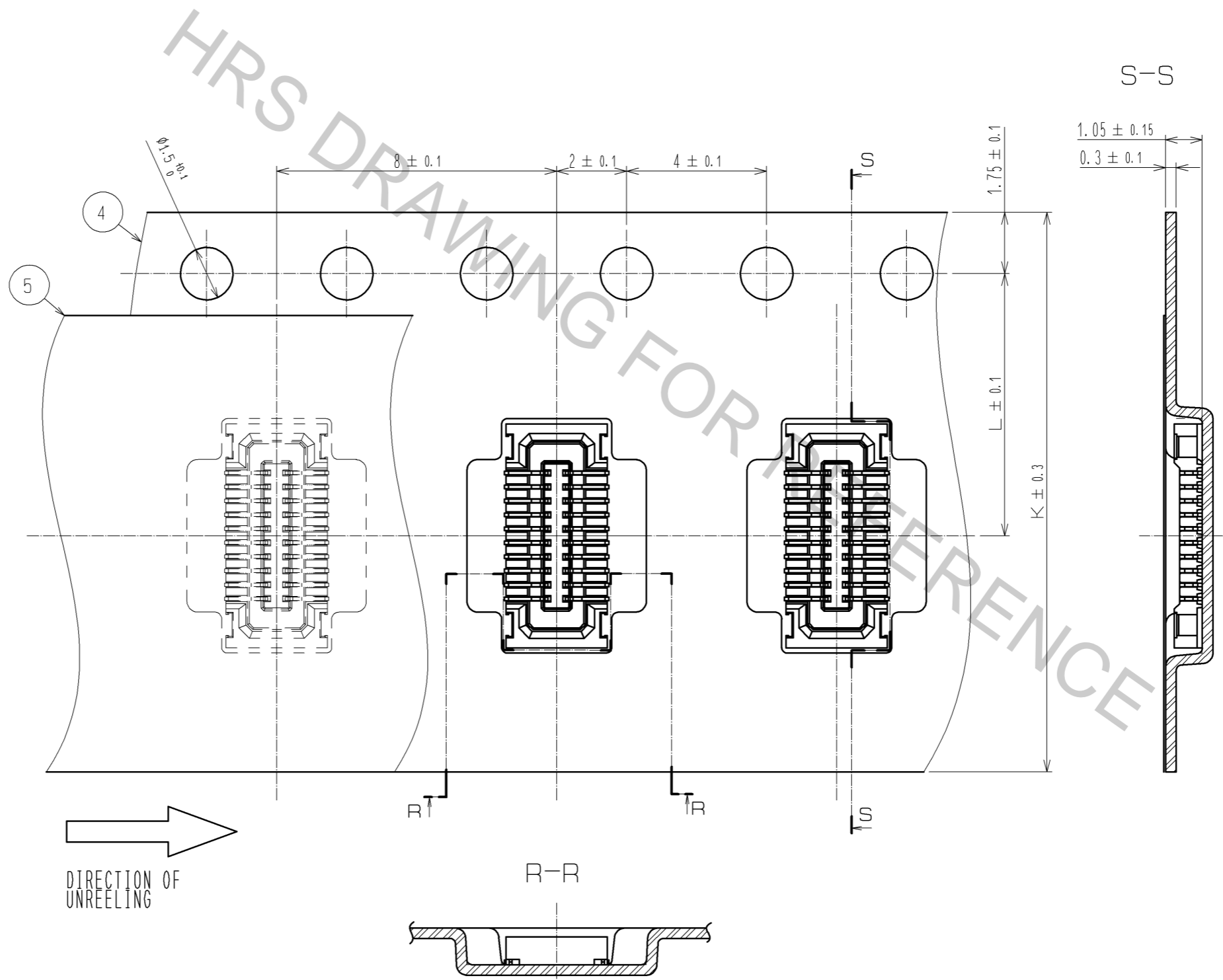
DETAIL OF PART No. LABEL

SUPPLIER	
QUANTITY	
PART NO.	
CODE NO.	
DATE OF MANUFACTURED	
生産月日	年 月 日
図番	** ** *
品名	BM10JC-*DS-0.4V(53)
納入数量	1000個
納入者	ヒロセ電機(株)

PART No.	CODE No.	K	L	M	N
BM10JC-10DS-0.4V(53)	CL0684-6061-0-53	16	7.5	17.5	21.5
BM10JC-16DS-0.4V(53)	CL0684-6059-9-53	16	7.5	17.5	21.5
BM10JC-20DS-0.4V(53)	CL0684-6057-3-53	16	7.5	17.5	21.5
BM10JC-24DS-0.4V(53)	CL0684-6049-5-53	16	7.5	17.5	21.5
BM10JC-30DS-0.4V(53)	CL0684-6051-7-53	24	11.5	25.5	29.5
BM10JC-34DS-0.4V(53)	CL0684-6063-6-53	24	11.5	25.5	29.5
BM10JC-40DS-0.4V(53)	CL0684-6053-2-53	24	11.5	25.5	29.5
BM10JC-44DS-0.4V(53)	CL0684-6073-0-53	24	11.5	25.5	29.5
BM10JC-50DS-0.4V(53)	CL0684-6065-1-53	24	11.5	25.5	29.5
BM10JC-60DS-0.4V(53)	CL0684-6055-8-53	24	11.5	25.5	29.5

<b>HRS</b>	DRAWING NO.	EDC3-321363-53
	PART NO.	BM10JC-*DS-0.4V(53)
	CODE NO.	CL684-****-*53
		2/3

6 EMBOSS CASE OF LESS THAN OR EQUAL TO 20 PINS CONNECTORS



DIRECTION OF UNREELING

<b>HRS</b>	DRAWING NO.	EDC3-321363-53
	PART NO.	BM10JC-*DS-0.4V(53)
	CODE NO.	CL-684-****-*53
		$\frac{3}{3}$

Apr.1.2017 Copyright 2017 HIROSE ELECTRIC CO., LTD. All Rights Reserved.