

PLEASE CHECK WWW.MOLEX.COM FOR LATEST PART INFORMATION

Part Number: [0352840610](#)
Status: **Active**
Description: 2.28mm Tab Wire-to-Wire Uniconn Housing, Female, 6 Circuits

Documents:

[3D Model](#) [Packaging Specification PK-35284-001 \(PDF\)](#)
[Drawing \(PDF\)](#) [RoHS Certificate of Compliance \(PDF\)](#)
[Product Specification PS-35282-001 \(PDF\)](#)

General

Product Family	Crimp Housings
Series	35284
Application	Power, Wire-to-Wire
Product Name	Uniconn

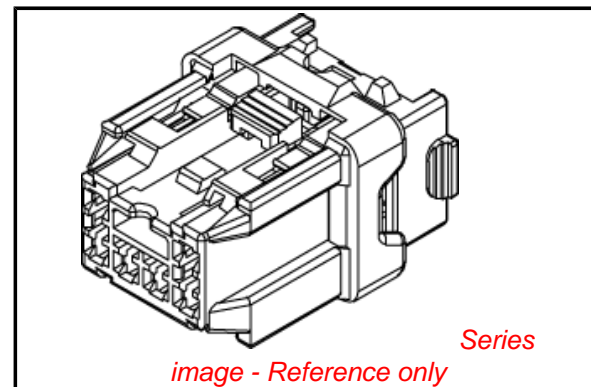
Physical

Circuits (maximum)	6
Color - Resin	Black, Natural
Gender	Female
Glow-Wire Compliant	No
Material - Resin	Polyester
Number of Rows	2
Packaging Type	Bag
Panel Mount	No
Pitch - Mating Interface	3.81mm
Temperature Range - Operating	-40°C to +80°C

Material Info

Reference - Drawing Numbers

Packaging Specification	PK-35284-001
Product Specification	PS-35282-001
Sales Drawing	SD-35284-001, SD-35284-0610



EU RoHS

ELV and RoHS Compliant
REACH SVHC
Contains SVHC: No
Low-Halogen Status
Low-Halogen

China RoHS



Need more information on product environmental compliance?

Email productcompliance@molex.com
 For a multiple part number RoHS Certificate of Compliance, [click here](#)

Please visit the [Contact Us](#) section for any non-product compliance questions.

Search Parts in this Series

35284Series

Mates With

35282

Use With

35420 , 35421