

1 2 3 4 5 6

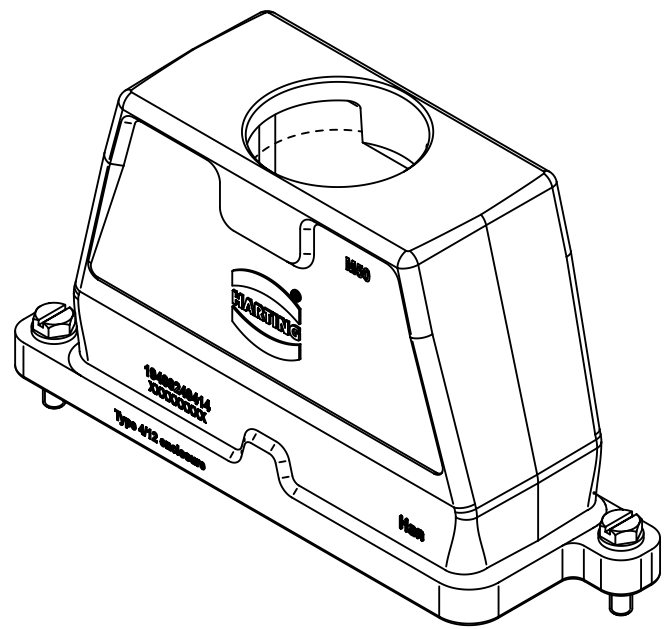
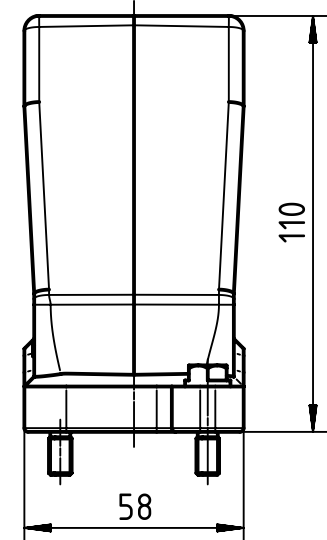
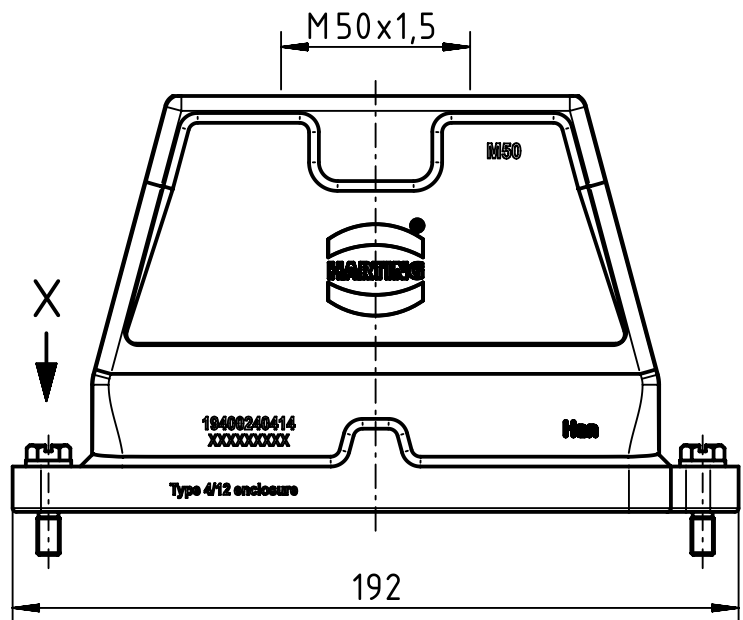
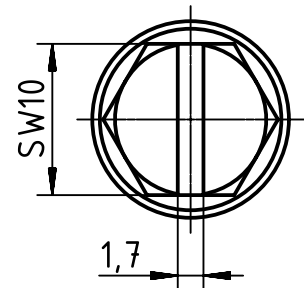
A

B

C

D

X (2:1)



	All Dimensions in mm Original Size DIN A4	Scale 1:2		Free size tol.		Ref.	
						Sub. TB 19 40 024 0414 v. 10.01.11	
	All rights reserved Department EL PD - DE	Created by	Inspected by	Standardisation	Date	State	
		FINKEV	GERB	TIEMANNA	2015-11-13	Final Release	
HARTING Electric GmbH & Co. KG D-32339 Espelkamp		Title				Doc-Key / ECM-Nr.	
		Han 24HPR Hood Top Entry M50 Screw Lock				100201950/UGD/004/B 500000094164	
		Type	Number		Rev.	Page	
		TB	19 40 024 0414		B	1/1	