

4

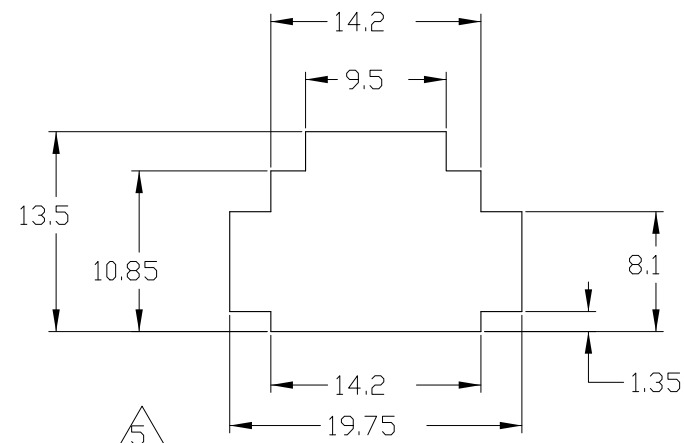
3

2

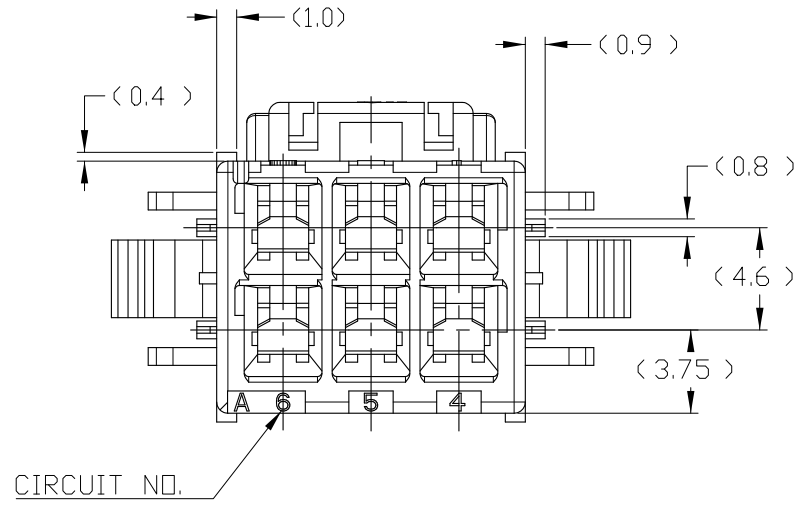
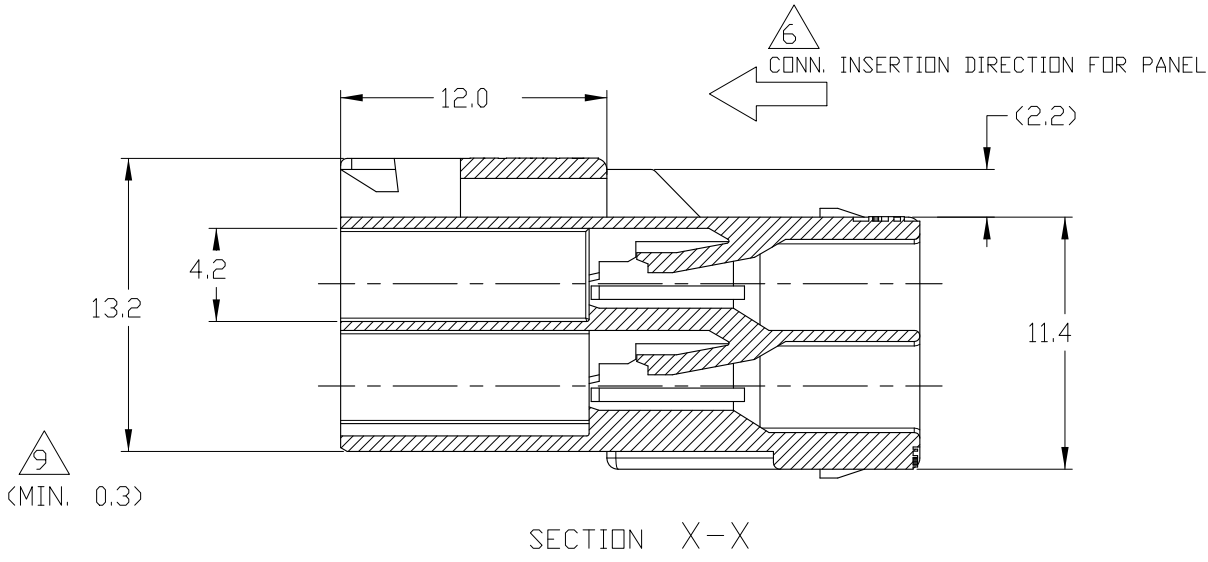
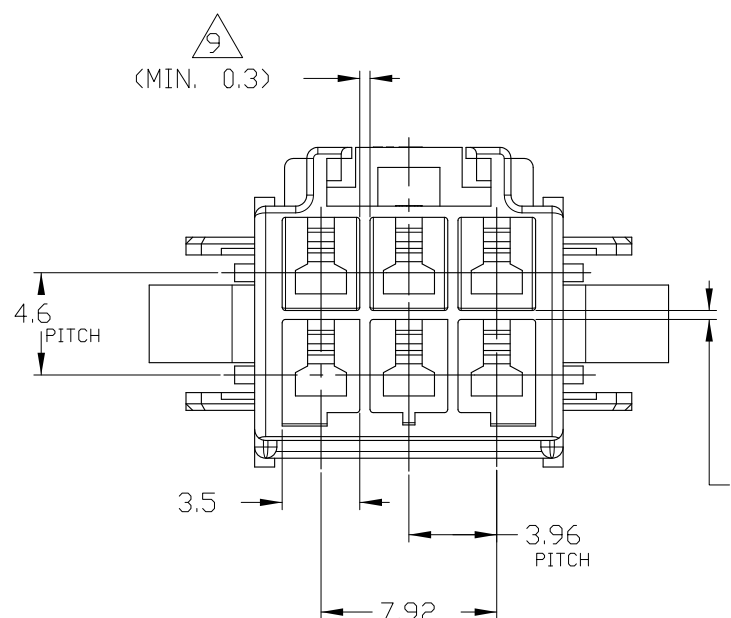
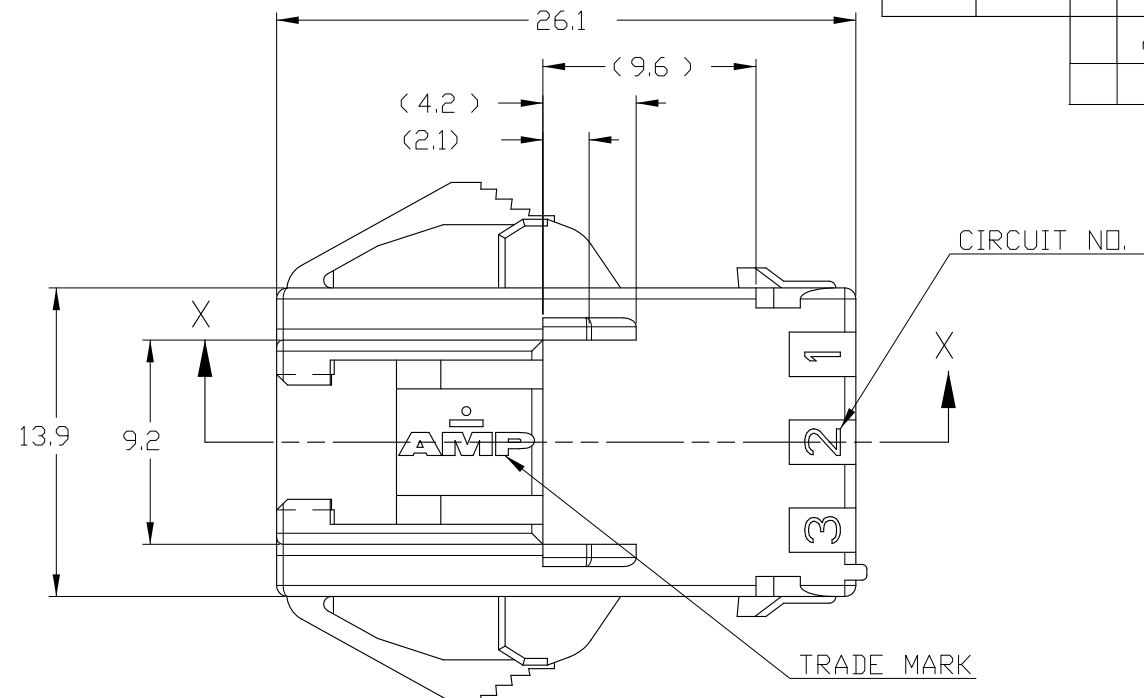
1

THIS DRAWING IS UNPUBLISHED. RELEASED FOR PUBLICATION 20  
 © COPYRIGHT 20 BY TYCO ELECTRONICS CORPORATION. ALL RIGHTS RESERVED.

LOC	DIST	REVISIONS					
DS	-	P	LTR	DESCRIPTION	DATE	DWN	APVD
			A	RELEASED	14.MAR'07	SC	JK
			B	REVISED (ECR-09-011788)	25.MAY'09	SC	JK



(FIG 1.) RECOMMENDED PANEL OPENING DIMENSION  
TOLERANCES: ±0.15



- NOTE;
- APPLICABLE CONTACT P/N  
 -TAB CONTACT: 177917- □(AWG#16-#20)  
 177916- □(AWG#22-#26)
  - MATING CONN. P/N  
 -PLUG HSG: 368576- □  
 -REC CONTACT: 177915- □(AWG#16-#20)  
 177914- □(AWG#22-#26)
  - APPLICABLE DOUBLE LOCK PLATE: 177919-1  
 \*IT SHOULD BE USED CERTAINLY WHEN CABLE ASS'Y
  - GENERAL TOLERANCES: ±0.3
  - APPLICABLE PANEL THICKNESS: 0.8~2.0 (SEE FIG 1.)
  - INSERT CONN. FROM PRESS DIRECTION SIDE FOR METAL PANEL.
  - EDGE OF THICKNESS MAY MUST DOT ROUND FOR MOLDED PANEL.
  - ACCORDING TO IEC 60335-1 4.2 EDITION  
 -PART MEETS GWT 750° & 850°C.  
 -MATERIAL MEETS BALL PRESSURE TESTING AT 125°C.  
 -MATERIAL HAS CTI VALUE OF 250V.
  - MIN. THICKNESS OF INSULATING WALL

(B)	368588-6	BLUE
(B)	368588-4	YELLOW
(B)	368588-1	NATURAL
	P/N	COLOR

DIMENSIONS:		TOLERANCES UNLESS OTHERWISE SPECIFIED		DWN		Tyco Electronics		AMP KOREA		
mm		0 PLC	±-	SC KIM		Kyungsan, Korea				
		1 PLC	±0.3	CHK	BW KANG	NAME				
		2 PLC	±0.10	APVD	JK SONG	PDL 6P CAP HSG 3.96mm D/R P/M (GWT)				
		3 PLC	±0.001	PRODUCT SPEC		108-61106	SIZE	CAGE CODE	DRAWING NO	RESTRICTED TO
		4 PLC	±0.0001	APPLICATION SPEC		-	A3	00779	C-	368588
		ANGLES	±-	WEIGHT		-	SCALE	#	SHEET	1 OF 1
MATERIAL	(B)	FINISH	-	CUSTOMER DRAWING					REV	B
	PA66(UL94V-0)									