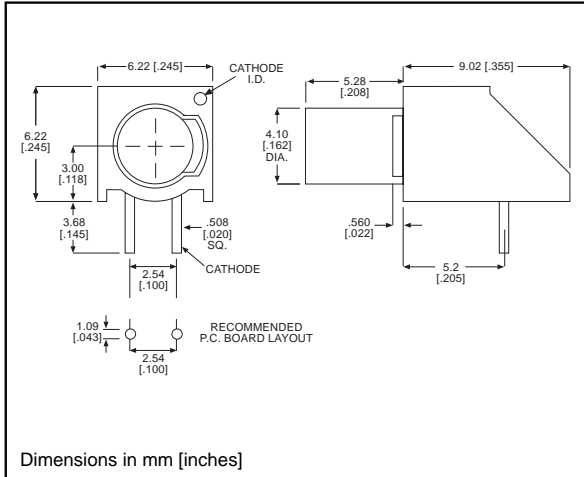


4mm Flat Top LED CBI® Circuit Board Indicator Sloped Back Housing

Dialight

550-6x07



PART NO.
550-6207
550-6307
550-6407

COLOR
Green
Yellow
Red

Features

- Multiple CBIs form horizontal LED arrays on 6.35mm (0.250") center-lines.
- Flat LED provides flush panel appearance and wide viewing angle
- High Contrast, UL 94 V-0 rated, black housing
- Oxygen index: 32%
- Polymer content: PBT, 0.596 g
- Housing stand-offs facilitate PCB cleaning
- Solderability per MIL-STD-202F, method 208F
- LEDs are safe for direct viewing per IEC 825-1, EN-60825-1
- Compatible with 552-60xx-200

Tolerance note: As noted, otherwise:

- LED Protrusion: ±0.04 mm [±0.016]
- CBI Housing: ±0.02mm[±0.008]

Typical Operating Characteristics (T_A=25°C)

See LED data sheet for additional information
See Page 5-20 and 5-21 for Reference Only LED Drive Circuit Example
See Page 5-22 for Pin Out

Part Number	Color	Peak Wavelength nm	I _v mcd	V _F Volts	Test Current (mA)	Viewing Angle 2θ%	LED Data sheet	Page #
550-6207	Green	565	12.6	2.1	20	150°	521-9708	5-19
550-6307	Yellow	585	8.7	2.1	20	150°	521-9707	5-19
550-6407	Red	630	8.7	2	20	145°	521-9706	5-19

5

4mm Discrete LED

Flat Top

Tinted, Diffused

Dialight

521-970x



PART NO.

521-9706

521-9707

521-9708

COLOR

Red

Yellow

Green

ABSOLUTE MAXIMUM RATINGS ($T_A=25^\circ\text{C}$)

	Red -9706	Yellow -9707	Green -9708
Power Dissipation (mW)	100	60	100
Derating (mA/°C) From 50°C	.4	.25	.4
Forward Current (mA)	30	20	30
Peak Current (mA) <i>Pulse width = 100μs</i>	120	80	120
Operating Temperature (°C)	-55/+100	-55/+100	-55/+100
Storage Temperature (°C)	-55/+100	-55/+100	-55/+100
Soldering Temperature	260°C, 5 seconds, 1.6 mm from case		

Solder Adherence per MIL-STD-202E, Method 208C

OPERATING CHARACTERISTICS ($T_A=25^\circ\text{C}$)

		Red -9706	Yellow -9707	Green -9708
Luminous Intensity (mcd)	Min.	2.5	5.6	8.7
	Typical	8.7	8.7	12.6
Peak Wavelength (nm) λ_{Peak}	Typical	630	585	565
Viewing Angle ($2\theta_{\frac{1}{2}}$)	Typical	145°	150°	150°
Forward Voltage (V)	Typical	2	2.1	2.1
	Max.	2.8	2.8	2.8
Reverse Voltage (V), $I_R=100\mu\text{A}$	Min.	5	5	5

$\theta_{\frac{1}{2}}$ is the off axis angle at which the luminous intensity is half the axial luminous intensity

5