

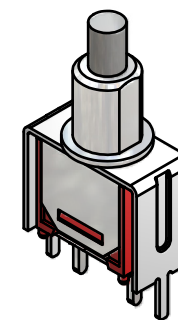
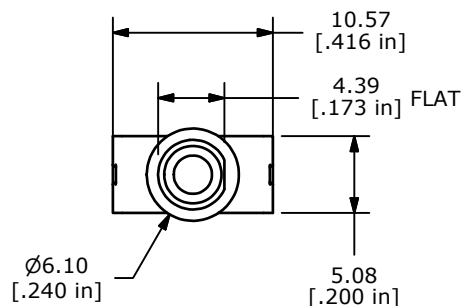
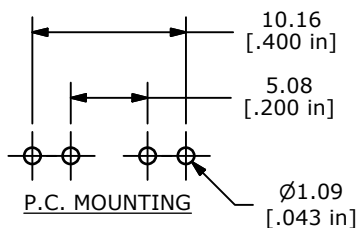
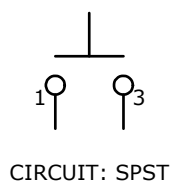


| SWITCH FUNCTION | |
|---|---|
| POS. 1 | POS. 2 |
|  |  |
| OFF | (ON) |
| OPEN | 1-3 |

(ON)=MOMENTARY

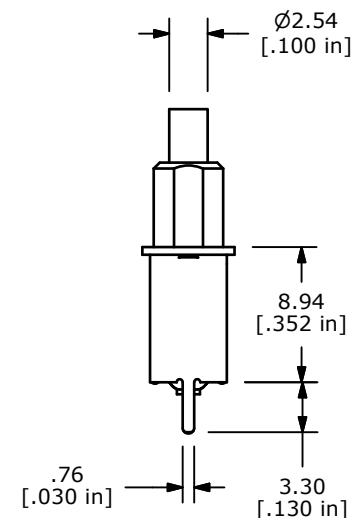
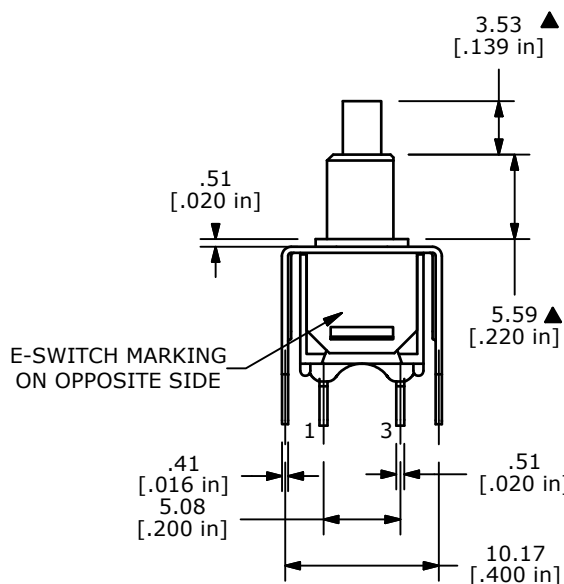


ISOMETRIC



NOTE:

1. ALL DIMENSIONS IN MM [INCH]
2. GENERAL TOLERANCE: X.X=±0.4
X.XX=±0.25
3. TERMINAL NUMBERS FOR REF ONLY
- ▲ 4. CONTACT MATERIAL: SILVER
- ▲ 5. RATING: 1A @ 250 VAC
3A @ 120 VAC OR 28 VDC
6. MECHANICAL LIFE: 50,000 MAKE-AND-BREAK CYCLES
7. CONTACT RESISTANCE: 20 mΩ MAX. INITIAL @ 2-4VDC
100mA FOR BOTH GOLD AND SILVER CONTACTS
8. INSULATION RESISTANCE: 1,000 MEGA-OHM MIN.
9. DIELECTRIC STRENGTH: 1,000 V RMS @SEA LEVEL.
10. OPERATING TEMP.: -30°C to 85°C
11. ▲ DENOTES CRITICAL PARAMETER.
12. 2002/95/EC (ROHS) COMPLIANT



TITLE 800SP9B6VS2QE

| | | | | |
|-----|--------|----------------|----------|-----|
| B | 19972 | UPDATE DRAWING | 06/01/11 | BMA |
| REV | PCR NO | DESCRIPTION | DATE | BY |

| | | | | |
|-------|----------|-----|---------|-----|
| SCALE | DATE | DR | DWG | REV |
| 2:1 | 6/1/2011 | BMA | T811034 | B |

THE INFORMATION CONTAINED IN THIS DOCUMENT IS PROPRIETARY TO E-SWITCH AND IS NOT TO BE COPIED OR TRANSFERRED