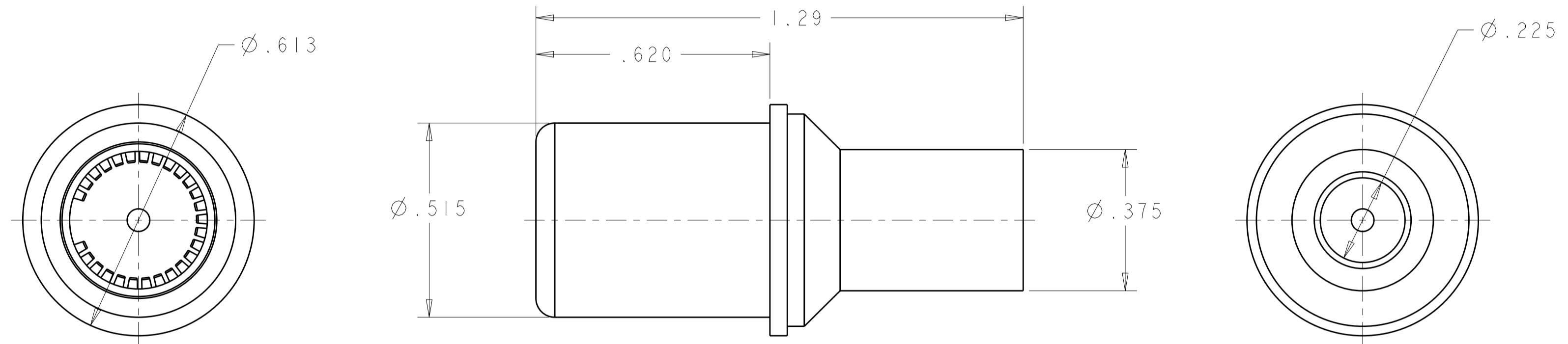


THIS DRAWING IS UNPUBLISHED. RELEASED FOR PUBLICATION 20  
 © COPYRIGHT 20 BY TYCO ELECTRONICS CORPORATION. ALL RIGHTS RESERVED.

LOC	DIST	REVISIONS					
GP	00	P	LTR	DESCRIPTION	DATE	DWN	APVD
			A	RELEASED	13JAN2009	RG	DO



1. PART NUMBER CHANGES AND OR DESIGN CHANGES AFFECTING THE INTERCHANGEABILITY REQUIRE PRIOR TYCO ELECTRONICS APPROVAL AND AUTHORIZATION BY REVISION TO THIS DRAWING.

2 MATERIAL;  
 SOCKET BODY: COPPER ALLOY  
 CROWN BAND: COPPER ALLOY

3 FINISH:  
 SOCKET BODY: SILVER PLATE .000200 MIN THK. OVER NICKEL .000040 MIN. THK.  
 CROWN BAND: GOLD PLATE .000030 MIN THK. OVER NICKEL .000050 MIN THK.

4. ITEMS PROVIDED TO THIS SPECIFICATION TO BE PERMANENTLY IDENTIFIED ON THE CONTAINER WITH THE FOLLOWING IDENTIFIER:

TYCO ELECTRONICS P/N: XXXXXXXX-X  
 DATE CODE (e.g. 0216): YEAR 1 WEEK 1  
 XXXX

AS SHOWN	6648424-1
DESCRIPTION	PART NUMBER

<small>THIS DRAWING IS A CONTROLLED DOCUMENT FOR TYCO ELECTRONICS CORPORATION. IT IS SUBJECT TO CHANGE AND THE CONTROLLING ENGINEERING ORGANIZATION SHOULD BE CONTACTED FOR THE LATEST REVISION.</small>		DWN R. GRZYBOWSKI 13JAN2009 CHK D. ORRIS 13JAN2009 APVD M. PERCHERKE 13JAN2009	Tyco Electronics Harrisburg, PA 17105-3608
DIMENSIONS: INCHES 	TOLERANCES UNLESS OTHERWISE SPECIFIED: 0 PLC ± 1 PLC ±.02 2 PLC ±.010 3 PLC ±.010 4 PLC ±.010 ANGLES ±3 FINISH	PRODUCT SPEC 108-2285 APPLICATION SPEC 114-13206 WEIGHT -	NAME SOCKET CONTACT, SIZE No. 0 W/ SIZE No. 6 CRIMP BARREL DRAWERS SIZE A2 CAGE CODE 00779 DRAWING NO. 6648424 RESTRICTED TO -
MATERIAL 2 -	FINISH 3 -	CUSTOMER DRAWING	SCALE 4:1 SHEET 1 OF 1 REV A

**ELCON CONTACTS**