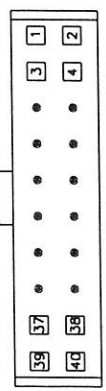


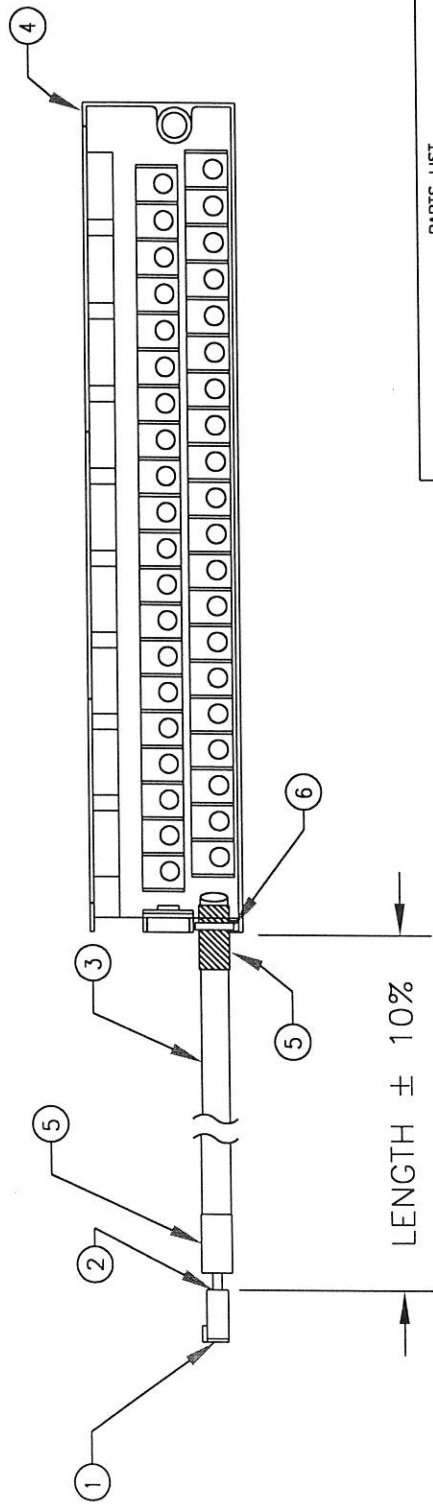
REV. DESCRIPTION		DATE	CMPLT. BY	APPRV.

GE TERMINAL BLOCK  
PIN NUMBERS

2	1
4	3
6	5
8	7
10	9
12	11
14	13
16	15
18	17
20	19
22	21
24	23
26	25
28	27
30	29
32	31
34	33
36	35
38	37
40	39



CRIMP AND POKE CONNECTOR  
PIN NUMBERS  
(WIRE INSERTION SIDE)



NOTES:

1. CUT CABLE AND STRIP CONDUCTORS AS REQUIRED TO ACHIEVE LENGTH SPECIFIED IN TABLE.
2. CUT UNUSED WIRE ENDS BACK TO THE JACKET BEFORE HEATING SHRINK TUBING.

PARTS LIST

BUB. #	DESCRIPTION	QTY.
1	CONNECTOR, 40-PIN, FEMALE	1
2	CRIMP AND POKE TERMINAL	40
3	CABLE, 40-COND, 22AWG	A/R
4	TERMINAL BLOCK, IC697ACC700	1
5	SHRINK TUBING	100mm
6	TIE WRAP, NYLON, 4"	6

CATALOG NO.	LENGTH (m)
998185	0.5
998186	1.0
998187	1.5
998188	2.0

**Weidmüller**  
WEIDMULLER INC.  
821 SOUTHLAKE BLVD.  
RICHMOND, VIRGINIA 23236

CAT. NO. VARIOUS  
DRWN BY DLC  
APPROVED [Signature]  
REL. DATE 1/20/98

P/N  DWG.  PROD.  INSP.  
 OTHER

TOLERANCE ON :  
.X = +/- 0.508 mm  
.XX = +/- 0.127 mm  
.XXX = +/- 0.30 mm  
UNLESS OTHERWISE SPECIFIED ALL DIMENSIONS ARE IN MILLIMETERS  
( ) INDICATES REFERENCE DIMENSIONS

FPA/C 697MDL240

PRODUCTION RELEASE PAGE 1 SCALE: DO NOT SCALE SIZE: A SHEET 1 OF 2

PROPRIETARY RIGHTS :  
THIS DOCUMENT, DESIGN, DRAWING AND CONCEPTS WHICH INVOLVE PROPRIETARY AND CONFIDENTIAL INFORMATION OF WEIDMULLER INC. AND THIS DOCUMENT OR ITS CONTENTS MAY NOT BE DISCLOSED TO OTHERS, WITHOUT THE WRITTEN AUTHORITY FROM WEIDMULLER INC. IN RICHMOND, VIRGINIA.

DRAWING NUMBER 1100363  
REV. 0