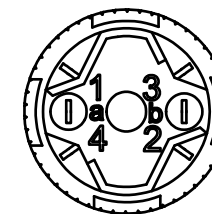
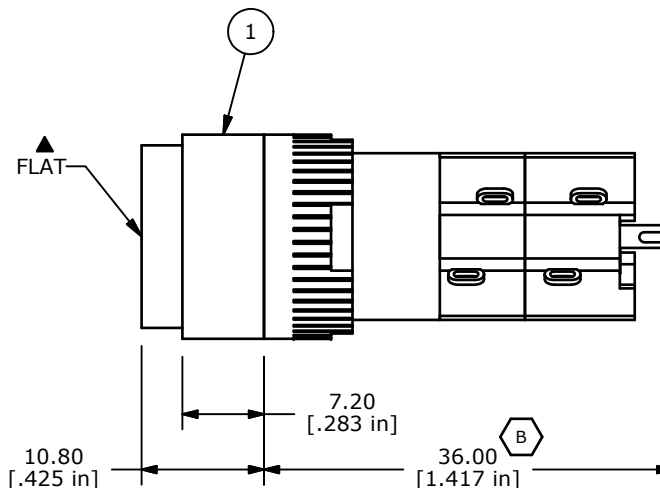
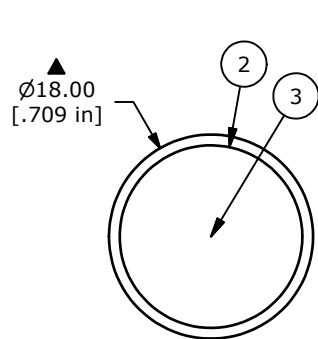
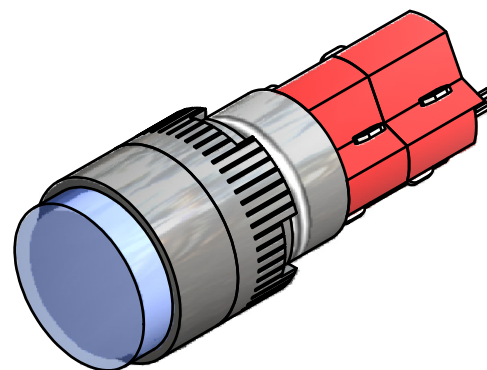
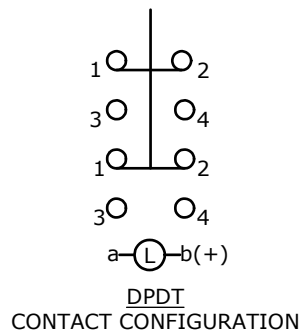


PANEL MOUNTING



- NOTE:
1. ALL DIMENSIONS IN MM [INCH].
 2. GENERAL TOLERANCE: X.X=±0.4
X.XX=±0.25
 3. TERMINAL NUMBERS FOR REF ONLY.
 - ▲4. CONTACT RATING: 5A @ 250VAC,
8A @ 125VAC,
6A @ 24VDC
 5. ELECTRICAL LIFE: 50,000 OPERATIONS
 6. INSULATION RESISTANCE: 1,000 MEGA-OHM MIN.
 7. CONTACT MATERIAL: SILVER PLATED COPPER ALLOY
 - ▲8. ACTUATION FORCE: 300g / POLE
 9. OPERATING TEMP.: -25°C to +55°C
 10. ▲ DENOTES CRITICAL PARAMETER.
 11. 2002/95/EC (ROHS) COMPLIANT

PARTS LIST			
ITEM	QTY	PART NUMBER	DESCRIPTION
1	1	F040016	D1EER12
2	1	F050111	50-001-11 BLUE LENS
3	1	F050405	50-004-05INCANDESCENT 28V AC/DC 40mA



B	19788	DRAWING CLEAN UP / UPDATE	3/23/11	BGL
REV	PCR NO	DESCRIPTION	DATE	BY

TITLE D16EER12CBLU				
SCALE	DATE	DR	DWG	REV
1.5:1	3/23/2011	BGL	XF0361P	B

THE INFORMATION CONTAINED IN THIS DOCUMENT IS PROPRIETARY TO E-SWITCH AND IS NOT TO BE COPIED OR TRANSFERRED