

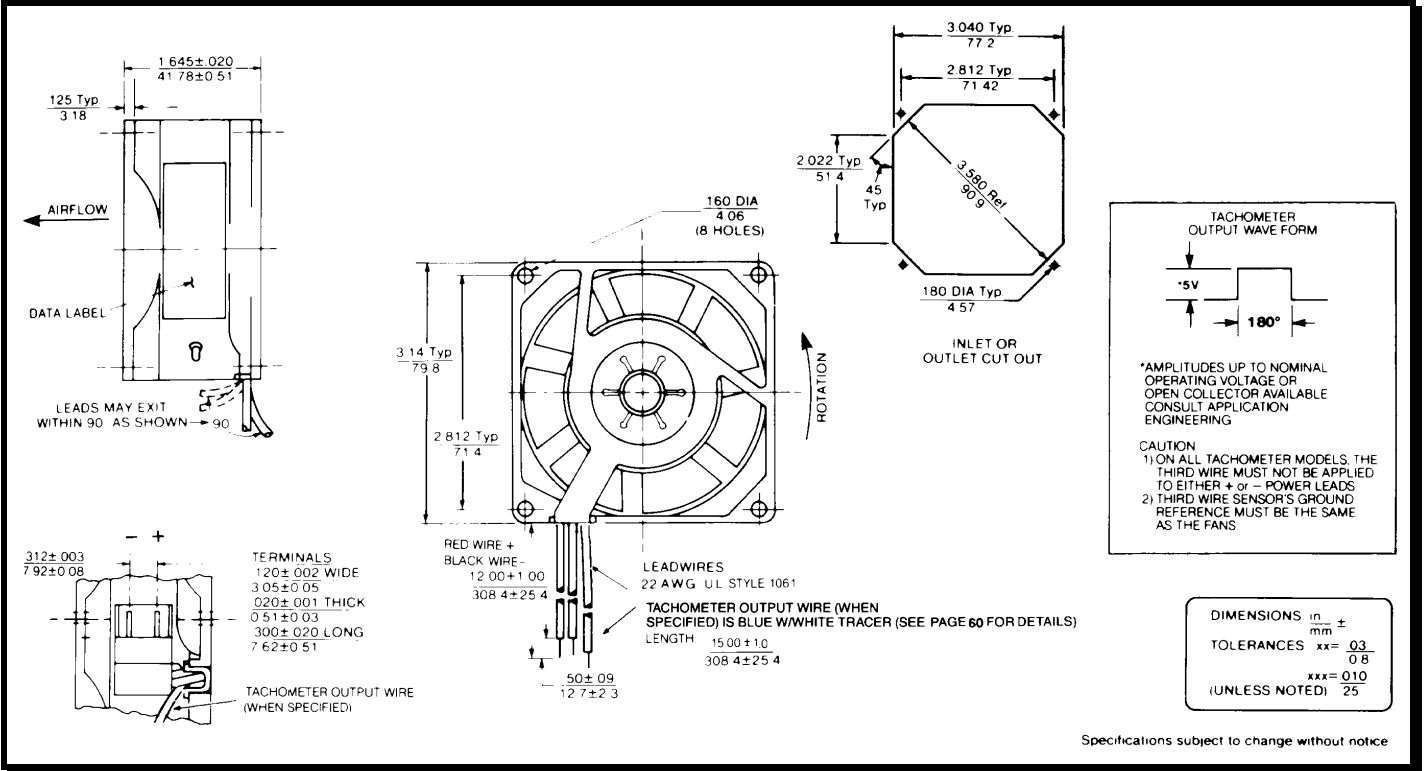
SPECIFICATIONS



Model Number: SD12B2
Part Number: 19032001A

September 25, 2001

Mechanical Drawing:



Motor:

Nominal Voltage = 12vdc
 Operating Voltage Range = 6 - 14vdc
 Nominal Running Current = 0.250 amps
 Locked Rotor Current = 1.20 amps
 Running Power = 3.0 watts
 Average Speed = 3500
 Bearings = Ball
 Air Flow = 35 CFM
 Acoustic = 47.6 dBA

Construction:

Venturi: Single Piece Die-Cast Zinc Alloy, Black
 Propeller: Polypropylene, Black, UL 94V-0

Life Expectancy:

This fan is designed for continuous duty life of 83,000 hours at 40°C

Additional Features:

Brushless DC Motor
 Polarity Protected
 Electronic Locked Rotor Protection
 Automatic Restart Capability
 Operating Temperature: -10°C to +70°C
 Storage Temperature: -40°C to +85°C

Termination:

2 Terminals

Agency Approvals:

UL, CE