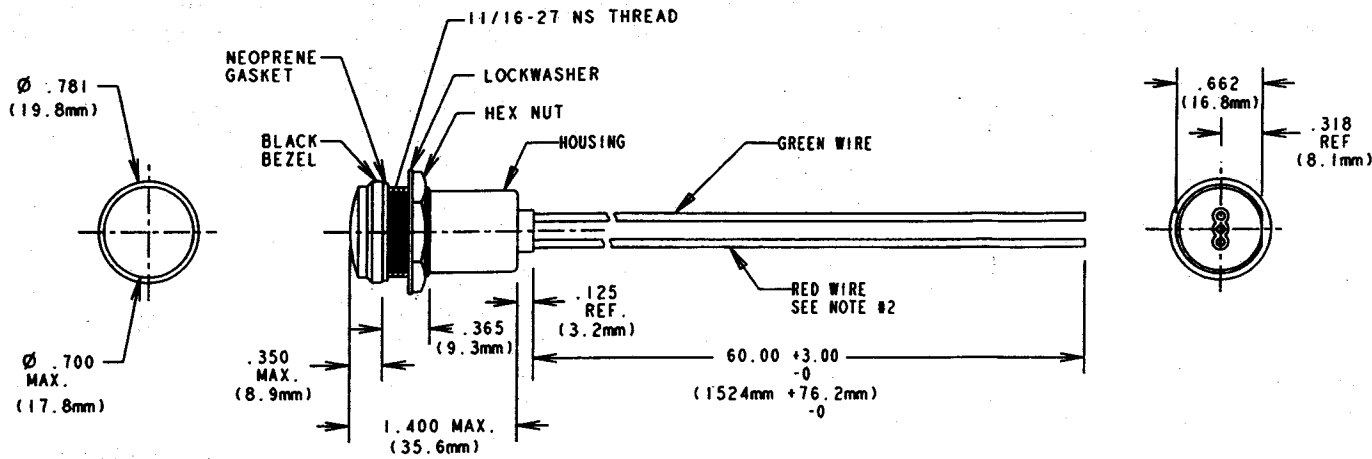
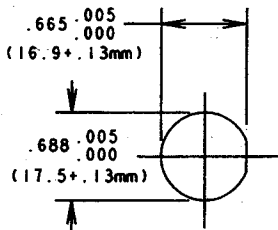


A	—	NEW RELEASE	DC	KD	N.O.	2-28-01
B	—	DIMENSION 60.00 +3.00/-0 WAS 58.00 +3.00/-0.	DC	277	N.O.	10-2-01

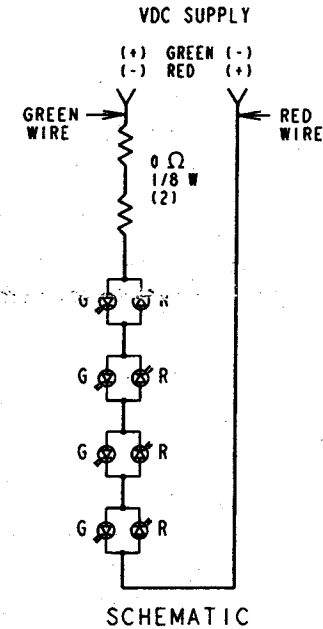


MAX. PANEL THICKNESS: .200  
SPACING & TO &: 1.000



RECOMMENDED MOUNTING HOLE

LED COLOR = RED/GREEN BI-COLOR						
OPERATING CHARACTERISTICS AT 25°C AMBIENT						
CHARACTERISTICS	COLOR	MIN	TYP	MAX	UNITS	TEST CONDITIONS
LUMINOUS INTENSITY	RED	29	90		mcd	I <sub>r</sub> = 20 mA
	GREEN	12.6	40			
FORWARD VOLTAGE	RED		1.8	2.4	V	I <sub>r</sub> = 20 mA
	GREEN		2.1	2.8		
REVERSE CURRENT	ALL			100	μA	V <sub>r</sub> = 5 V
PEAK WAVELENGTH	RED		660		nm	
	GREEN		565			
VIEWING ANGLE	ALL		60		Degree	
CAPACITANCE	RED		30		pF	V <sub>r</sub> = 0, f = 1 MHz
	GREEN		35			



NOTES:

- THIS PRODUCT REQUIRES EXTERNAL RESISTOR. (NO RESISTOR IN THIS PACKAGE.)
- LIGHT COLOR: RED & GREEN. RED WIRE TO (+) RED LIGHT ON. GREEN WIRE TO (+) GREEN LIGHT ON.
- WIRE LEADS: 24 AWG, 7/32 STRANDED PRE-BONDED, TYPE C MIL-W-168780 UL STYLE 1569; CSA TR-64. INSULATION PVC WITH VW-1 FLAME TEST APPROVED DESIGNATION.
- DIALIGHT PART NUMBER: 557-0001-816

ABSOLUTE MAXIMUM RATING AT 25°C AMBIENT			
	RED	GREEN	UNITS
POWER DISSIPATION	100	100	mW
CONTINUOUS FORWARD CURRENT	40	30	mA
DERATE LINEARLY FROM 50°C	0.5	0.4	mA/°C
PEAK FORWARD CURRENT (1/10 DUTY CYCLE, 0.1 ms PULSE WIDTH)	200	120	mA
REVERSE VOLTAGE	4	5	V
LEAD SOLDERING TEMPERATURE, 5 SEC., 1/16" FROM BODY	260		°C
OPERATING TEMPERATURE	-55 TO +100		°C
STORAGE TEMPERATURE	-55 TO +100		°C

THIS DRAWING AND THE CONTENTS HEREIN ARE CONFIDENTIAL AND THE SOLE PROPERTY OF DIALIGHT. REPRODUCTION OF THIS DRAWING OR CONSTRUCTION OF ANY PARTS WITHIN THIS DRAWING ARE FORBIDDEN WITHOUT THE WRITTEN CONSENT OF DIALIGHT.

SCALE 1:1	DRAWING NUMBER	REV
ALL DIM'S IN: INCHES (MM)	C-16800	B
TOLERANCES: UNLESS OTHERWISE SPECIFIED	TITLE MULTI LED PNI 11/16" DIA.	
FRACTIONS: ±1/64	MATERIAL	
DECIMALS (.XX): ±.020	Dialight	
DECIMALS (.XXX): ±.015	1501-ROUTE 34 SOUTH FARMINGDALE, NJ 07727	
ANGLES: ±5°	FINISH:	
FINISH:	FSCN 83330	
SHEET OF		FAMILY TABLE: