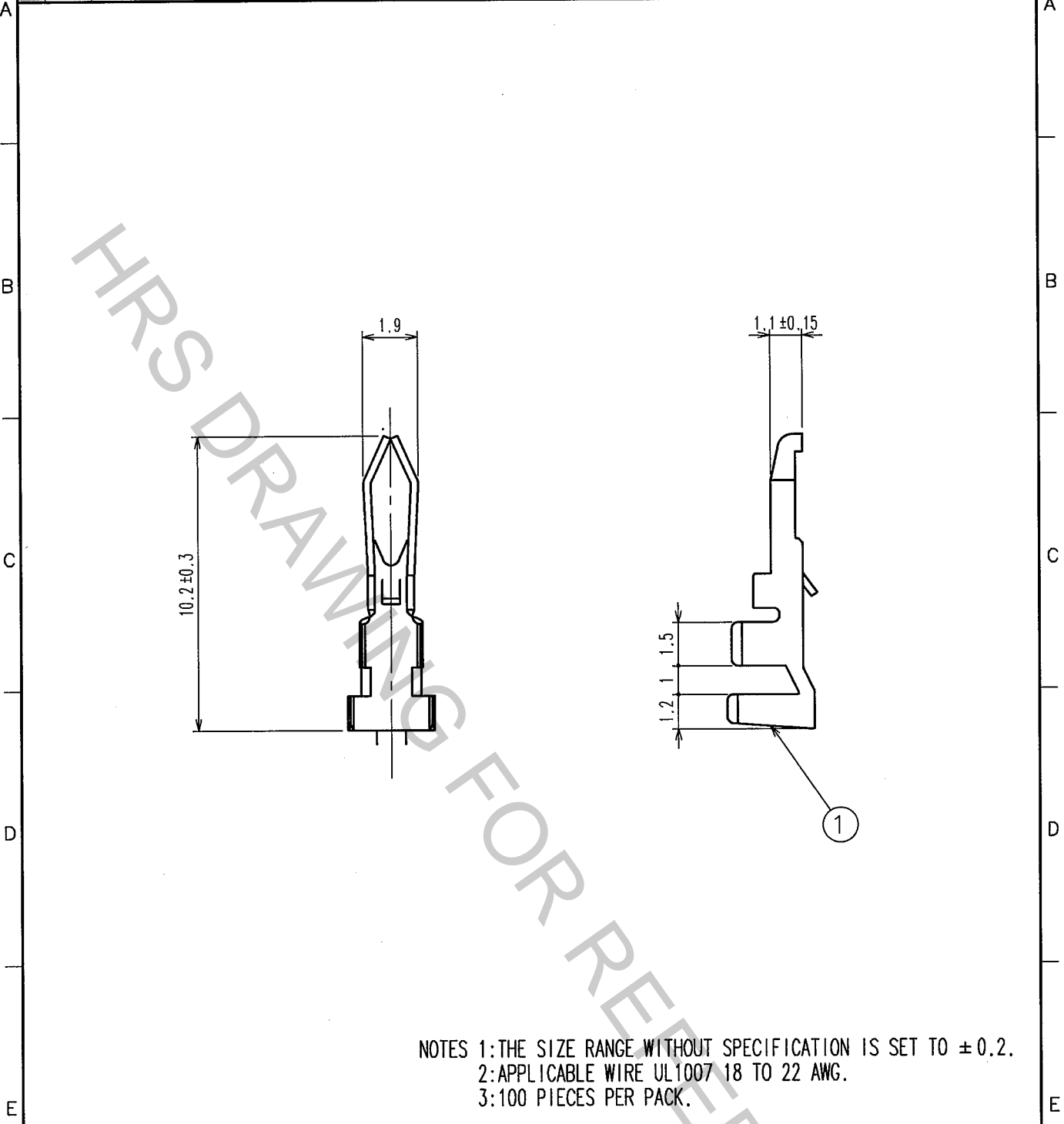


1		2			3			4		
COUNT	DESCRIPTION OF REVISIONS	BY	CHKD	DATE	COUNT	DESCRIPTION OF REVISIONS	BY	CHKD	DATE	
△				..	△				..	
△					△				..	
△					△				..	



NOTES 1: THE SIZE RANGE WITHOUT SPECIFICATION IS SET TO ± 0.2.  
 2: APPLICABLE WIRE UL1007 18 TO 22 AWG.  
 3: 100 PIECES PER PACK.

1	BRASS	SURFACE: TIN PLATED 2μm min UNDER PLATING: NICKEL PLATED 0.5μm min
---	-------	---

NO.	MATERIAL	FINISH, REMARKS	NO.	MATERIAL	FINISH, REMARKS
-----	----------	-----------------	-----	----------	-----------------

CODE NO. (OLD)		DRAWN	DESIGNED	CHECKED	APPROVED	RELEASED
		F. Matsuki '04.04.16	H. Umehara '04.04.16	T. Ono 04.04.16	T. Ono 04.04.16	

 SACLE 5 : 1 UNITS mm	DRAWING NO. EDC4-019535-01	PART NO. DF6-1822PC(05)
	 HIROSE ELECTRIC CO., LTD.	CODE NO. CL546-0010-2-05

TO