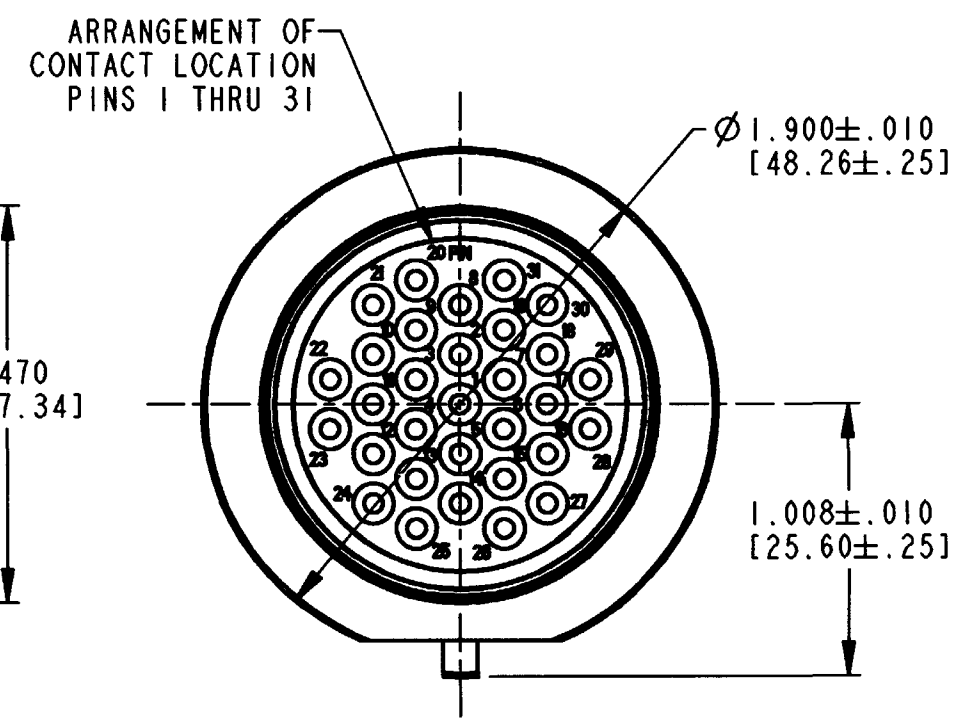
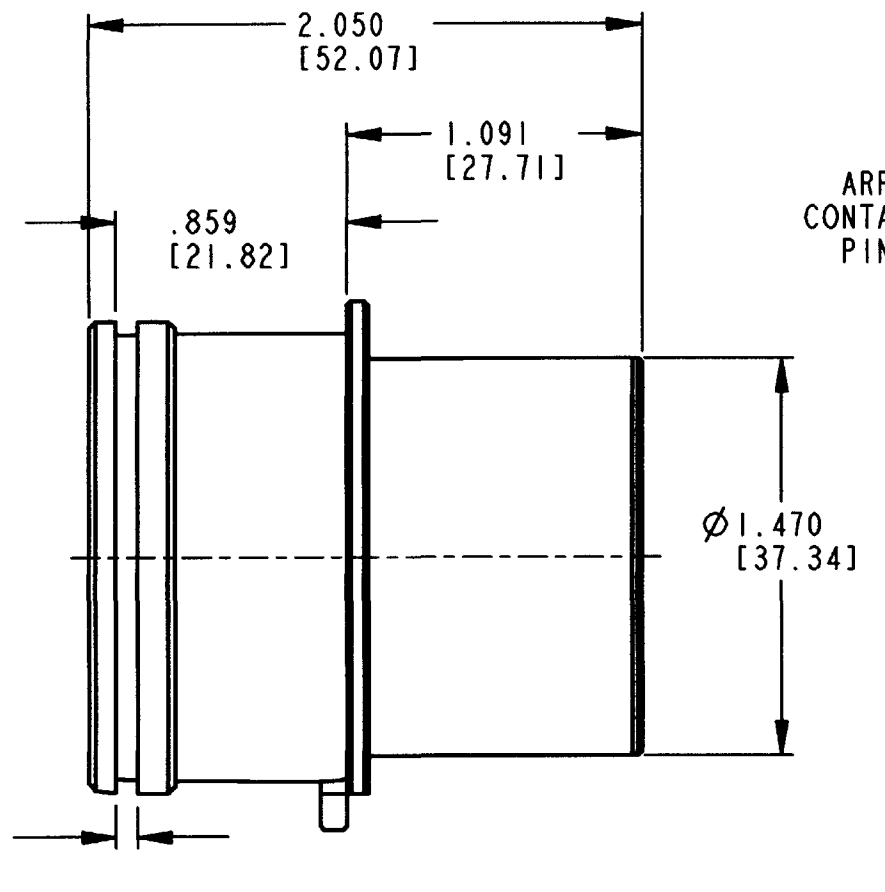
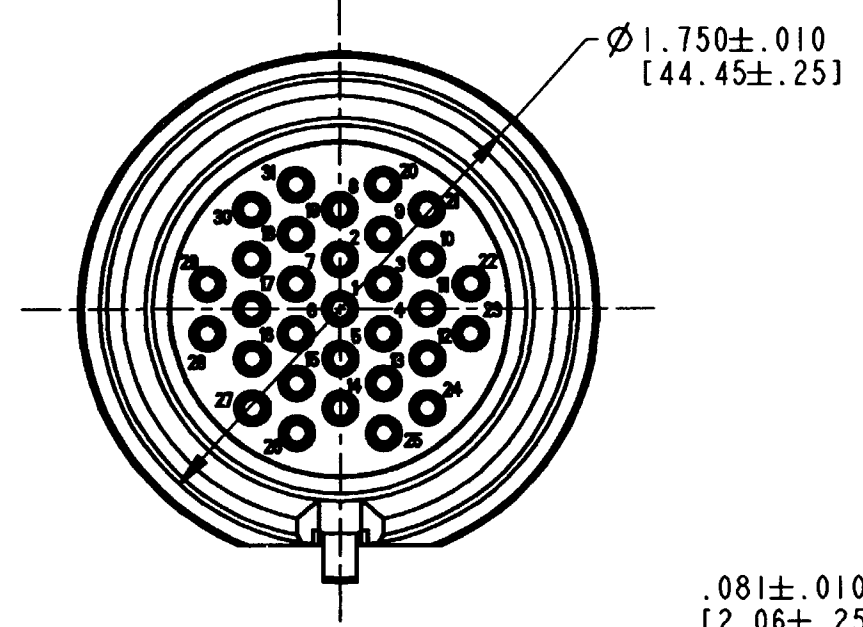
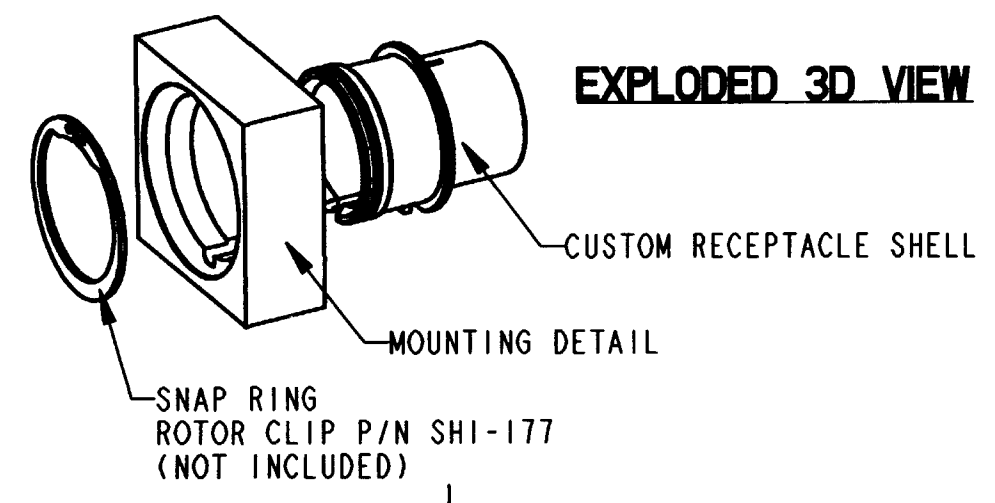


REV
A **HD34-24-31P*B019**

REVISIONS			
SYM	DESCRIPTION	DATE	APPROVED
NC	NEW RELEASE PER E.O. P18345	10/3/03	R.D.R.
A	REVISED PER E.O. P18393	11-24-03	RDR



6. .050 REF [1.28] NOMINAL CONNECTOR FLOAT BETWEEN SNAP RING AND SIDE OF MOUNTING.
5. THIS PART MATES WITH HD36-24-31S*-B019 (* INDICATES WIRE SEAL TYPE)
4. FOR CONTACTS, WIRE PERFORMANCE AND APPLICATION CHARACTERISTICS SEE ENVELOPE DWG. 0425-015-0000.
3. FOR PERFORMANCE AND APPLICATION CHARACTERISTICS SEE ENVELOPE DWG 0425-016-0000. MOUNTING APPLICATION NOT APPLICABLE TO HD34-24-31P*-B019. REFER TO SHEET -2- OF THIS DRAWING FOR CUSTOM MOUNTING APPLICATION.
2. ALL DIMENSIONS ARE $\pm .025$ [± 0.64] EXCLUDING RUBBER UNLESS OTHERWISE SPECIFIED.
1. ALL DIMENSIONS ARE INCHES [MILLIMETERS].
- NOTES:

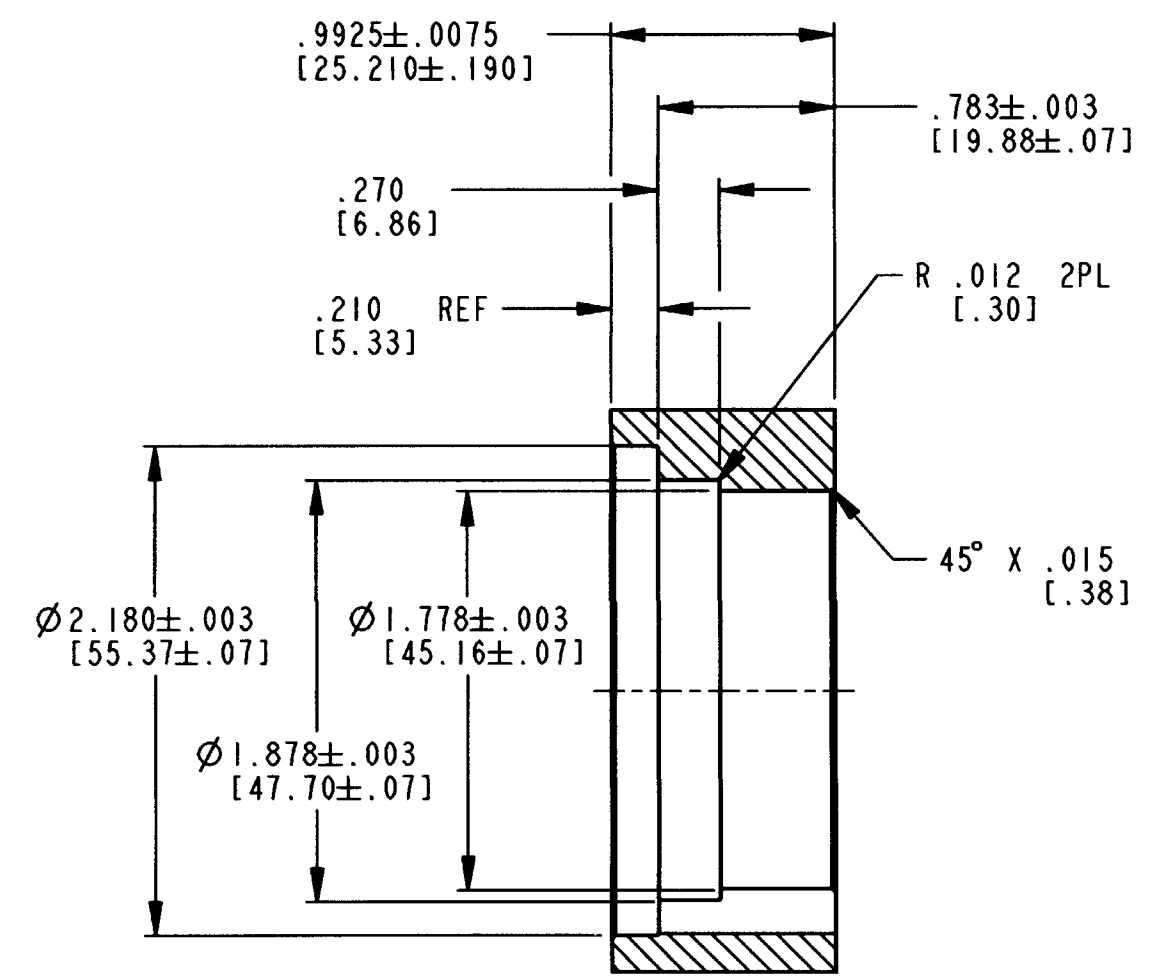
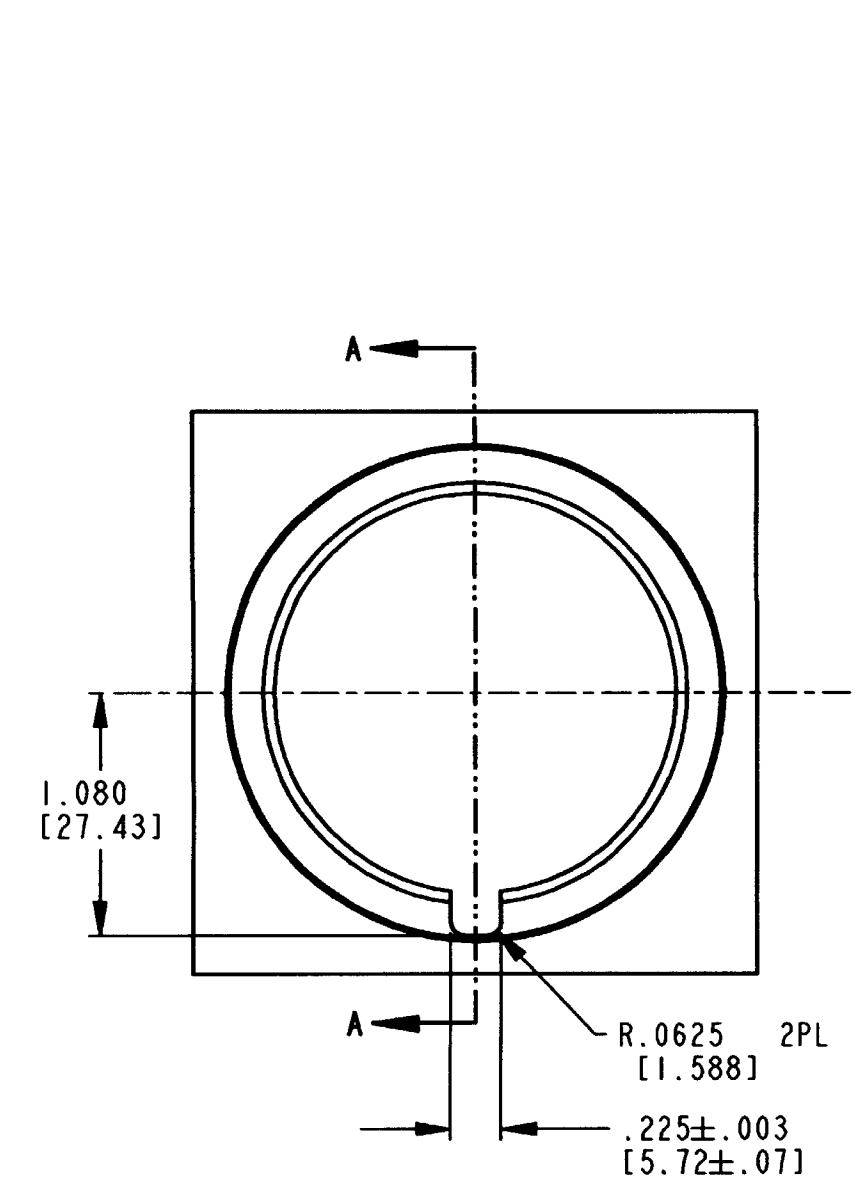
SIGNATURE & DATE	
DR	A. ROLINSKI 10/01/03
CHK	P. Byford 11/17/03
PE	A. Rolinski 11/14/03
APPD	S. Card 11-14-03
SCALE	NONE WT

31 WAY CUSTOM MOUNT RECEPTACLE CONNECTOR SHELL SIZE 24 HD30 SERIES

ENVELOPE

MATERIAL CODE	
CP	The Deutsch Company DEUTSCH I.P.D. 3850 INDUSTRIAL AVE. HEMET, CALIF. 92545
B	HD34-24-31P*-B019
DWG SIZE	CODE 11139 SHEET 1 OF 2

REV A	HD34-24-31P*-B019	REVISIONS			
		SYM	DESCRIPTION	DATE	APPROVED
		A	SEE SHEET 1	11-24-03	RDR



MOUNTING DETAIL FOR RECEPTACLE
 ALL DIMENSIONS ARE ±.005
 UNLESS OTHERWISE SPECIFIED

NOTES: SEE NOTES ON SHEET -1-

SIGNATURE & DATE	
DR	A. ROLINSKI 10/01/03
CHK	B. [Signature] 11/14/03
PE	[Signature] 11/14/03
APPD	[Signature] 11-14-03
SCALE	NONE WT

31 WAY CUSTOM MOUNT
 RECEPTACLE CONNECTOR
 SHELL SIZE 24
 HD30 SERIES
 ENVELOPE

CP	MATL. CODE
The Deutsch Company DEUTSCH I.P.D. 3850 INDUSTRIAL AVE. HEMET, CALIF. 92545	
B	HD34-24-31P*-B019
DWG SIZE	CODE 11139 SHEET 2 OF 2