

CHIP COIL (CHIP INDUCTORS) LQW04AN□□□□00D Reference Specification

1.Scope

This Reference specification applies to LQW04AN series, Chip coil (Chip Inductors).

2.Part Numbering

(ex) LQ W 04 A N 1N1 D 0 0 D

Product ID Structure Dimension Applications Category Inductance Tolerance Features Electrode Packaging
(L × W) and Characteristics D:Taping *B:Bulk

*Bulk packing also available. (A product is put in the plastic bag under the taping conditions.)

3.Rating

• Operating Temperature Range. $-55^{\circ}\text{C} \sim +125^{\circ}\text{C}$

• Storage Temperature Range. $-55^{\circ}\text{C} \sim +125^{\circ}\text{C}$

| Customer Part Number | MURATA Part Number | Inductance | | Q (min.) | DC Resistance (Ω max.) | Self Resonant Frequency (GHz min.) | Rated Current (mA) |
|----------------------|--------------------|------------|----------------------|----------|--------------------------------|------------------------------------|--------------------|
| | | (nH) | Tolerance | | | | |
| | LQW04AN0N8C00D | 0.8 | | 23 | 0.02 | 20.0 | 1800 |
| | LQW04AN0N8D00D | | | | | | |
| | LQW04AN1N1C00D | 1.1 | | 15 | 0.03 | 20.0 | 990 |
| | LQW04AN1N1D00D | | | | | | |
| | LQW04AN1N3C00D | 1.3 | | 15 | 0.03 | 20.0 | 1500 |
| | LQW04AN1N3D00D | | | | | | |
| | LQW04AN1N4C00D | 1.4 | | 15 | 0.06 | 17.0 | 700 |
| | LQW04AN1N4D00D | | | | | | |
| | LQW04AN1N5C00D | 1.5 | | 18 | 0.05 | 15.0 | 490 |
| | LQW04AN1N5D00D | | | | | | |
| | LQW04AN1N6C00D | 1.6 | | 15 | 0.06 | 17.0 | 700 |
| | LQW04AN1N6D00D | | | | | | |
| | LQW04AN1N7C00D | 1.7 | | 10 | 0.12 | 15.0 | 490 |
| | LQW04AN1N7D00D | | | | | | |
| | LQW04AN1N8C00D | 1.8 | | 10 | 0.12 | 15.0 | 490 |
| | LQW04AN1N8D00D | | | | | | |
| | LQW04AN1N9C00D | 1.9 | | 10 | 0.12 | 15.0 | 490 |
| | LQW04AN1N9D00D | | | | | | |
| | LQW04AN2N0C00D | 2.0 | | 21 | 0.03 | 20.0 | 1100 |
| | LQW04AN2N0D00D | | | | | | |
| | LQW04AN2N1C00D | 2.1 | | 14 | 0.04 | 12.0 | 780 |
| | LQW04AN2N1D00D | | | | | | |
| | LQW04AN2N2C00D | 2.2 | C:±0.2nH D:±0.5nH | 21 | 0.04 | 20.0 | 780 |
| | LQW04AN2N2D00D | | | | | | |
| | LQW04AN2N3C00D | 2.3 | | 18 | 0.07 | 20.0 | 570 |
| | LQW04AN2N3D00D | | | | | | |
| | LQW04AN2N4C00D | 2.4 | | 15 | 0.12 | 10.0 | 490 |
| | LQW04AN2N4D00D | | | | | | |
| | LQW04AN2N5C00D | 2.5 | | 10 | 0.12 | 10.0 | 490 |
| | LQW04AN2N5D00D | | | | | | |
| | LQW04AN2N6C00D | 2.6 | | 15 | 0.07 | 15 | 620 |
| | LQW04AN2N6D00D | | | | | | |
| | LQW04AN2N7C00D | 2.7 | | 15 | 0.07 | 15 | 570 |
| | LQW04AN2N7D00D | | | | | | |
| | LQW04AN2N8C00D | 2.8 | | 10 | 0.12 | 13.0 | 490 |
| | LQW04AN2N8D00D | | | | | | |
| | LQW04AN2N9C00D | 2.9 | | 10 | 0.12 | 13.0 | 490 |
| | LQW04AN2N9D00D | | | | | | |
| | LQW04AN3N0C00D | 3.0 | | 15 | 0.07 | 10.0 | 490 |
| | LQW04AN3N0D00D | | | | | | |
| | LQW04AN3N1C00D | 3.1 | | 10 | 0.12 | 10.0 | 490 |
| | LQW04AN3N1D00D | | | | | | |
| | LQW04AN3N2C00D | 3.2 | | 10 | 0.17 | 9.0 | 400 |
| | LQW04AN3N2D00D | | | | | | |
| | LQW04AN3N3C00D | 3.3 | | 10 | 0.14 | 10.0 | 440 |
| | LQW04AN3N3D00D | | | | | | |

| Customer Part Number | MURATA Part Number | Inductance | | Q (min.) | DC Resistance (Ω max.) | Self Resonant Frequency (GHz min.) | Rated Current (mA) |
|----------------------|--------------------|------------|----------------------|----------|--------------------------------|------------------------------------|--------------------|
| | | (nH) | Tolerance | | | | |
| | LQW04AN3N4C00D | 3.4 | C:±0.2nH D:±0.5nH | 10 | 0.27 | 8.0 | 310 |
| | LQW04AN3N4D00D | | | | | | |
| | LQW04AN3N6C00D | 3.6 | | 15 | 0.10 | 13.0 | 530 |
| | LQW04AN3N6D00D | | | | | | |
| | LQW04AN3N7C00D | 3.7 | | 20 | 0.14 | 10.0 | 440 |
| | LQW04AN3N7D00D | | | | | | |
| | LQW04AN3N8C00D | 3.8 | | 15 | 0.10 | 11.0 | 530 |
| | LQW04AN3N8D00D | | | | | | |
| | LQW04AN3N9C00D | 12.0 | | | | | |
| | LQW04AN3N9D00D | 11.0 | | | | | |
| | LQW04AN4N0C00D | | | | | | |
| | LQW04AN4N0D00D | 4.0 | | | | | |
| | LQW04AN4N1C00D | | | | | | |
| | LQW04AN4N1D00D | 4.1 | | | | | |
| | LQW04AN4N2C00D | | | | | | |
| | LQW04AN4N2D00D | 4.2 | | | | | |
| | LQW04AN4N3C00D | | | | | | |
| | LQW04AN4N3D00D | 4.3 | | | | | |
| | LQW04AN4N4C00D | | | | | | |
| | LQW04AN4N4D00D | 4.4 | | | | | |
| | LQW04AN4N5C00D | | | | | | |
| | LQW04AN4N5D00D | 4.5 | | | | | |
| | LQW04AN4N6C00D | | | | | | |
| | LQW04AN4N6D00D | 4.6 | | | | | |
| | LQW04AN4N7C00D | | | | | | |
| | LQW04AN4N7D00D | 4.7 | | | | | |
| | LQW04AN4N8C00D | | | | | | |
| | LQW04AN4N8D00D | 4.8 | | | | | |
| | LQW04AN4N9C00D | | | | | | |
| | LQW04AN4N9D00D | 4.9 | | | | | |
| | LQW04AN5N0C00D | | | | | | |
| | LQW04AN5N0D00D | 5.0 | | | | | |
| | LQW04AN5N1C00D | | | | | | |
| | LQW04AN5N1D00D | 5.1 | | | | | |
| | LQW04AN5N2C00D | | | | | | |
| | LQW04AN5N2D00D | 5.2 | | | | | |
| | LQW04AN5N3C00D | | | | | | |
| | LQW04AN5N3D00D | 5.3 | | | | | |
| | LQW04AN5N4C00D | | | | | | |
| | LQW04AN5N4D00D | 5.4 | | | | | |
| | LQW04AN5N5C00D | | | | | | |
| | LQW04AN5N5D00D | 5.5 | | | | | |
| | LQW04AN5N6C00D | | | | | | |
| | LQW04AN5N6D00D | 5.6 | | | | | |
| | LQW04AN5N7C00D | | | | | | |
| | LQW04AN5N7D00D | 5.7 | | | | | |
| | LQW04AN5N8C00D | | | | | | |
| | LQW04AN5N8D00D | 5.8 | | | | | |
| | LQW04AN5N9C00D | | | | | | |
| | LQW04AN5N9D00D | 5.9 | | | | | |
| | LQW04AN6N0C00D | | | | | | |
| | LQW04AN6N0D00D | 6.0 | | | | | |
| | LQW04AN6N1C00D | | | | | | |
| | LQW04AN6N1D00D | 6.1 | | | | | |
| | LQW04AN6N2C00D | | | | | | |
| | LQW04AN6N2D00D | 6.2 | | | | | |
| | LQW04AN6N3C00D | | | | | | |
| | LQW04AN6N3D00D | 6.3 | | | | | |
| | LQW04AN6N4C00D | | | | | | |
| | LQW04AN6N4D00D | 6.4 | | | | | |
| | LQW04AN6N5C00D | | | | | | |
| | LQW04AN6N5D00D | 6.5 | | | | | |

| Customer Part Number | MURATA Part Number | Inductance | | Q (min.) | DC Resistance (Ω max.) | Self Resonant Frequency (GHz min.) | Rated Current (mA) |
|----------------------|--------------------|------------|----------------------|----------|--------------------------------|------------------------------------|--------------------|
| | | (nH) | Tolerance | | | | |
| | LQW04AN6N6C00D | 6.6 | C:±0.2nH D:±0.5nH | 20 | 0.19 | 9.0 | 390 |
| | LQW04AN6N6D00D | | | | | | |
| | LQW04AN6N7C00D | 6.7 | | | | | |
| | LQW04AN6N7D00D | | | | | | |
| | LQW04AN6N8C00D | 6.8 | | | | | |
| | LQW04AN6N8D00D | | | | | | |
| | LQW04AN6N9C00D | 6.9 | | | | | |
| | LQW04AN6N9D00D | | | | | | |
| | LQW04AN7N0C00D | 7.0 | | | | | |
| | LQW04AN7N0D00D | | | | | | |
| | LQW04AN7N1C00D | 7.1 | | | | | |
| | LQW04AN7N1D00D | | | | | | |
| | LQW04AN7N2C00D | 7.2 | | | | | |
| | LQW04AN7N2D00D | | | | | | |
| | LQW04AN7N3C00D | 7.3 | | | | | |
| | LQW04AN7N3D00D | | | | | | |
| | LQW04AN7N4C00D | 7.4 | | | | | |
| | LQW04AN7N4D00D | | | | | | |
| | LQW04AN7N5C00D | 7.5 | | | | | |
| | LQW04AN7N5D00D | | | | | | |
| | LQW04AN7N6C00D | 7.6 | | | | | |
| | LQW04AN7N6D00D | | | | | | |
| | LQW04AN7N7C00D | 7.7 | | | | | |
| | LQW04AN7N7D00D | | | | | | |
| | LQW04AN7N8C00D | 7.8 | | | | | |
| | LQW04AN7N8D00D | | | | | | |
| | LQW04AN7N9C00D | 7.9 | | | | | |
| | LQW04AN7N9D00D | | | | | | |
| | LQW04AN8N0C00D | 8.0 | | | | | |
| | LQW04AN8N0D00D | | | | | | |
| | LQW04AN8N1C00D | 8.1 | | | | | |
| | LQW04AN8N1D00D | | | | | | |
| | LQW04AN8N2C00D | 8.2 | | | | | |
| | LQW04AN8N2D00D | | | | | | |
| | LQW04AN8N3C00D | 8.3 | | | | | |
| | LQW04AN8N3D00D | | | | | | |
| | LQW04AN8N4C00D | 8.4 | | | | | |
| | LQW04AN8N4D00D | | | | | | |
| | LQW04AN8N5C00D | 8.5 | | | | | |
| | LQW04AN8N5D00D | | | | | | |
| | LQW04AN8N6C00D | 8.6 | | | | | |
| | LQW04AN8N6D00D | | | | | | |
| | LQW04AN8N7C00D | 8.7 | | | | | |
| | LQW04AN8N7D00D | | | | | | |
| | LQW04AN8N8C00D | 8.8 | | | | | |
| | LQW04AN8N8D00D | | | | | | |
| | LQW04AN8N9C00D | 8.9 | | | | | |
| | LQW04AN8N9D00D | | | | | | |
| | LQW04AN9N0C00D | 9.0 | | | | | |
| | LQW04AN9N0D00D | | | | | | |
| | LQW04AN9N1C00D | 9.1 | | | | | |
| | LQW04AN9N1D00D | | | | | | |
| | LQW04AN9N2C00D | 9.2 | | | | | |
| | LQW04AN9N2D00D | | | | | | |
| | LQW04AN9N3C00D | 9.3 | | | | | |
| | LQW04AN9N3D00D | | | | | | |
| | LQW04AN9N4C00D | 9.4 | | | | | |
| | LQW04AN9N4D00D | | | | | | |
| | LQW04AN9N5C00D | 9.5 | | | | | |
| | LQW04AN9N5D00D | | | | | | |
| | LQW04AN9N6C00D | 9.6 | | | | | |
| | LQW04AN9N6D00D | | | | | | |

| Customer Part Number | MURATA Part Number | Inductance | | Q (min.) | DC Resistance (Ω max.) | Self Resonant Frequency (GHz min.) | Rated Current (mA) |
|----------------------|--------------------|------------|----------------------------------|----------|--------------------------------|------------------------------------|--------------------|
| | | (nH) | Tolerance | | | | |
| | LQW04AN9N7C00D | 9.7 | C: \pm 0.2nH D: \pm 0.5nH | 20 | 0.26 | 7.0 | 330 |
| | LQW04AN9N7D00D | | | | | | |
| | LQW04AN9N8C00D | 9.8 | | | | | |
| | LQW04AN9N8D00D | | | | | | |
| | LQW04AN9N9C00D | 9.9 | | | | | |
| | LQW04AN9N9D00D | | | | | | |
| | LQW04AN10NH00D | 10 | H: \pm 3% J: \pm 5% | 15 | 0.28 | 6.0 | 310 |
| | LQW04AN10NJ00D | 11 | | | | | |
| | LQW04AN11NH00D | 12 | | | | | |
| | LQW04AN11NJ00D | | | | | | |
| | LQW04AN12NH00D | 13 | | | | | |
| | LQW04AN12NJ00D | | | | | | |
| | LQW04AN13NH00D | 14 | | | | | |
| | LQW04AN13NJ00D | | | | | | |
| | LQW04AN14NH00D | 15 | | | | | |
| | LQW04AN14NJ00D | | | | | | |
| | LQW04AN15NH00D | 16 | | | | | |
| | LQW04AN15NJ00D | | | | | | |
| | LQW04AN16NH00D | 18 | | | | | |
| | LQW04AN16NJ00D | | | | | | |
| | LQW04AN18NH00D | 19 | | | | | |
| | LQW04AN18NJ00D | | | | | | |
| | LQW04AN19NH00D | 20 | | | | | |
| | LQW04AN19NJ00D | | | | | | |
| | LQW04AN20NH00D | 22 | | | | | |
| | LQW04AN20NJ00D | | | | | | |
| | LQW04AN22NH00D | 23 | | | | | |
| | LQW04AN22NJ00D | | | | | | |
| | LQW04AN23NH00D | 24 | | | | | |
| | LQW04AN23NJ00D | | | | | | |
| | LQW04AN24NH00D | 25 | | | | | |
| | LQW04AN24NJ00D | | | | | | |
| | LQW04AN25NH00D | 27 | | | | | |
| | LQW04AN25NJ00D | | | | | | |
| | LQW04AN27NH00D | 33 | | | | | |
| | LQW04AN27NJ00D | | | | | | |
| | LQW04AN33NH00D | 33 | | | | | |
| | LQW04AN33NJ00D | | | | | | |

4. Testing Conditions

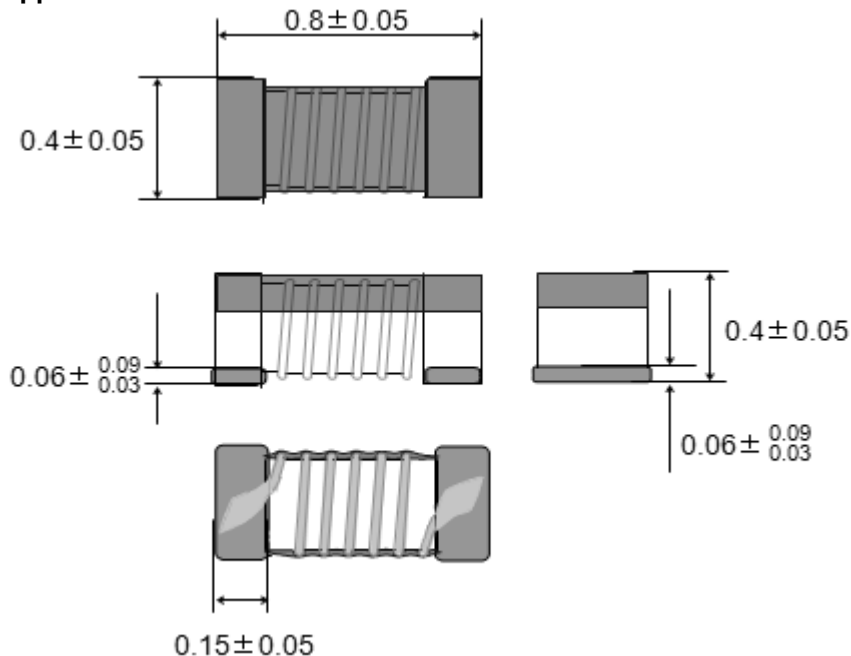
《Unless otherwise specified》

Temperature : Ordinary Temperature / 15°C to 35°C
 Humidity : Ordinary Humidity / 25%(RH) to 85%(RH)

《In case of doubt》

Temperature : 20°C \pm 2°C
 Humidity : 60%(RH) to 70%(RH)
 Atmospheric Pressure : 86kPa to 106 kPa

5. Appearance and Dimensions

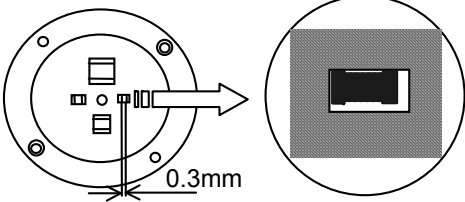


(in mm)

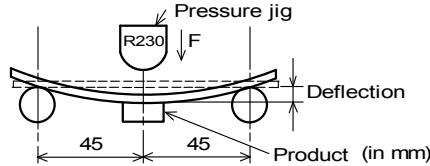
■ Unit Mass (Typical value)

0.0003g

6. Electrical Performance

| No. | Item | Specification | Test Method |
|-----|--------------------------------|---|--|
| 6.1 | Inductance | Inductance shall meet item 3. | Measuring Equipment: KEYSIGHT E4991A or equivalent Measuring Frequency: <Inductance> 100MHz <Q> 250MHz Measuring Condition: Test signal level / about 0dBm Electrical length/ 10mm Measuring Fixture: KEYSIGHT 16197A Position coil under test as shown in below and contact coil with each terminal by adding weight. |
| 6.2 | Q | Q shall meet item 3. |  Measuring Method: See P.12 <Electrical Performance: Measuring Method of Inductance/Q> |
| 6.3 | DC Resistance | DC Resistance shall meet item 3. | Measuring Equipment: Digital multi meter |
| 6.4 | Self Resonant Frequency(S.R.F) | S.R.F shall meet item 3. | Measuring Equipment: KEYSIGHT 8720C or equivalent |
| 6.5 | Rated Current | Self temperature rise shall be limited to 20°C max. | The rated current is applied. |

7. Mechanical Performance

| No. | Item | Specification | Test Method |
|-----|------------------------------|--|---|
| 7.1 | Bending Test | Chip coil shall not be damaged after tested as test method. | Substrate: Glass-epoxy substrate (100mm × 40mm × 0.8mm) Speed of Applying Force: 1mm / s Deflection: 2mm Hold Duration: 5s  |
| 7.2 | Vibration | Chip coil shall not be damaged after tested as test method. | Oscillation Frequency: 10Hz~55Hz~10Hz for 1 min Total Amplitude: 1.5mm Testing Time : A period of 2 hours in each of 3 mutually perpendicular directions. (Total 6hours) |
| 7.3 | Solderability | The wetting area of the electrode shall be at least 90% covered with new solder coating. | Flux: Ethanol solution of rosin, 25(wt)% Includes activator equivalent to 0.06(wt)% chlorine. (immersed for 5s to 10s) Solder: Sn-3.0Ag-0.5Cu Pre-Heating: 150°C ± 10°C / 60s to 90s Solder Temperature: 240°C ± 5°C Immersion Time: 4s ± 1s |
| 7.4 | Resistance to Soldering Heat | Appearance: No damage Inductance Change: within ±5% | Flux: Ethanol solution of rosin, 25(wt)% Includes activator equivalent to 0.06(wt)% Chlorine. (immersed for 5s to 10s) Solder: Sn-3.0Ag-0.5Cu Pre-Heating: 150°C ± 10°C / 60s to 90s Solder Temperature: 270°C ± 5°C Immersion Time: 5s ± 1s Then measured after exposure in the room condition for 24h ± 2h. |

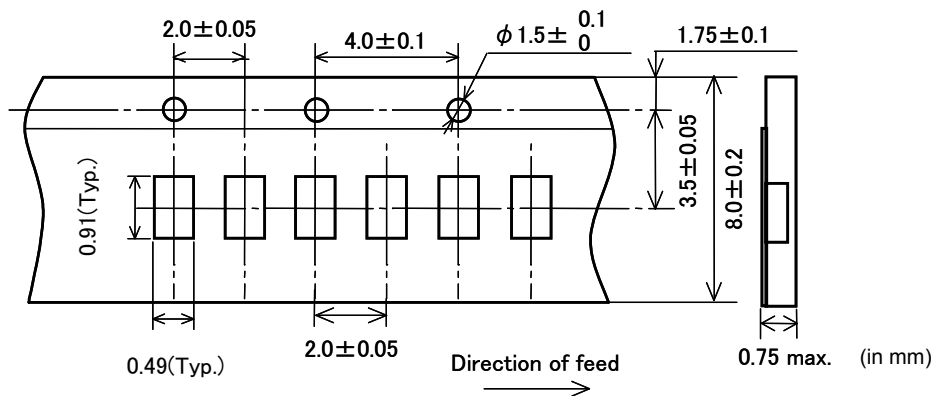
8. Environmental Performance

It shall be soldered on the substrate.

| No. | Item | Specification | Test Method |
|-----|-------------------|---|--|
| 8.1 | Heat Resistance | Appearance: No damage Inductance Change: within ±5% Q Change: within ±20% | Temperature: 125°C ± 2°C Time: 1000h (+48h, 0h) Then measured after exposure in the room condition for 24h ± 2h. |
| 8.2 | Cold Resistance | | Temperature: -55°C ± 2°C Time: 1000h (+48h, -0h) Then measured after exposure in the room condition for 24 ± 2 h. |
| 8.3 | Humidity | | Temperature: 70°C ± 2°C Humidity: 90%(RH) to 95%(RH) Time: 1000h (+48h, -0h) Then measured after exposure in the room condition for 24h ± 2h. |
| 8.4 | Temperature Cycle | | 1 cycle: 1 step: -55°C ± 2°C / 30min ± 3 min 2 step: Ordinary temp. / 10min to 15 min 3 step: +125°C ± 2°C / 30min ± 3 min 4 step: Ordinary temp. / 10min to 15 min Total of 10 cycles Then measured after exposure in the room condition for 24h ± 2h. |

9. Specification of Packaging

9.1 Appearance and Dimensions of paper tape (8mm-wide)



9.2 Specification of Taping

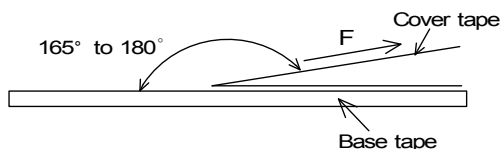
- (1) Packing quantity (standard quantity)
10,000 pcs. / reel
- (2) Packing Method
Products shall be packed in the cavity of the base tape and sealed by Cover tape.
- (3) Sprocket hole
The sprocket holes are to the right as the tape is pulled toward the user.
- (4) Spliced point
Base tape and Cover tape has no spliced point.
- (5) Missing components number
Missing components number within 0.1% of the number per reel or 1 pc., whichever is greater, and are not continuous. The Specified quantity per reel is kept.

9.3 Pull Strength

| | |
|------------|---------|
| Cover tape | 5N min. |
|------------|---------|

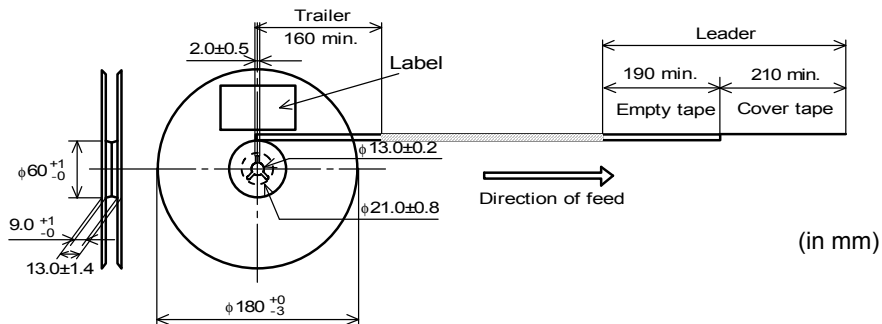
9.4 Peeling off force of cover tape

| | |
|----------------------|--|
| Speed of Peeling off | 300mm/min |
| Peeling off force | 0.1N to 0.6N (minimum value is typical) |



9.5 Dimensions of Leader-tape, Trailer and Reel

There shall be leader-tape (cover tape and empty tape) and trailer-tape (empty tape) as follows.

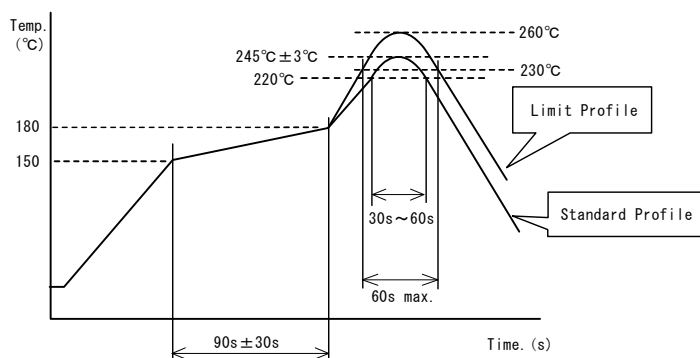


11.2 Flux, Solder

- Use rosin-based flux.
Includes middle activator equivalent to 0.06(wt)% to 0.1(wt) % Chlorine.
Don't use highly acidic flux with halide content exceeding 0.2(wt) % (chlorine conversion value).
Don't use water-soluble flux.
- Use Sn-3.0Ag-0.5Cu solder.
- Standard thickness of solder paste : 80 μ m to 100 μ m.

11.3 Reflow soldering conditions

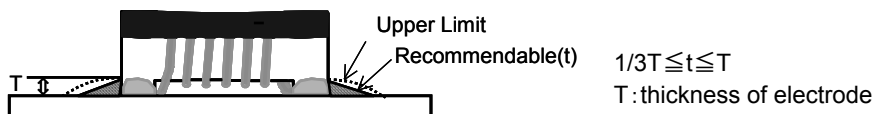
- Pre-heating should be in such a way that the temperature difference between solder and product surface is limited to 150°C max. Cooling into solvent after soldering also should be in such a way that the temperature difference is limited to 100°C max.
Insufficient pre-heating may cause cracks on the product, resulting in the deterioration of products quality.
- Standard soldering profile and the limit soldering profile is as follows.
The excessive limit soldering conditions may cause leaching of the electrode and / or resulting in the deterioration of product quality.
- Reflow soldering profile



| | Standard Profile | Limit Profile |
|------------------|---------------------------|-----------------------|
| Pre-heating | 150°C ~ 180°C , 90s ± 30s | |
| Heating | above 220°C, 30s ~ 60s | above 230°C, 60s max. |
| Peak temperature | 245°C ± 3°C | 260°C, 10s |
| Cycle of reflow | 2 times | 2 times |

11.4 Solder Volume

- Solder shall be used not to be exceed the upper limits as shown below.
- Accordingly increasing the solder volume, the mechanical stress to Chip is also increased.
Exceeding solder volume may cause the failure of mechanical or electrical performance.

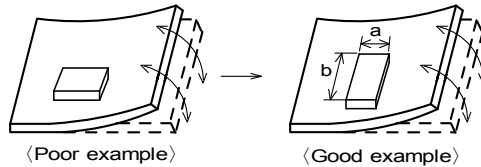


11.5 Product's location

The following shall be considered when designing and laying out P.C.B.'s.

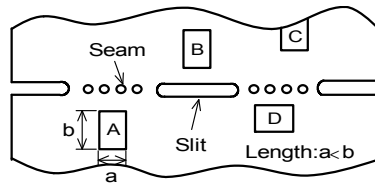
- (1) P.C.B. shall be designed so that products are not subject to the mechanical stress due to warping the board.

[Products direction]



Products shall be located in the sideways direction (Length: $a < b$) to the mechanical stress.

- (2) Products location on P.C.B. separation



Products (A,B,C,D) shall be located carefully so that products are not subject to the mechanical stress due to warping the board. Because they may be subjected the mechanical stress in order of $A > C > B \cong D$.

11.6 Cleaning Conditions

Products shall be cleaned on the following conditions.

- (1) Cleaning temperature shall be limited to 60°C max. (40°C max for IPA)
- (2) Ultrasonic cleaning shall comply with the following conditions with avoiding the resonance phenomenon at the mounted products and P.C.B.
Power : 20 W / l max. Frequency : 28kHz to 40kHz Time : 5 min max.
- (3) Cleaner
 1. Alcohol type cleaner
Isopropyl alcohol (IPA)
 2. Aqueous agent
PINE ALPHA ST-100S
- (4) There shall be no residual flux and residual cleaner after cleaning.
In the case of using aqueous agent, products shall be dried completely after rinse with de-ionized water in order to remove the cleaner.
- (5) Other cleaning Please contact us.

11.7 Resin coating

The inductance value may change due to high cure-stress of resin to be used for coating/molding products. An open circuit issue may occur by mechanical stress caused by the resin, amount/cured shape of resin, or operating condition etc. Some resin contains some impurities or chloride possible to generate chlorine by hydrolysis under some operating condition may cause corrosion of wire of coil, leading to open circuit. So, please pay your careful attention when you select resin in case of coating/molding the products with the resin. Prior to use the coating resin, please make sure no reliability issue is observed by evaluating products mounted on your board.

11.8 Caution for use

- Sharp material such as a pair of tweezers or other material such as bristles of cleaning brush, shall not be touched to the winding portion to prevent the breaking of wire.
- Mechanical shock should not be applied to the products mounted on the board to prevent the breaking of the core.

11.9 Notice of product handling at mounting

In some mounting machines, when picking up components support pin pushes up the components from the bottom of base tape. In this case, please remove the support pin. The support pin may damage the components and break wire.

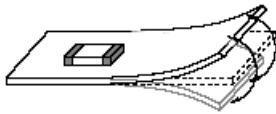
In rare case, the laser recognition can not recognize this component. Please contact us when you use laser recognition. (There is no problem with the permeation and reflection type.)

11.10 Handling of a substrate

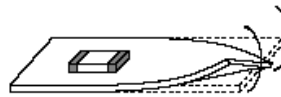
After mounting products on a substrate, do not apply any stress to the product caused by bending or twisting to the substrate when cropping the substrate, inserting and removing a connector from the substrate or tightening screw to the substrate.

Excessive mechanical stress may cause cracking in the product.

Bending



Twisting

**11.11 Storage and Handling Requirements****(1) Storage period**

Use the products within 12 months after delivered.

Solderability should be checked if this period is exceeded.

(2) Storage conditions

• Products should be stored in the warehouse on the following conditions.

Temperature : -10°C to 40°C

Humidity : 15% to 85% relative humidity No rapid change on temperature and humidity

• Don't keep products in corrosive gases such as sulfur, chlorine gas or acid, or it may cause oxidization of electrode, resulting in poor solderability.

• Products should not be stored on bulk packaging condition to prevent the chipping of the core and the breaking of winding wire caused by the collision between the products.

• Products should be stored on the pallet for the prevention of the influence from humidity, dust and so on.

• Products should be stored in the warehouse without heat shock, vibration, direct sunlight and so on.

(3) Handling Condition

Care should be taken when transporting or handling product to avoid excessive vibration or mechanical shock.

12.  Note

(1) Please make sure that your product has been evaluated in view of your specifications with our product being mounted to your product.

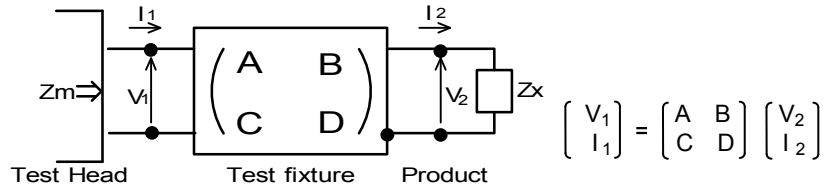
(2) You are requested not to use our product deviating from the agreed specifications.

(3) The contents of this reference specification are subject to change without advance notice.

Please approve our product specifications or transact the approval sheet for product specifications before ordering.

<Electrical Performance: Measuring Method of Inductance/Q>

(1) Residual elements and stray elements of test fixture can be described by F-parameter shown in following.



(2) The impedance of chip coil Z_x and measured value Z_m can be described by input/output current/voltage.

$$Z_m = \frac{V_1}{I_1} \quad , \quad Z_x = \frac{V_2}{I_2}$$

(3) Thus, the relation between Z_x and Z_m is following;

$$Z_x = \alpha \frac{Z_m - \beta}{1 - Z_m \Gamma} \quad \text{where, } \alpha = D / A = 1$$

$$\beta = B / D = Z_{sm} - (1 - Y_{om} Z_{sm}) Z_{ss}$$

$$\Gamma = C / A = Y_{om}$$

Z_{sm} : measured impedance of short chip
 Z_{ss} : residual impedance of short chip (0.464nH)
 Y_{om} : measured admittance when opening the fixture

(4) L_x and Q_x shall be calculated with the following equation.

$$L_x = \frac{\text{Im}(Z_x)}{2 \pi f} \quad , \quad Q_x = \frac{\text{Im}(Z_x)}{\text{Re}(Z_x)}$$

L_x : Inductance of chip coil
 Q_x : Q of chip coil
 f : Measuring frequency