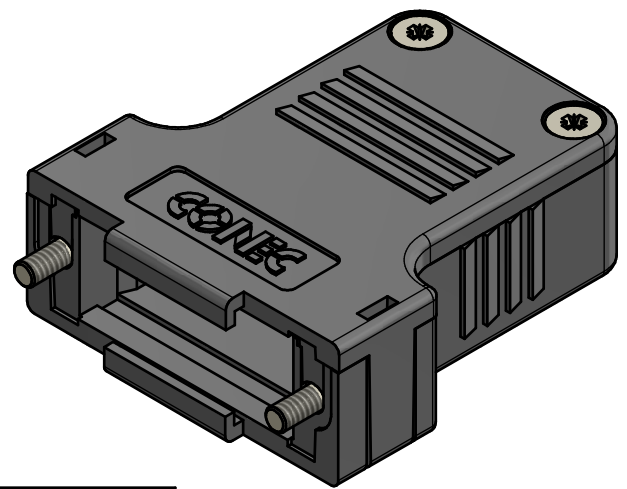


NOTES: (b)

1. HOOD + COVER: PBT UL 94 V-0; BLACK
2. CABLE STRAIN RELIEF: STEEL; NICKEL PLATED
3. PRESS INSERT: ABS UL 94 V-0; BLACK
4. SHORT SCREWS: STEEL; NICKEL PLATED
5. COVER SCREWS: STEEL; NICKEL PLATED
6. LENS HEAD SCREWS: STEEL; NICKEL PLATED

TECHNICAL DATA:

- TEMPERATURE RANGE: -40°C to + 125°C



CABLE STRAIN RELIEF (1x)



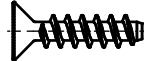
LENS HEAD SCREW (2x)



SHORT SCREW (2x)



PRESS INSERT (1x)



COVER SCREW (2x)

RoHS compliant

THIS DRAWING MAY NOT BE COPIED OR REPRODUCED IN ANY WAY, AND MAY NOT BE PASSED ON TO A THIRD PARTY WITHOUT WRITTEN PERMISSION. OWNERSHIP AND COPYRIGHT OF CONEC GmbH

DO NOT ALTER CAD DRAWING BY HAND

rev.	description	date	name	tolerance	dim. in mm
5 x b	A5607	14.04.15	M.H.		
a	Original				
drawn	14.04.2015	Heinrich			
appd.	14.04.2015	Lehmenkühler			
norm					
d-old	16K1A707				

scale:	2:1
material:	SEE NOTES
title:	
PLASTIC HOOD	
15pos.	
with straight cable exit	
dwg no:	(b) 16K1A3619
part no:	165X13379X / 600X10015XS
DIN-A3	sh: 1