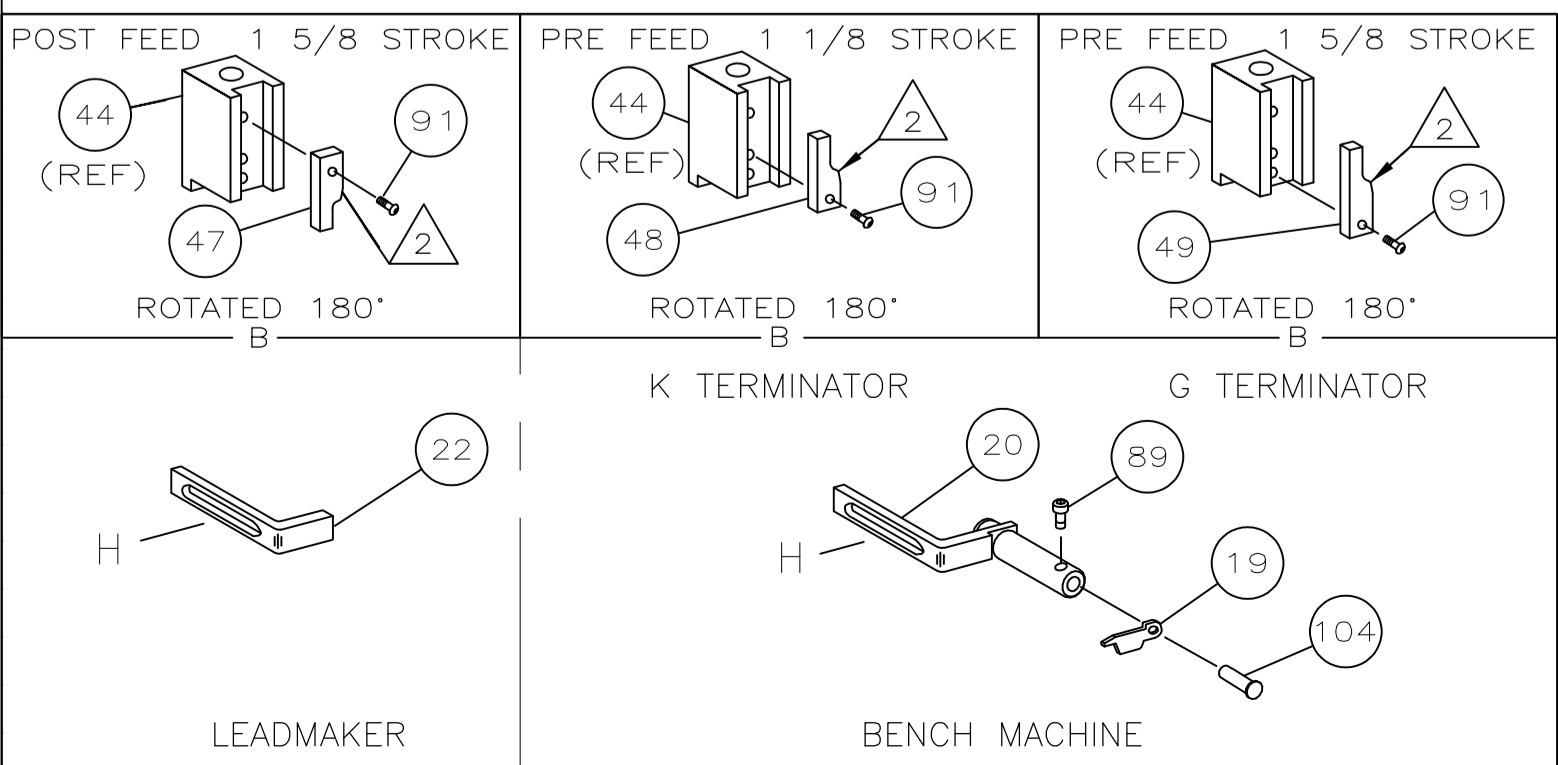
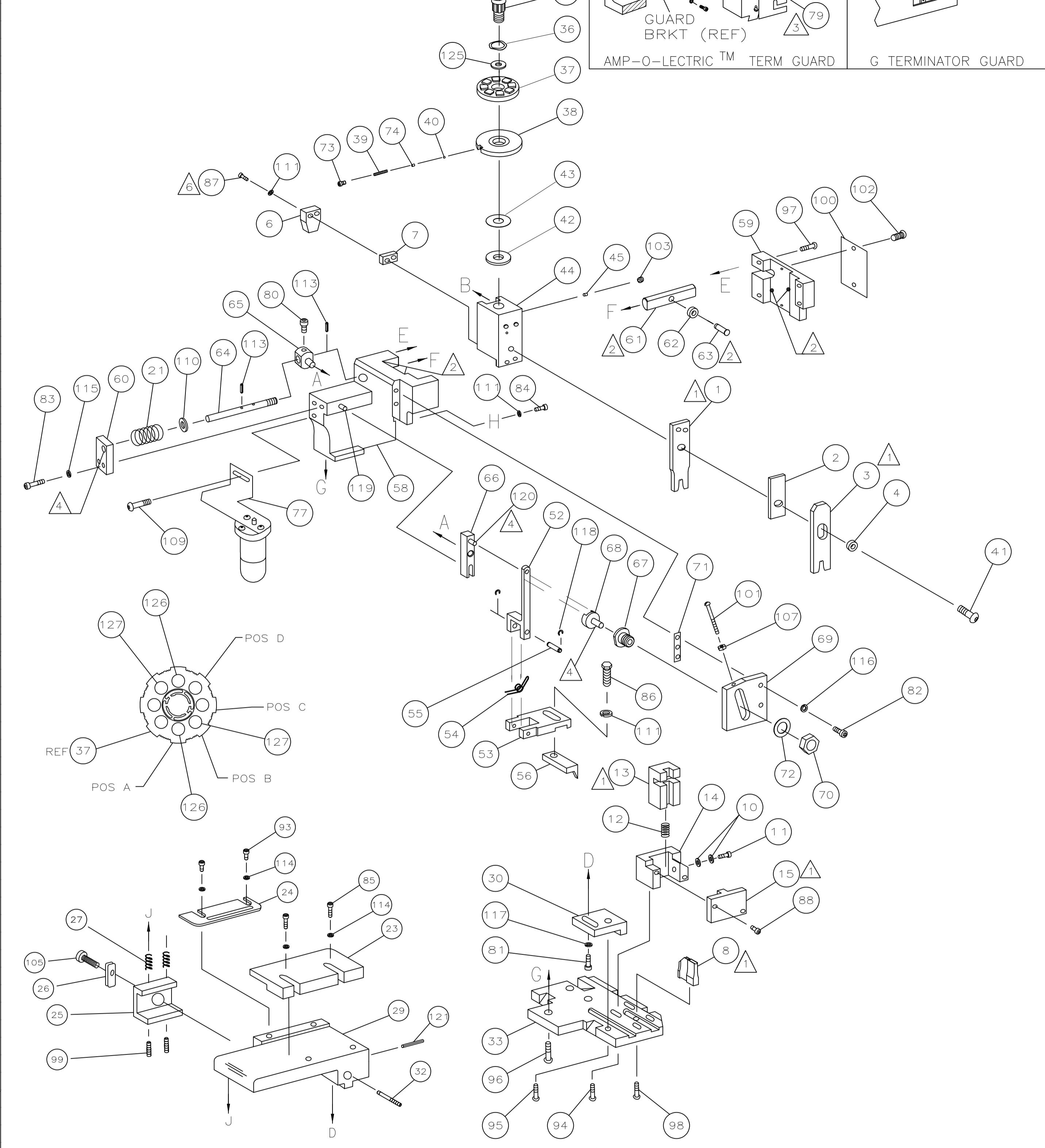
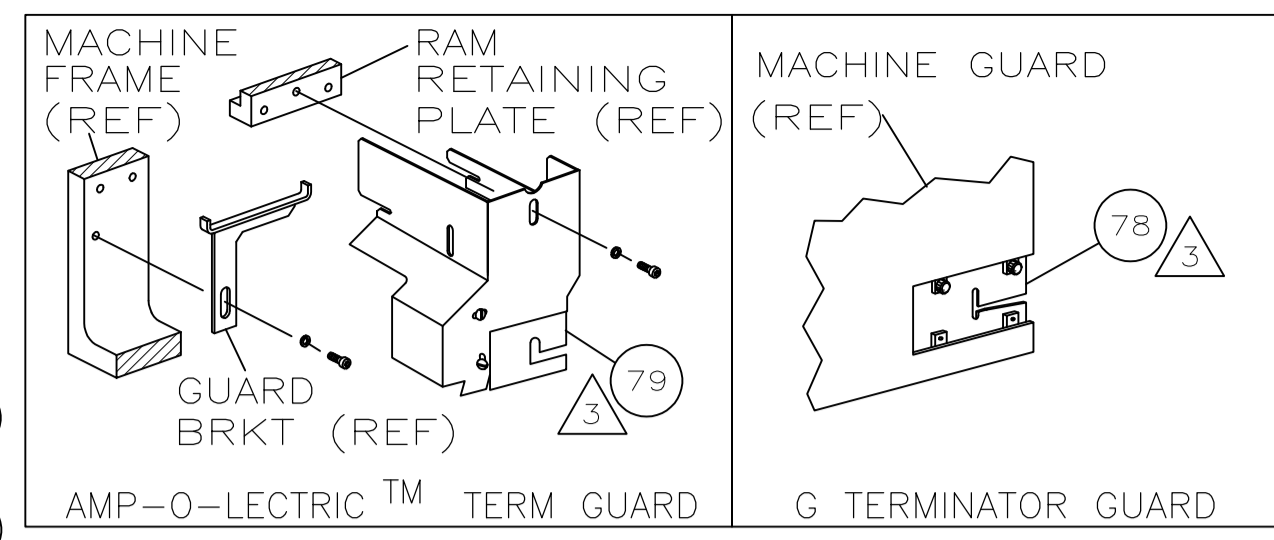


PART NUMBER	REV	FIRST USED
1385845-1	B	122500-1
1385845-2	B	565435-5
1385845-3	B	354500-1



- 1 RECOMMENDED SPARE PARTS.
- 2 GREASE LIGHTLY.
- 3 GUARD MUST BE IN PLACE WHEN OPERATING APPLICATOR IN A BENCH MACHINE.
- 4 LUBRICATE DAILY USING NO. 20 MACHINE OIL.
- 5. ITEMS WITH QTY OF REF SPECIFIED (EXCEPT ITEMS 78 AND 79) ARE USED ON ITEM 46.
- 6 CUT TO LENGTH AT ASSEMBLY.

AMP TERM PN		MFR TERM PN		DELPHI TERMINAL		CUSTOMER CRIMP SPECS	
1572615		2977114		PAD LTR	CRIMP HEIGHT	WIRE SIZE	
				A	.057 ±.002 [1.45 ±0.05mm]	18	
				B	.055 ±.002 [1.4 ±0.05mm]	20	
				C	NOT	USED	
				D	NOT	USED	
				CRIMP	SIZE	TYPE RANGE	
				WIRE	.110 [2.79mm]	F 20-18	
				INSUL	.140 [3.56mm]	0 Ø.125	
WIRE STRIP LENGTH	TERM APPL SPEC	FEED	APPL INSTRUCTION	SET UP GAGE	LAYOUT		
.188-.219	NONE	.688	408-8040	458637-1	L2699		

QTY	REF	DESCRIPTION	ITEM NO	
1		2-354779-3	PIN, WIRE DISC (.3105)B	127
2		1-354779-9	PIN, WIRE DISC (.3085)A	126
1		986950-1	WASHER, FLAT PRECISION	125
1		217238-1	GENERAL INSTRUCTION PACKAGE	124
1		4088040	SF APPL INST 408-8040	123
1		4-21028-0	PIN, SLTD SPRG(Ø.094x.75)	121
1		1-21030-1	PIN,DOWEL(Ø.187x.50)LEVER	120
1		1-21030-6	PIN,DOWEL(Ø.187x1.25)HOUSING	119
2		21045-3	RING,RET "C"(Ø.187)FD FING PIN	118
1		21024-5	WASHER, LOCK(#10)ADJ BLOCK	117
2		21024-5	WASHER,LOCK(#10)ADJ PLATE	116
2		21024-5	WASHER,LOCK(#10)FEED GDE ROD	115
4		21024-2	WASHER,LOCK(#4)FRONT STP GUIDE	114
2		5-21028-1	PIN,SLT SPR(Ø.125x.50)ADJ ROD	113
4		21024-4	WASHER,LOCK(#8)STRIPPER	111
1		21899-4	WASHER,FLAT(Ø5/16)SCREW ADJ	110
-		2-21002-6	SCR,BHC(10-32x.38)LUBE ASSY	109
1		21068-5	NUT,HEX(6-32)FEED ADJ	107
1		22353-8	SCR,SHLD,SLOT HEAD(8-32)	105
1		992031-1	PIN, CLEVIS	104
1		21009-2	SCR,SKT SET(1/4-20x.25 LW)RAM	103
2		21017-2	SCR,DRIVE(#2x.19)ID PLATE	102
1		6-23715-5	SCR,PAN HD(6-32x1.50)FEED ADJ	101
1		461264-1	PLATE, IDENTIFICATION	100
2		5-21006-6	SCR,SET (10-32x.75)DRAG	99
1		22733-8	SCR,BHC(8-32x.38 LW)ANVIL	98
4		2-21002-9	SCR,BHC(10-32x.75)CAP	97
3		2-22733-8	SCR,BHC(1/4-20x.62)HOUSING	96
1		2-21002-7	SCR,BHC(10-32x.50)SG ADJ BLOCK	95
2		2-21002-2	SCR,BHC(8-32x.50)TERM H DWN	94
2		1-21000-3	SCR,BHC(4-40x.25)R STP GDE	93
1		1-21002-7	SCR,BHC(6-32x.38)CAM	91
1		7-21000-9	SCR,SHC(4-40x.19)STRIPPER	89
2		1-21000-9	SCR,SHC(6-32x.38)R SHEAR PLATE	88
2		3-21000-0	SCR,SKT CAP (8-32x.81) R DEP	87
1		2-22603-0	SCR,HEX HD(8-32x.31)FEED FINGER	86
2		1-21000-5	SCR,SHC(4-40x.50)FR ST GUIDE	85
1		2-21000-7	SCR,SHC(8-32x.50)STRIPPER	84
2		3-21000-7	SCR,SHC(10-32x.75)FEED ROD GD	83
2		3-21000-6	SCR,SHC(10-32x.62)FD ADJ BLK	82
1		3-21000-4	SCR,SHC(10-32x.38)SG ADJ BL	81
1		3-21000-4	SCR,SHC(10-32x.38)PIVOT BLK	80
-	REF	455749-1	GUARD, WINDOW	79
-	REF	679532-1	INSERT, GUARD	78
-	1	1-465184-0	LUBRICATOR ASSY	77
1		690603-1	SPRING, ASSIST	74
1		23030-1	SCR,SHC(6-32x.25 SL)INS DISC	73
1		458109-1	WASHER, SPECIAL	72
1		690517-1	SPACER	71
-3	-2	-1	U/M	

LOC		DIST		REVISIONS			
A	66	F	LTR	DESCRIPTION	DATE	DWN	APVD
		B	ECR-08-009041		4-2008	MY	GB

-1	LEADMAKER	MECH POST FEED
-2	BENCH MODEL K	MECH PRE FEED
-3	BENCH MODEL G	MECH PRE FEED

QTY	REF	DESCRIPTION	ITEM NO	
1		22594-8	NUT,HEX(1/2-20)	70
1		240628-1	PLATE, ADJUSTMENT	69
1		240626-1	SHAFT, PIVOT	68
1		240633-1	BUSHING	67
1		455680-1	LEVER, INTERMEDIATE	66
1		240629-1	BLOCK, PIVOT	65
1		240632-2	SCREW, ADJ FEED ROD	64
1		240659-3	PIN, CAM ROLLER	63
1		240658-1	ROLLER, CAM	62
1		454398-2	ROD, FEED	61
1		454178-1	GUIDE, FEED ROD	60
1		454220-1	CAP, RAM	59
1		454485-1	HOUSING	58
1		3-694433-9	PAWL, FEED	57
1		240624-1	PIN, FEED FINGER	55
1		691499-1	SPRING, FEED FINGER	54
1		690541-1	HOLDER, FEED FINGER	53
1		455679-1	LEVER, TERMINAL FEED ARM	52
1		690602-6	CAM, PRE-FEED 1 5/8 ST	49
-		690602-5	CAM, PRE-FEED 1 1/8 ST	48
-		690501-4	CAM, POST-FEED 1 5/8 ST	47
1		690191-1	PLUG, NYLON	45
1		455673-1	RAM	44
1		690125-1	WASHER, LAMINATED	43
1		1-690124-4	WASHER, RAM	42
1		7-21002-9	BOLT, CRIMPER(5/16x1.00)	41
1		23241-6	BALL, STEEL	40
1		690170-1	SPRING, COMPRESSION	39
1		690142-1	DISC, INSULATION	38
1		354777-1	WIRE DISC, PLASTIC	37
1		22480-5	WASHER, SPRING	36
1		690212-1	POST, RAM	35
1		455675-3	PLATE, BASE	33
1		690432-3	ADJUSTMENT SCREW	32
1		455689-1	BLOCK, STRIP GUIDE ADJ	30
1		1-844048-7	PLATE, STRIP GUIDE	29
2		1-22282-3	SPRING, DRAG	27
1		356835-1	LEVER, DRAG RELEASE	26
1		1673009-1	DRAG, TERMINAL	25
1		690438-1	GUIDE, STRIP (REAR)	24
1		1-189124-4	GUIDE, STRIP (FRONT)	23
-		690472-2	STRIPPER	22
1		4-22284-9	SPRING, FEED RETURN	21
1		679218-1	STRIPPER WIRE STOP ASSY	20
1		458949-1	STRIPPER	19
1		1673256-2	PLATE, SHEAR (REAR)	15
1		1673255-1	HOLDER, SHEAR (REAR)	14
1		1673257-2	SHEAR, FLOAT (REAR)	13
1		4-22280-8	SPRING, SHEAR	12
1		1-21000-9	SCR,SHC(6-32x.75)SHEAR STOP	11
2		21055-5	WASHER,FLAT (#6) SHEAR STOP	10
1		2-662189-9	ANVIL	8
1		4-240641-7	SPACER, DEPRESSOR (REAR)	7
1		690468-6	DEPRESSOR, SHEAR (REAR)	6
1		1-238009-1	SPACER, BLOCK CRIMPER	4
1		4-683454-8	CRIMPER, INSULATION	3
1		1-455888-0	SPACER, CRIMPER	2
1		2-456408-8	CRIMPER, WIRE	1
-3	-2	-1	U/M	

THIS DRAWING IS A CONTROLLED DOCUMENT.

DIN C. ERISMAN 29NOV04
 CHK: T. ELBIN 29NOV04
 NAME: Tyco Electronics
 Tyco Electronics Corporation
 Harrisburg, PA 17105-3608

PRODUCT SPEC: SIDE FEED HDM APPLICATOR
 APPLICATION SPEC: -
 SIZE: A1
 CAGE CODE: 00779
 DRAWING NO: 1385845
 WEIGHT: -
 CUSTOMER DRAWING: -

SCALE: - SHEET: 1 of 1 REV: B