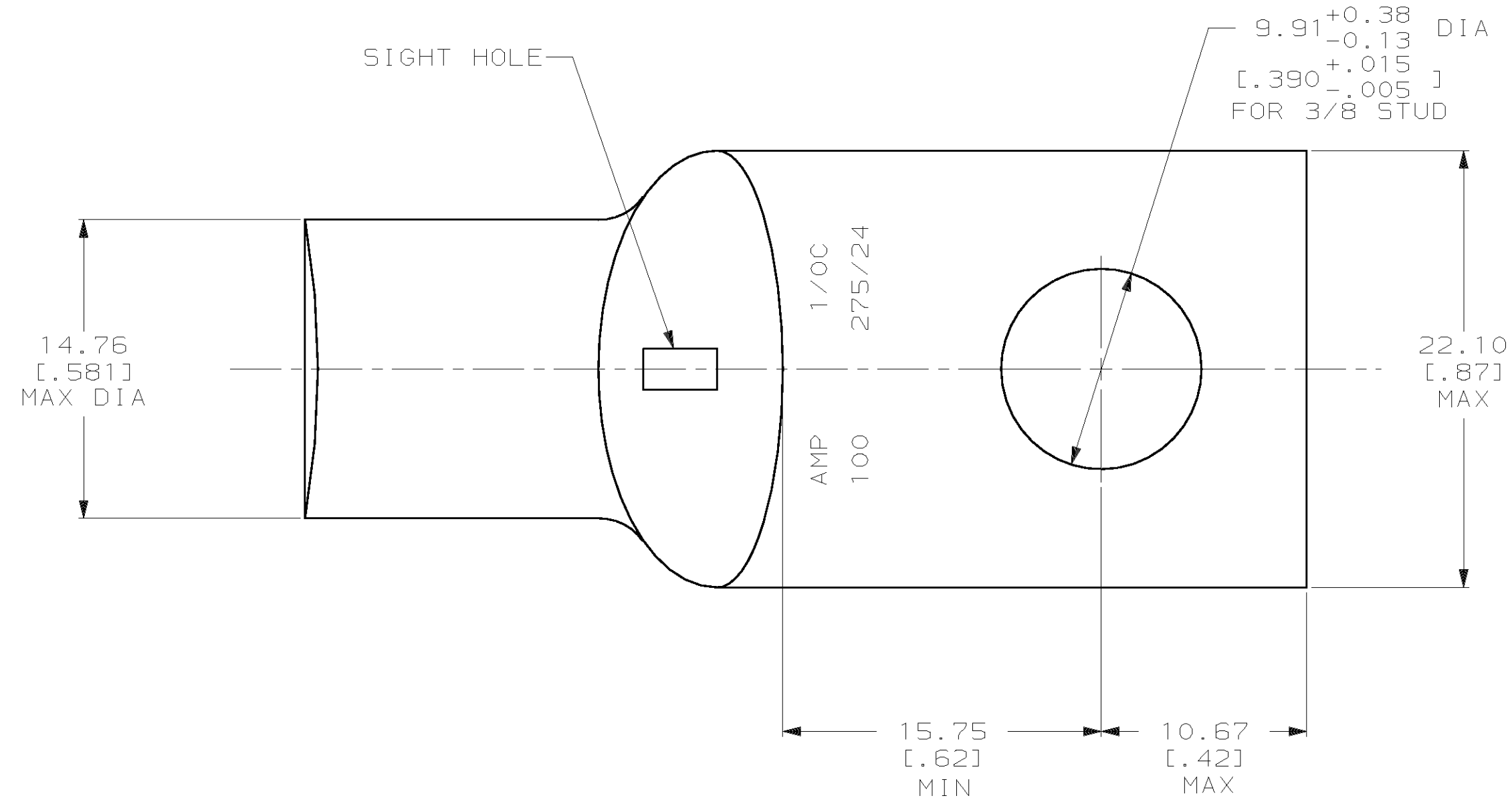
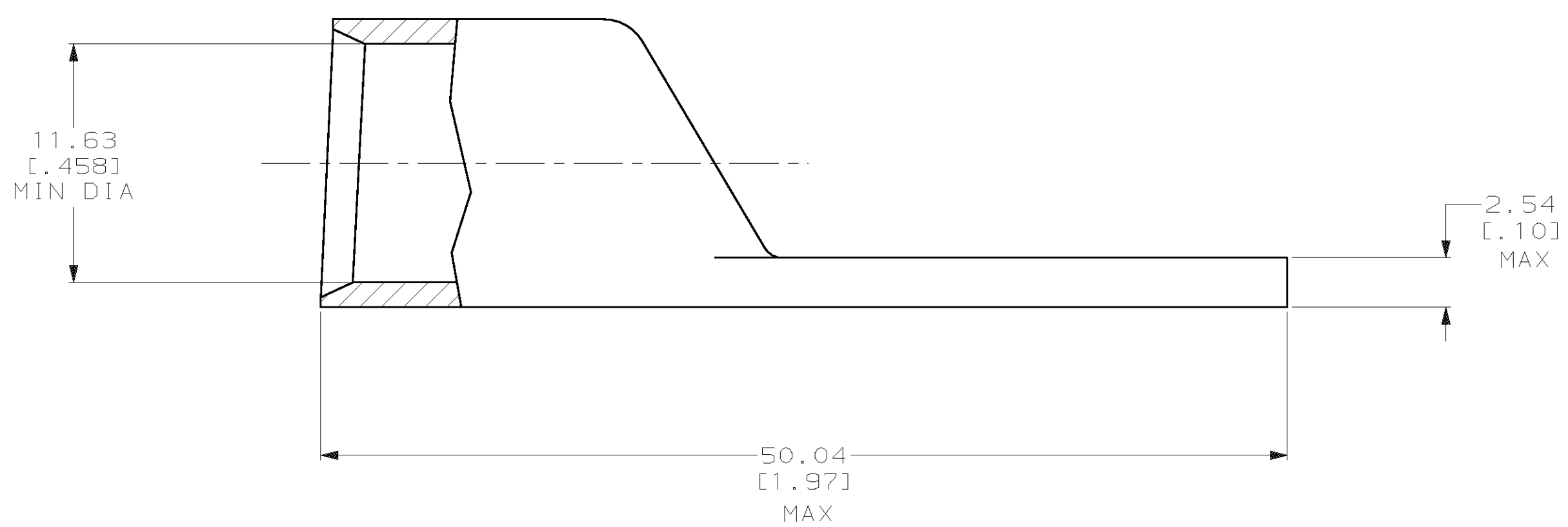


THIS DRAWING IS UNPUBLISHED. RELEASED FOR PUBLICATION, 19 .
 © COPYRIGHT 19 BY AMP INCORPORATED. ALL INTERNATIONAL RIGHTS RESERVED.

LOC		DIST		P		F		ZONE		LTR		REVISIONS		DATE	APPD
G		86								Y		REV PER 0G3A-0561-01		070CT02	JR/MS



1 CIRCULAR MIL RANGE: 83,700-119,500 CM
 2 TIN PL 0.00381 [.000150] MIN THK PER MIL-T-10727



DO NOT SCALE PRINT. UNLESS SPECIFIED DIMENSIONS IN mm [INCHES] TOLERANCES ON : 2 PLC DEC ± 0.51 [.020] 3 PLC DEC ± - ANGLES ± -		DR 02/28/90 DK SCHRUM	AMP INCORPORATED Harrisburg, Pa. 17105	
MATERIAL ANNEALED COPPER ASTM B-75		CHK 31AUG94 AJ KAUFMAN		
FINISH △		APPD 31AUG94 WJ VOCKROTH	NAME TERMINAL, AMPOWER WIRE SIZE: 1/0 AWG	
APPLICATION SPEC -		APPD 31AUG94 TL SHUTTER	SIZE C	CAGE CODE 00779
WEIGHT .041 LB		PRODUCT SPEC -	SCALE 4:1	DRAWING NO 325303
				SHEET 1 OF 1