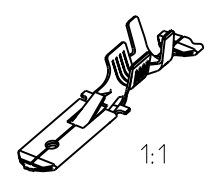
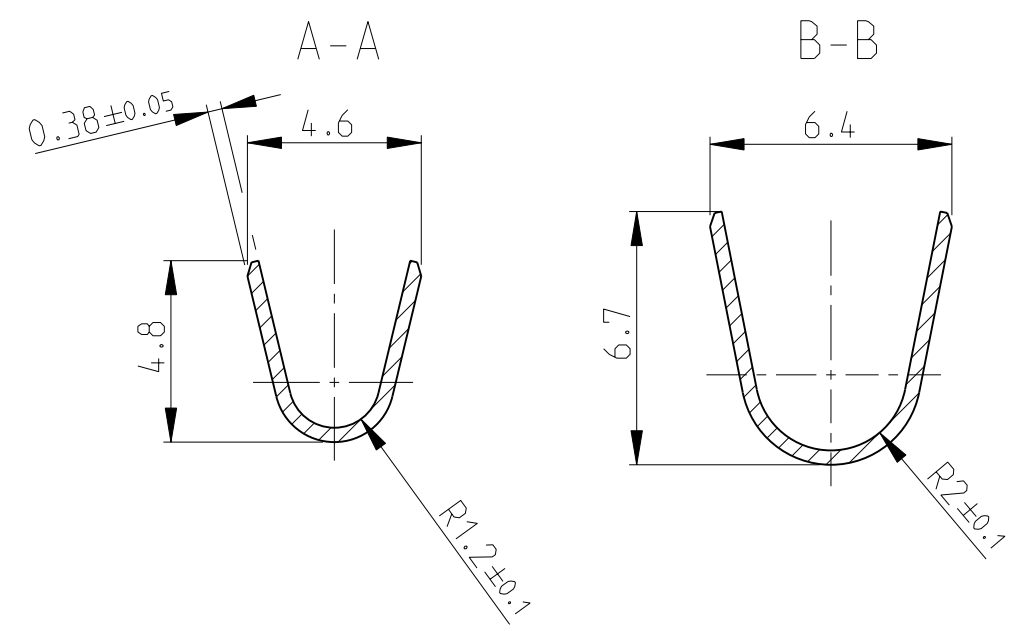
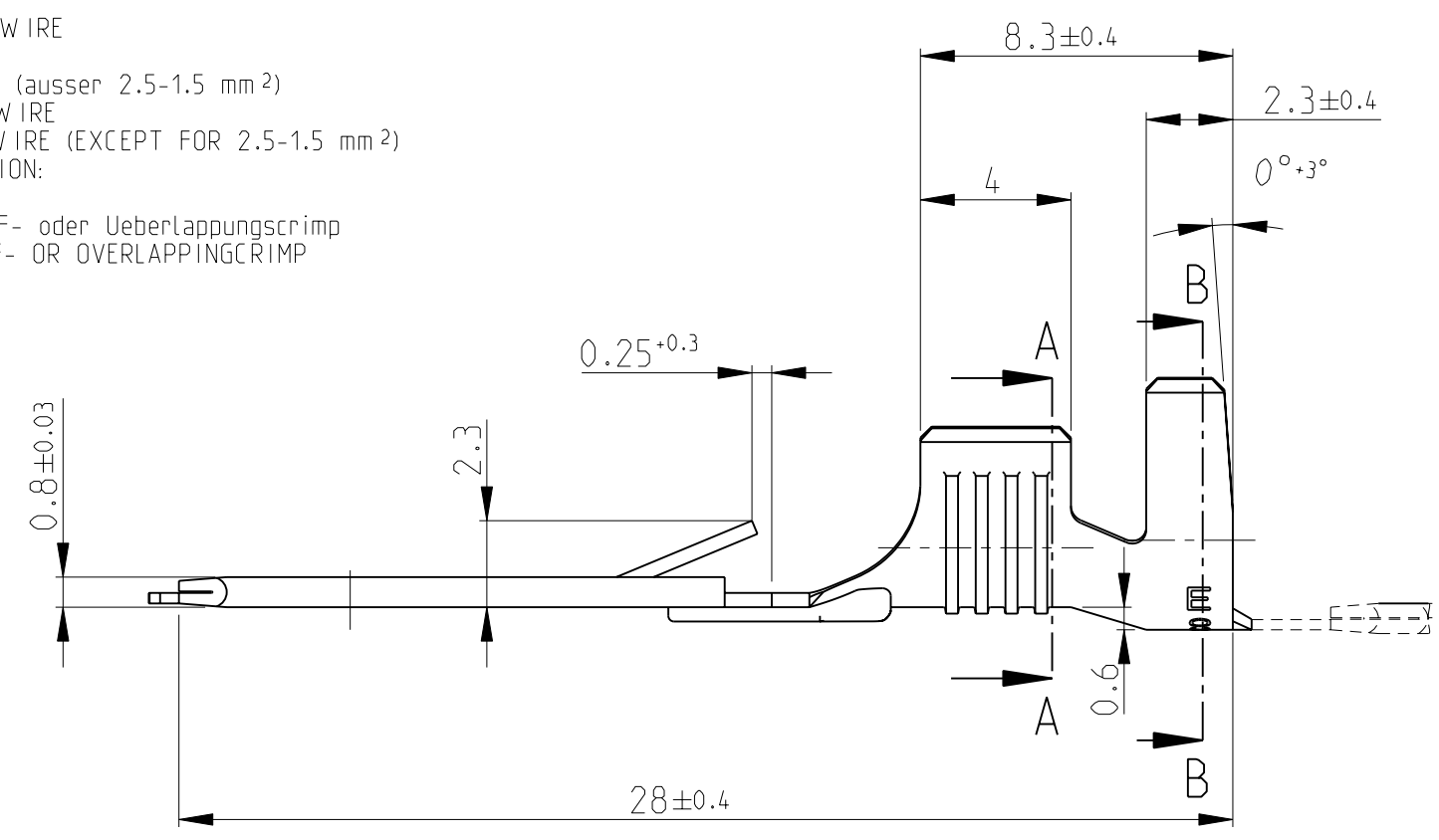


THIS DRAWING IS UNPUBLISHED. RELEASED FOR PUBLICATION 2006  
 © COPYRIGHT 2006 ALL RIGHTS RESERVED.

LOC	DIST	REVISIONS					
		P	LTR	DESCRIPTION	DATE	DWN	APVD
A1	-		E1	NEW CAD DRAWING CREATED	30NOV2006	Abr	Goep
			E2	ECR-10-026307	16JUN2011	KK	HMR

Leitung / WIRE  
 Einzelanschlag: FLK-Litze  
 SINGLE CONNECTION: FLK-WIRE  
 Doppelanschlag: FLR-Litze  
 FLK Litze (ausser 2.5-1.5 mm<sup>2</sup>)  
 DOUBLE CONNCTION: FLR WIRE  
 FLK WIRE (EXCEPT FOR 2.5-1.5 mm<sup>2</sup>)  
 Verarbeitung / APPLICATION:  
 Leiter / WIRE: F-Crimp  
 Isolation / INSULATION: F- oder Ueberlappungscrimp  
 F- OR OVERLAPPINGCRIMP



OBSOLETE	928950-7	vorverzinnt / PRE TIN	CuZn30	<del>928949-7</del>	E
OBSOLETE	<del>928950-4</del>	TIN (112-16-3) 2-10 µm	CuSn4	928949-4	E
	928950-3	blank / PLAIN	CuSn4	928949-3	E
	928950-2	verzinnt / TIN	CuZn30	928949-2	E
	928950-1	blank / PLAIN	CuZn30	928949-1	E
	LP NO.	FINISH	MATERIAL	PART NO.	REV.

Leitungsquerschnitt in mm <sup>2</sup> CROSS SECTION IN mm <sup>2</sup>		0.50	0.75	1.00	1.50	2.00	2.50	3.00	4.00	6.00
Einzel-anschlag SINGLE CONNECTION										
0.50										
1.00						X				
1.50				X	X					
2.50			X	X						
4.00	X									

Drahtgroessenbereich: >2.5-4.0 mm<sup>2</sup>  
 WIRE RANGE: >2.5-4.0 mm<sup>2</sup>  
 IsolationsØ: 3.3-4.5 mm  
 INSULATIONØ: 3.3-4.5 mm

THIS DRAWING IS A CONTROLLED DOCUMENT.		DWN	04.03.87
DIMENSIONS: mm		CHK	04.03.87
TOLERANCES UNLESS OTHERWISE SPECIFIED:		APVD	-
0 PLC ±0.2 1 PLC ±0.2 2 PLC ±0.2 3 PLC ±0.2 4 PLC ±0.2 ANGLES ±1°		PRODUCT SPEC	-
MATERIAL -		APPLICATION SPEC	-
FINISH -		WEIGHT	0.9 g
-		CUSTOMER DRAWING	

STE TE Connectivity			
NAME 6.3 Fastin -on Flachstecker 6.3 FASTIN -ON TAB nach / ACCORDING DIN 46343			
SIZE	CAGE CODE	DRAWING NO	RESTRICTED TO
A3	00779	©=928949	-
SCALE 5:1		SHEET 1 OF 1	REV E2