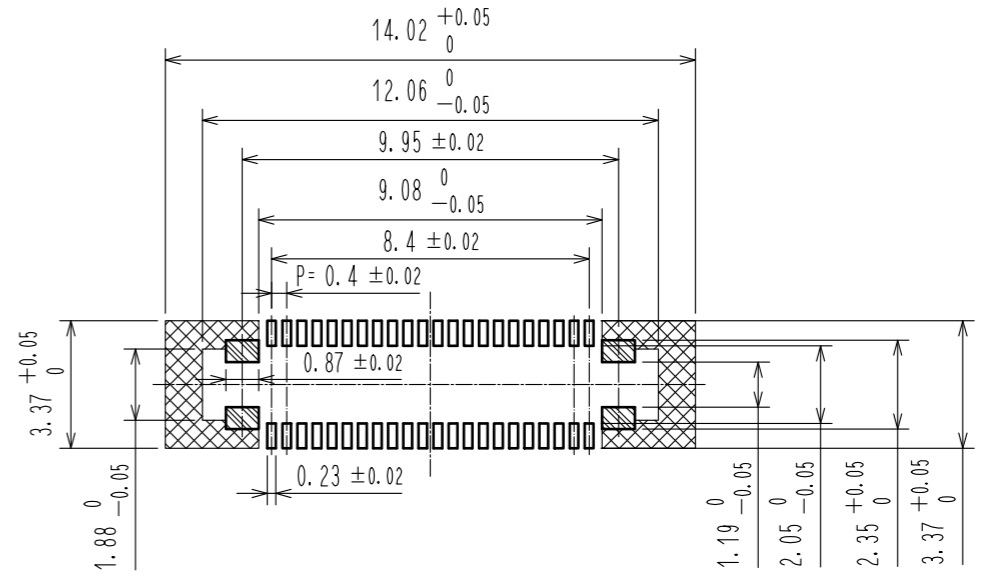
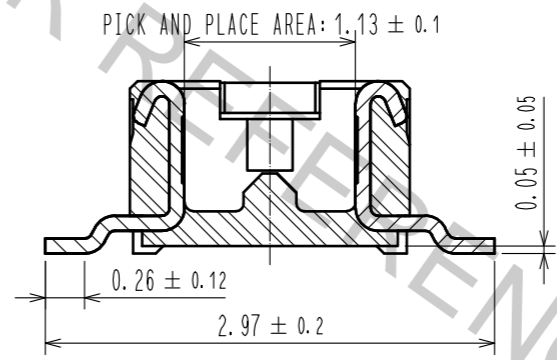


RECOMMENDED PATTERN (5:1)



: SIGNAL
 : GROUND
 : NON-CONDUCTIVE AREA
 RECOMMENDED METAL MASK THICKNESS : 120 μm
 RECOMMENDED MASK OPENING RATIO : 80% FOR LEAD PAD

A-A (20:1)

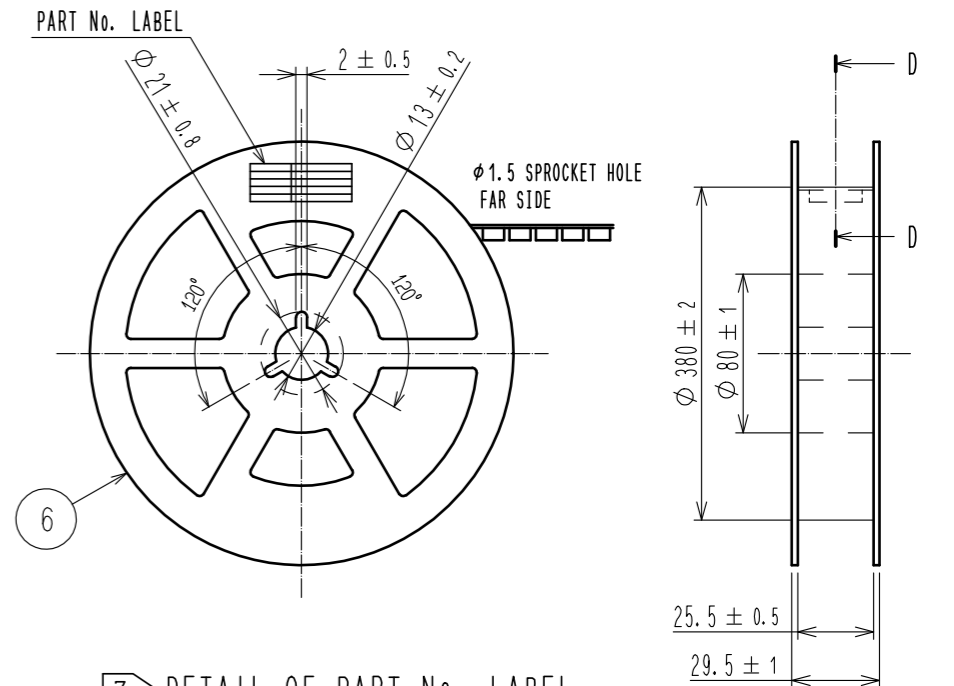
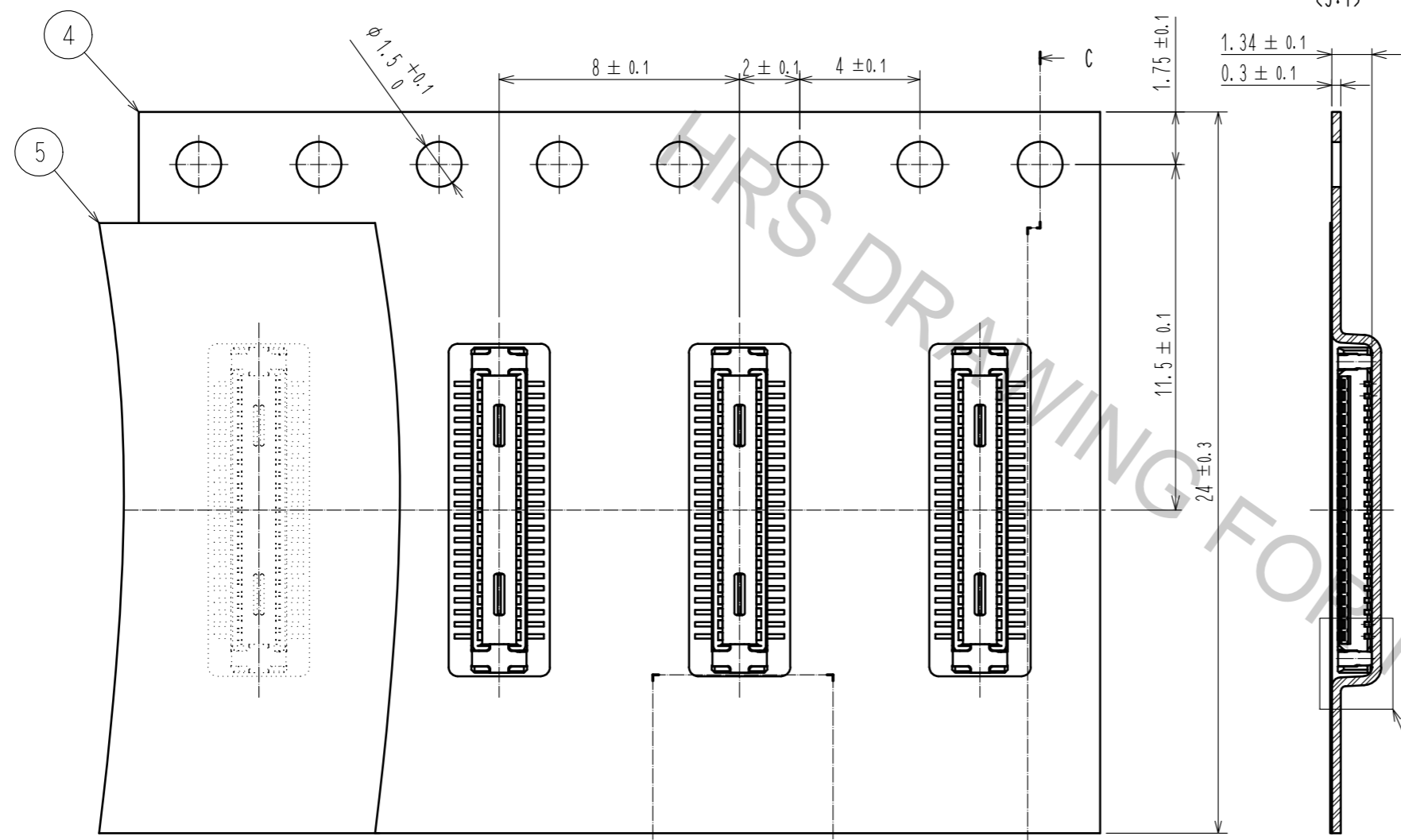


- NOTES
1. ALL LEAD CO-PLANARITY SHALL BE 0.1mm MAX.
 2. PLATING SPECIFICATIONS
 CONTACT AREA : GOLD 0.05 μm MIN
 SMT LEAD : GOLD 0.05 μm MIN
 UNDER PLATING : NICKEL 1 μm MIN
 (SURFACE : SEALING)
 3. HRS MARK AND CAV No. ARE INDICATED IN APPROX POSITION SHOWN.

3	STAINLESS STEEL	2	7	PS	CLEAR(REINFORCEMENT COLLAR)			
2	PHOSPHOR BRONZE	2	6	PS	BLACK(PLASTIC REEL)			
1	LCP	BLACK, UL94 V-0	5	POLYESTER	CLEAR(COVER TAPE)			
			4	PS	CLEAR(EMBOSSED CARRIER TAPE)			
NO.	MATERIAL	FINISH, REMARKS	NO.	MATERIAL	FINISH, REMARKS			
UNITS	mm	SCALE	10:1	COUNT	DESCRIPTION OF REVISIONS	DESIGNED	CHECKED	DATE
HIROSE ELECTRIC CO., LTD.		APPROVED	MO. ISHIDA	15.02.06	DRAWING NO. EDC-355294-51-02			
		CHECKED	WR. FUKUCHI	15.02.06	PART NO. DF40GL-44DP-0.4V(51)			
		DESIGNED	SJ. WADA	15.02.06	CODE NO. CL684-4412-2-51			
		DRAWN	SJ. WADA	15.02.06	1/2			

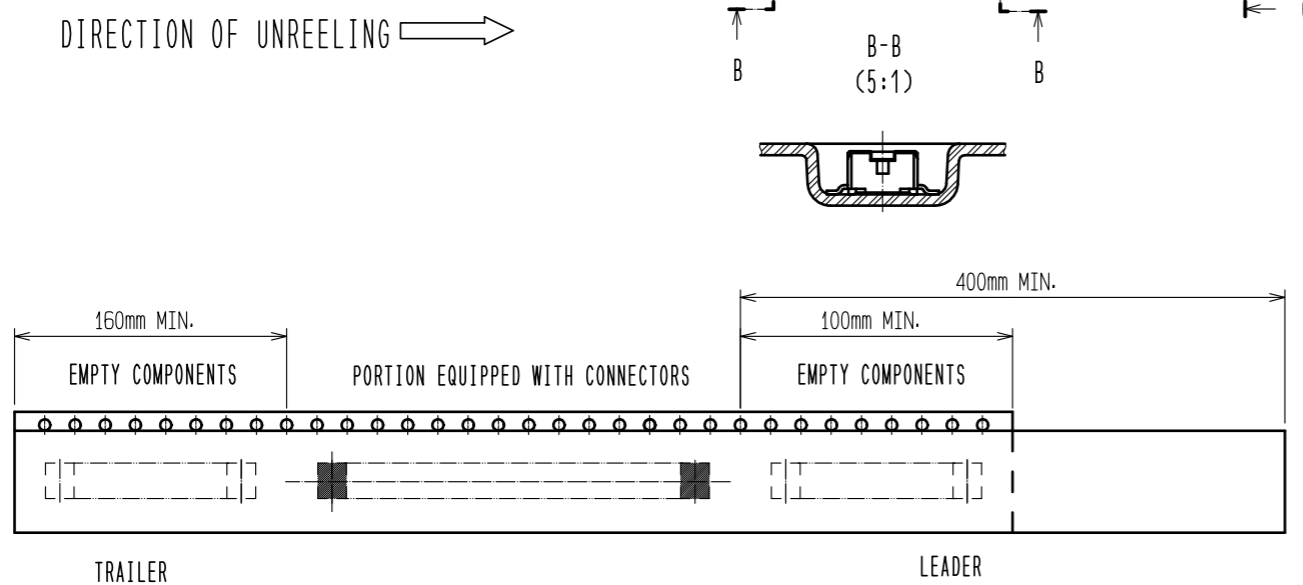
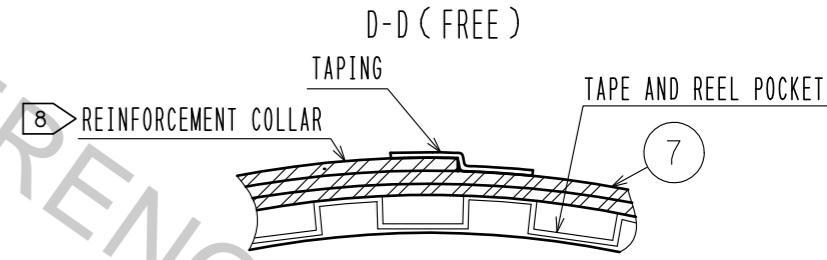
EMBOSSED CARRIER TAPE PACKAGING (5:1)

STYLE AND DIMENSION OF REEL (FREE)



7) DETAIL OF PART No. LABEL

製造年月日	** ** *
製品コード	CL684-4412-2-51
製品名	DF40GL-44DP-0.4V(51)
数量	5,000
納入者	ヒロセ電機(株)



- NOTES
- 4. PER REEL 5000 CONNECTORS.
 - 5. THE DIMENSIONS IN PARENTHESES ARE FOR REFERENCE.
 - 6) REFER TO JIS C 0806 (IEC 60286-3, PACKING OF COMPONENTS FOR AUTOMATIC HANDLING)
 - 7) DETAIL OF PART No. LABEL IS WRITTEN IN JAPANESE. PART No. LABEL DESCRIBES THE FOLLOWING INFORMATION FROM TOP.
 PRODUCTION DATE:
 PRODUCT CODE: CL684-4412-2-51
 PART NUMBER: DF40GL-44DP-0.4V(51)
 NUMBER OF PIECES: 5000 PIECES
 SUPPLIER NAME: HIROSE ELECTRIC CO., LTD.
 - 8) AFTER PACKAGING, ROLL 2 METERS OF THE REINFORCEMENT COLLAR TO OUTER CIRCUMFERENCE OF TAPE AND REEL POCKET, AND TAPE DOWN AT THE END THE COLLAR.

HRS	DRAWING NO.	EDC-355294-51-02
	PART NO.	DF40GL-44DP-0.4V(51)
	CODE NO.	CL684-4412-2-51
		2/2

Apr.1.2017 Copyright 2017 HIROSE ELECTRIC CO., LTD. All Rights Reserved.