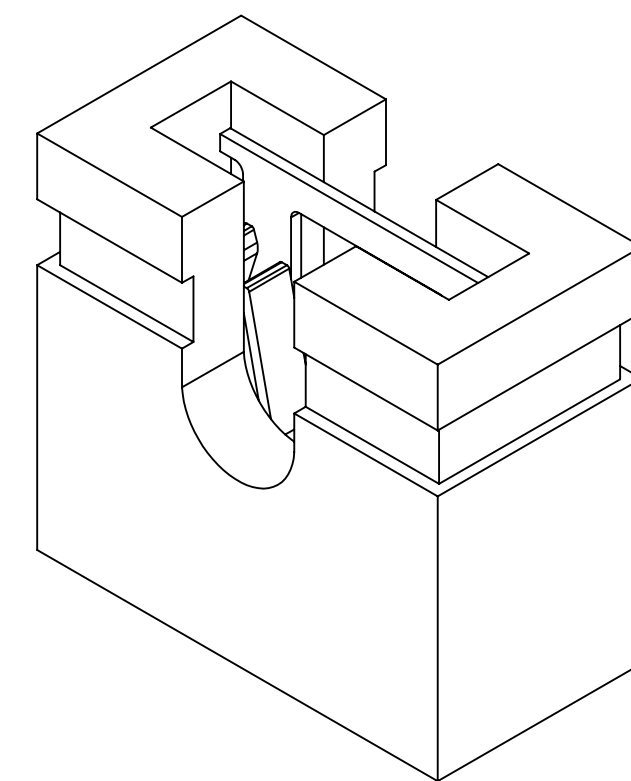
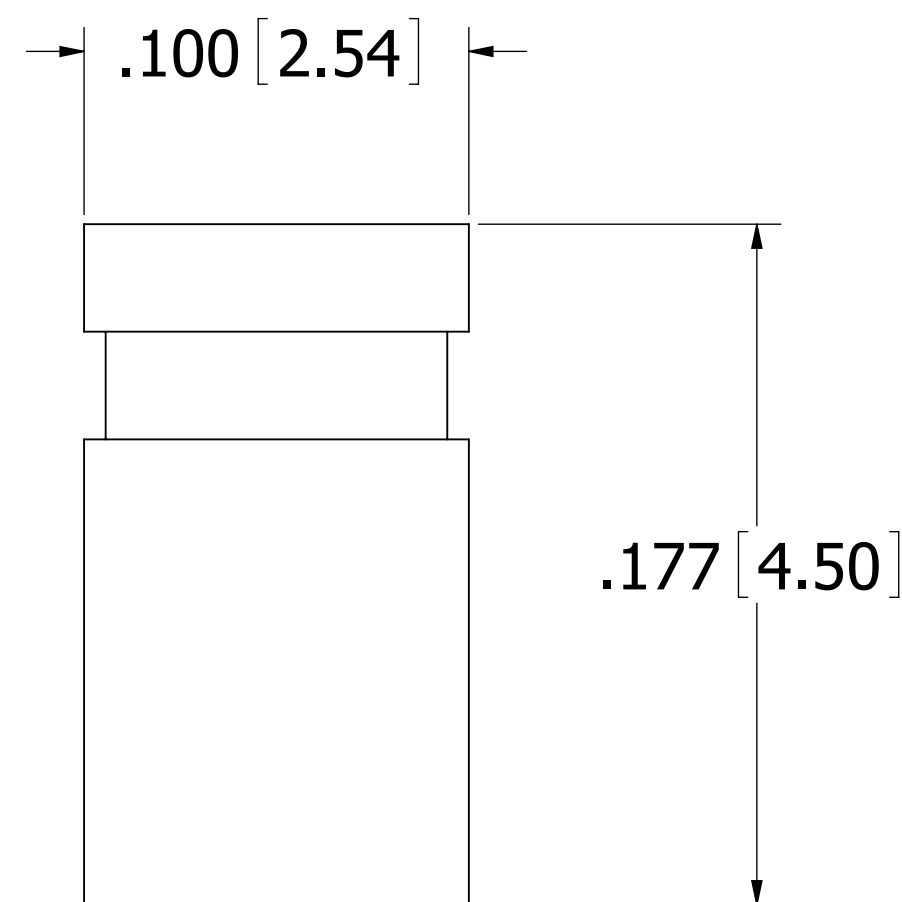
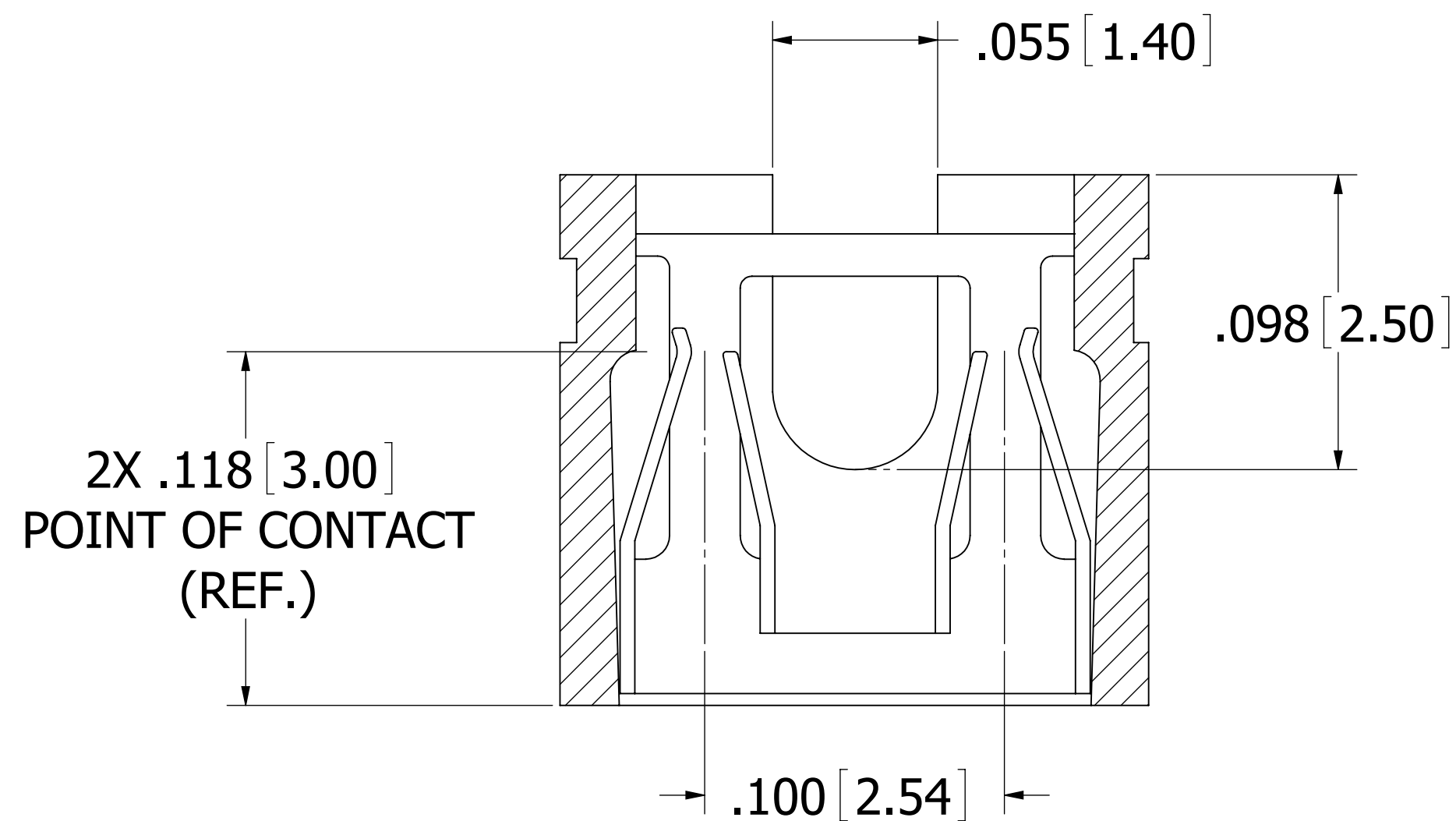
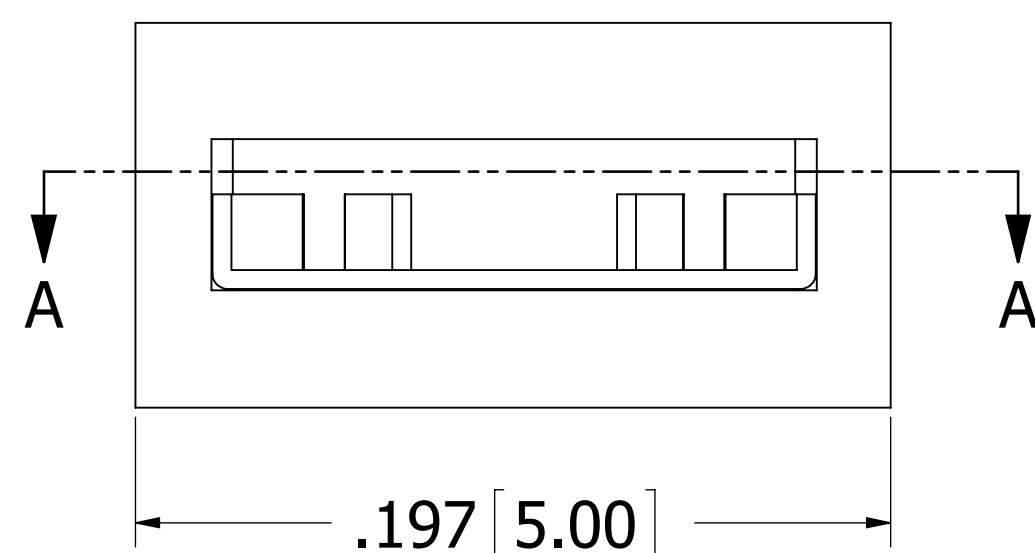


REVISIONS				
REV.	ECO. NO	DESCRIPTION	DATE	BY
A	2146	INITIAL RELEASE	07/16/2010	LH
B	2456	CORRECTED OPEN TOP VIEW TO MATCH PART, UPDATED DWG FORMAT	9/22/2011	JH

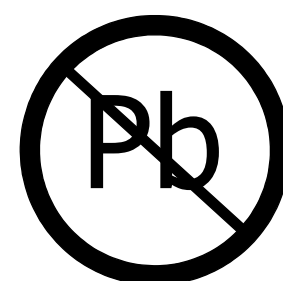


SECTION A - A



NOTES:

1. INSULATOR MATERIAL: PBT.
2. CONTACT MATERIAL: PHOSPHOR BRONZE.
3. PLATING: GOLD FLASH OVERALL.
4. UL FLAMMABILITY RATING: 94V-0.
5. DIELECTRIC WITHSTANDING VOLTAGE: 650V AC.
6. CURRENT RATING: 3 AMPS PER CONTACT.
7. CONTACT RESISTANCE: 30 MILLI OHMS MAX.
8. INSULATION RESISTANCE: 1000 MEGA OHMS.
9. OPERATING TEMPERATURE: -40 ° TO +85 ° C
10. DOUBLE TUNING FORK TYPE CONTACT, ACCOMMODATES .025"[0.64mm] SQ PINS. .100"[2.54mm] PITCH LOW-PROFILE MINI TYPE.



RoHS COMPLIANT

UNLESS OTHERWISE SPECIFIED: DIMENSIONS ARE IN INCHES [MM]		DRAWN	DATE	NAME		
TOLERANCES: ANGULAR: ± 30'			9/22/2011	JH		
.XX = ± .012 [.30] .XXX = ± .008 [.20] .XXXX = ± .004 [.10]		<small>THE INFORMATION HEREIN CONTAINS PROPRIETARY INFORMATION OF SULLINS ELECTRONICS AND IS NOT TO BE REPRODUCED, USED OR DISCLOSED TO OTHERS FOR ANY PURPOSE EXCEPT AS SPECIFICALLY AUTHORIZED IN WRITING BY AN OFFICER OF SULLINS ELECTRONICS.</small>			TITLE MINI SHUNT, .100" CC, OPEN TOP	
INTERPRET DIMENSIONS AND TOLERANCING PER: ASME Y14.5M-2009					PART NUMBER SPC02SXCN-RC	
		SIZE	CAGE CODE	DWG. NO.	REV	
		C	54453	11508	B	
		SCALE: 16:1		SHEET 1 OF 1		