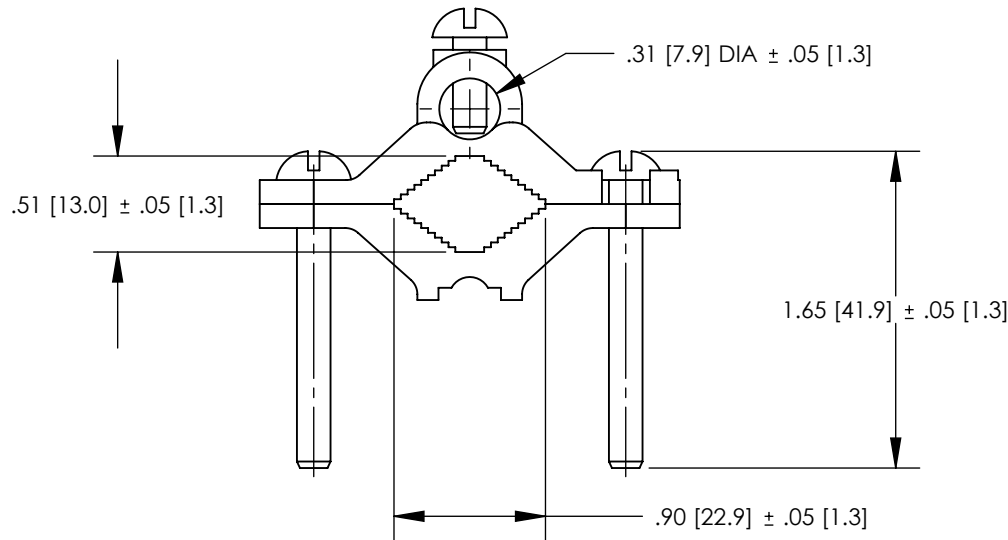
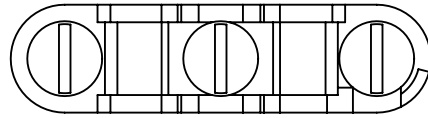


THIS COPY IS PROVIDED ON A RESTRICTED BASIS AND IS NOT TO BE USED IN ANY WAY DETRIMENTAL TO THE INTERESTS OF PANDUIT CORP.



NOTES:

1. MATERIAL:
BODY - BRONZE (GUN METAL)
SCREW - STEEL, ZINC PLATED
2. PARTS ARE cULus LISTED TO UL467 AS GROUNDING & BONDING EQUIPMENT.
3. SEE WWW.PANDUIT.COM FOR PART NUMBER SUFFIX DESIGNATION FOR PACKAGE SIZE.



PART NUMBER	DESCRIPTION	WATER PIPE	GROUNDING WIRE
GPCJ2-1	GROUND CLAMP BARE WIRE JUNIOR TYPE LIGHTER CONSTRUCTION	1/2" - 1"	10 - 4 STR

REV	DATE	BY	CHK	APR	DESCRIPTION	ECN
00	7/12	JHNU	SRBI	RGB	DRAWING RELEASED	10J018AE-JC

TITLE BRONZE GROUND PIPE CLAMP - 1/2"-1" (GPCJ2-1) CUSTOMER DRAWING	
ITEM REVISION NAME	10J018AE/00
DATASET FILE NAME	10J018AE-JC/00.SLDDRW
UNLESS OTHERWISE SPECIFIED, DIMENSIONAL TOLERANCES ARE: IN [mm] .X ± .XXX ± .XX ± ANGLES ±	
THIRD ANGLE PROJECTION	
DRAWN BY	JHNU
DATE	7/12
CHK	SRBI
SCALE	N/A
MATERIAL SEE NOTES	
DRAWING NUMBER	10J018AE-JC
SHEET 1 OF 1	
SIZE	A