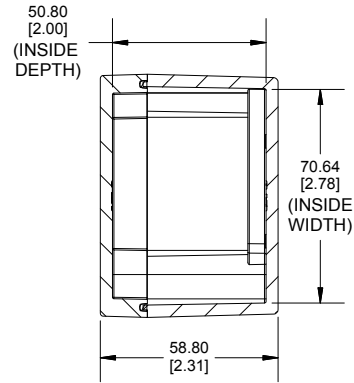
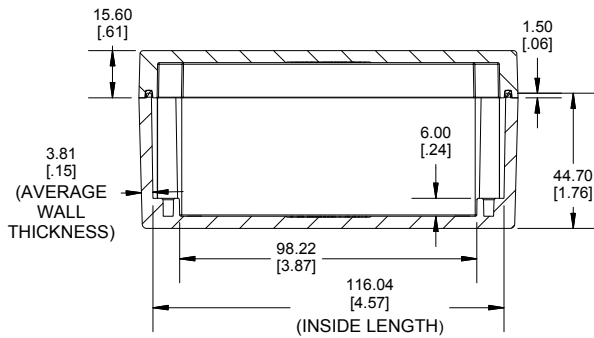
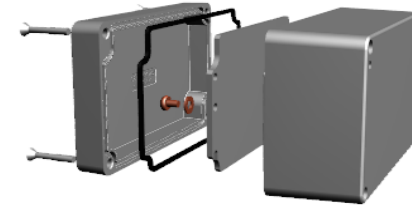


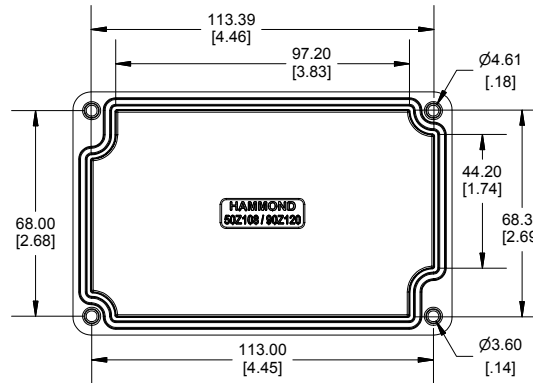
TOP VIEW



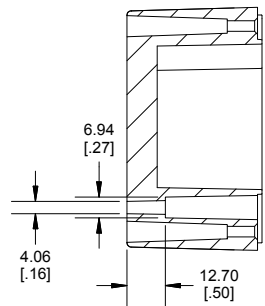
**SECTION A-A
END VIEW**



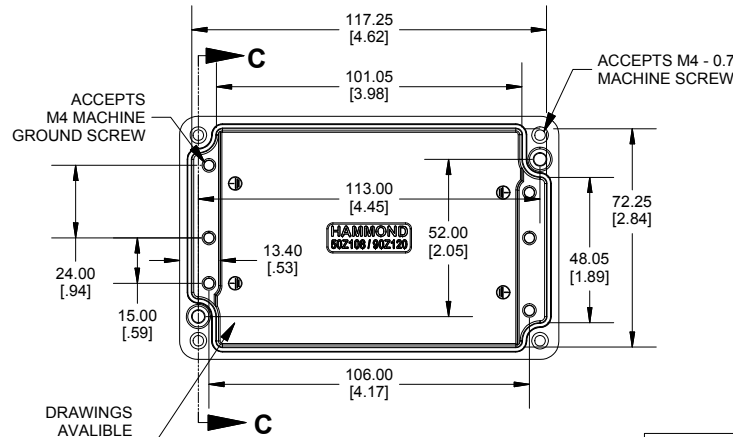
**SECTION B-B
SIDE VIEW**



INSIDE LID



**SECTION C-C
MOUNTING HOLE**



INSIDE BOX

Dimensions:
mm
[inches]

UL US LISTED
FILE #E65324
NEMA 4, 4X, 6, 6P

Enclosures can be Factory Modified (Milling, Drilling, Printing etc.)
Contact Factory mjm@hammondmfg.com for quotes
Solid models of this enclosure available in STEP or IGES.
(Part number and text placement/orientation on our products are subject to change, we do not recommend using them as a locating reference for modification purposes)

NOTE	
Purchased assembly includes box, lid, silicone gasket, 4 cover screws and 2 ground screws with washers. Box and lid are made from Diecast Aluminum Alloy.	
Recommended cover screw Torque 5-7.5 lbf.in (50 -75 cN.m)	
1590Z120	
1590Z120 Enclosure	
Natural Enclosure	1590Z120
Black Enclosure	1590Z120BK
Grey Enclosure - RAL7001 Gloss	1590Z120GY
ACCESSORIES	
Steel Inner Panel	1590Z120PL
Pre-Formed Silicone Gasket (2 Pack)	1590Z120G
Copper Ground Hardware (50 Pack) [M4 - 0.7 X 6mm / M4 Washer]	SCGM4-50
Stainless Steel Cover screws (50 pkg) [M4 - 0.7 x 25mm]	SC1550Z107-50

**HAMMOND
MANUFACTURING®**

1590Z120

www.hammondmfg.com