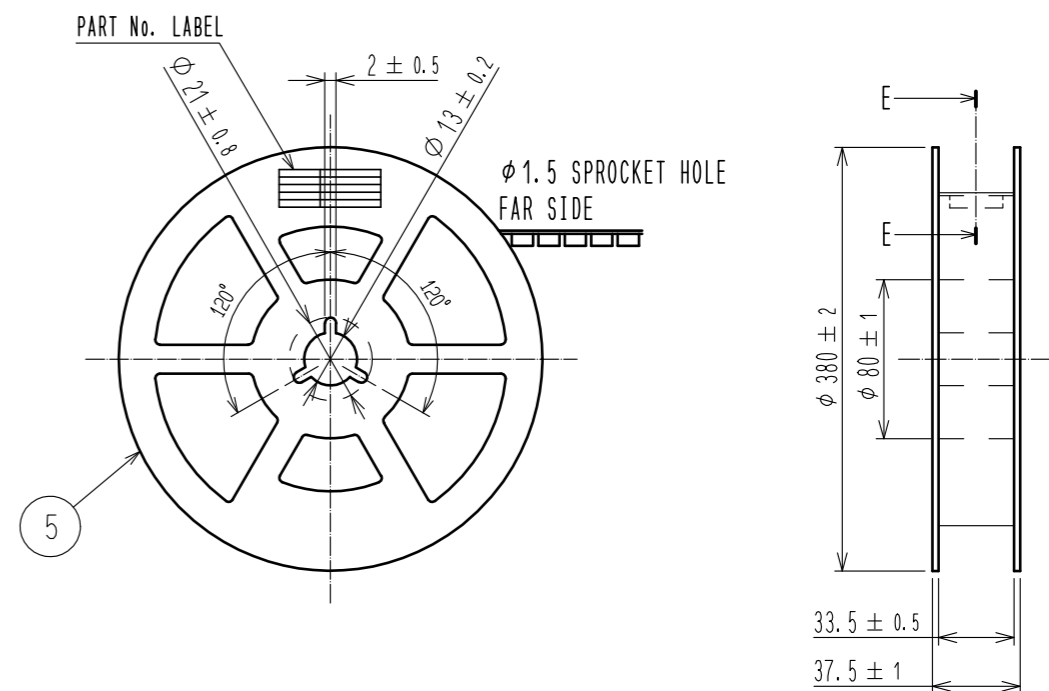
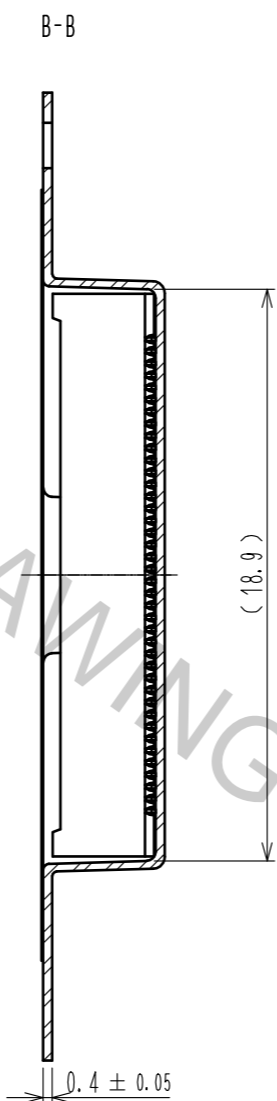
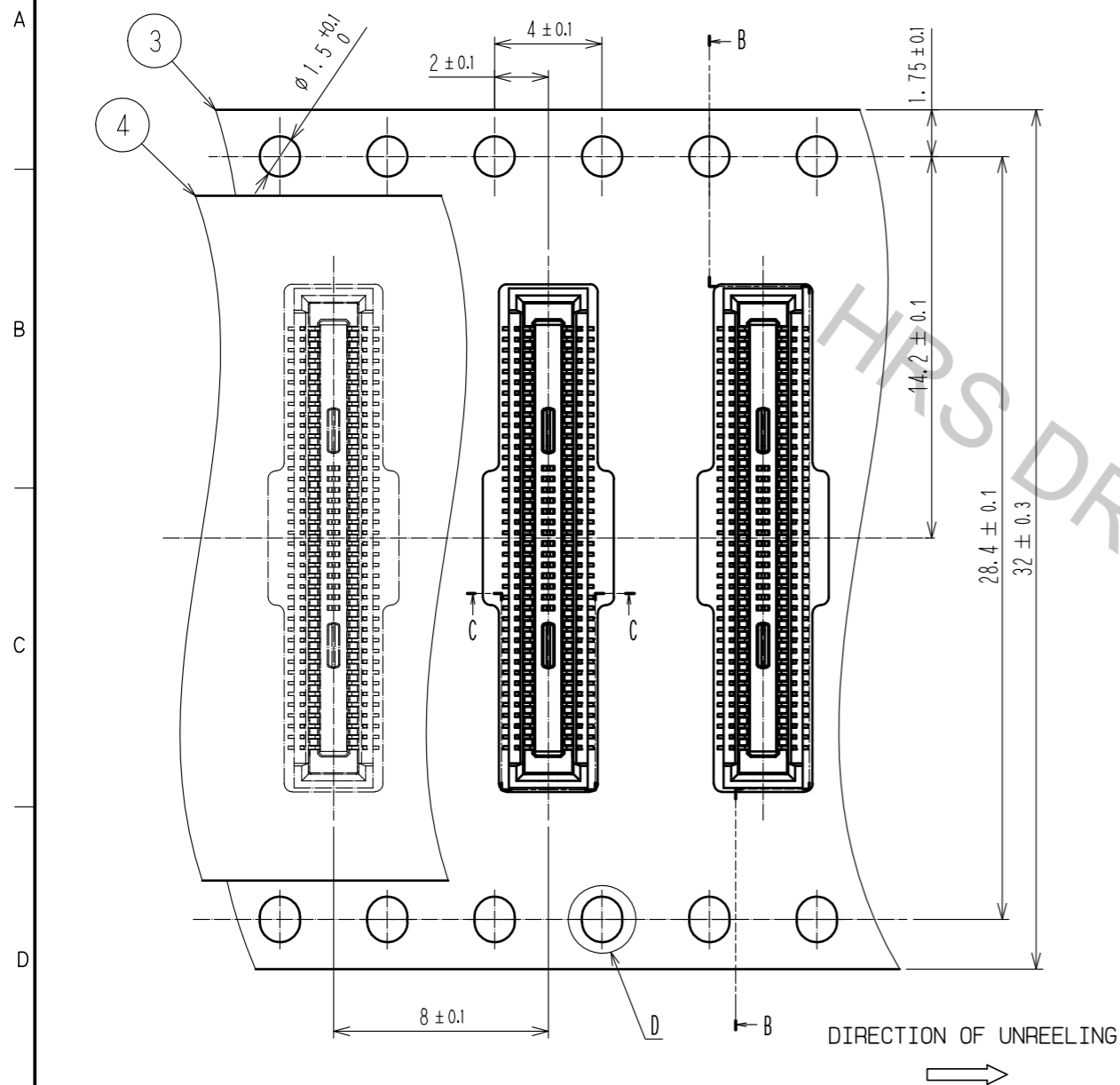


| 2 | PHOSPHOR BRONZE | CONTACT AREA: Au 0.05 μm MIN SMT LEAD: Au 0.05 μm MIN UNDERPLATING: NICKEL 1 μm MIN | 6 | PS | CLEAR, REINFORCEMENT COLLAR | | |
|------------------------|-----------------|---|----------|------------------------------------|------------------------------|---------|------|
| | | | 5 | PS | BLACK, PLASTIC REEL | | |
| | | | 4 | POLYESTER | CLEAR, COVER TAPE | | |
| 1 | LCP | BLACK, UL94V-0 | 3 | PS | CLEAR, EMBOSSED CARRIER TAPE | | |
| NO. | MATERIAL | FINISH . REMARKS | NO. | MATERIAL | FINISH . REMARKS | | |
| UNITS | ⊙ | SCALE | COUNT | DESCRIPTION OF REVISIONS | DESIGNED | CHECKED | DATE |
| mm | | 10: 1 | △ | | | | |
| APPROVED : MO. ISHIDA | | | 15.07.15 | DRAWING NO. EDC-337747-51-01 | | | |
| CHECKED : TS. MIYAZAKI | | | 15.07.15 | PART NO. DF40HC(3.5)-80DS-0.4V(51) | | | |
| DESIGNED : SH. HOSODA | | | 15.07.15 | CODE NO. CL684-4162-7-51 | | | |
| DRAWN : KR. AJITO | | | 15.07.15 | 1/2 | | | |

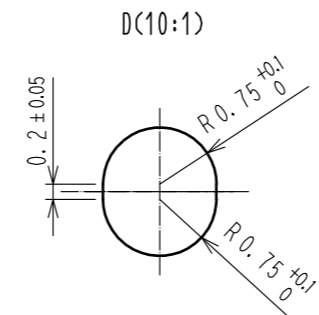
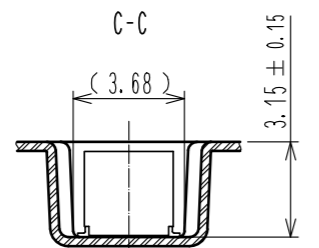
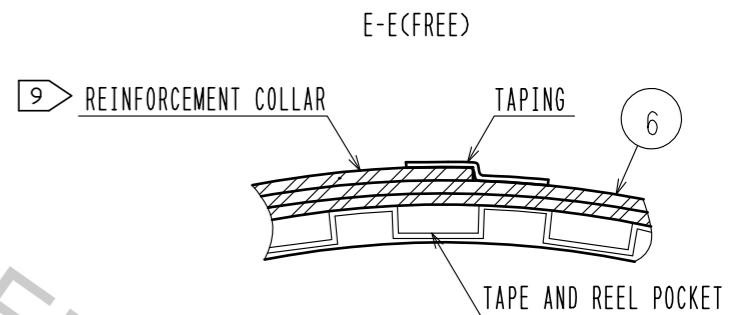
EMBOSSED CARRIER TAPE PACKING(FREE)

STYLE AND DIMENSION OF REEL(FREE)

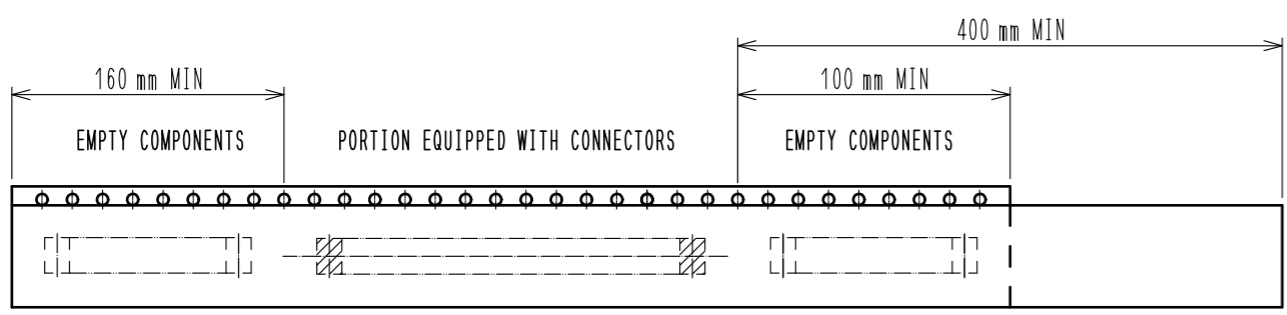


8 DETAIL OF PART No. LABEL

| | |
|-------|---------------------------|
| 製造年月日 | ** ** * |
| 製品コード | CL684-4162-7-51 |
| 製品名 | DF40HC(3.5)-80DS-0.4V(51) |
| 数量 | 4000 |
| 納入者 | ヒロセ電機(株) |



- NOTES
- PER REEL 4000 CONNECTORS.
 - THE DIMENSIONS IN PARENTHESES ARE FOR REFERENCE.
 - REFER TO JIS C 0806, IEC 60286-3 (PACKING OF COMPONENTS FOR AUTOMATIC HANDLING)
 - DETAIL OF PART No. LABEL IS WRITTEN IN JAPANESE. PART No. LABEL DESCRIBES THE FOLLOWING INFORMATION FROM TOP.
 PRODUCTION DATE:
 PRODUCT CODE: CL684-4162-7-51
 PART NUMBER: DF40HC(3.5)-80DS-0.4V(51)
 NUMBER OF PIECES: 4000 PIECES
 SUPPLIER NAME: HIROSE ELECTRIC CO., LTD.
 - AFTER PACKAGING, ROLL 2 METERS OF THE REINFORCEMENT COLLAR TO OUTER CIRCUMFERENCE OF TAPE AND REEL POCKET, AND TAPE DOWN AT THE END THE COLLAR.



| | | |
|------------|-------------|---------------------------|
| HRS | DRAWING NO. | EDC-337747-51-01 |
| | PART NO. | DF40HC(3.5)-80DS-0.4V(51) |
| | CODE NO. | CL684-4162-7-51 |
| | | 2/2 |

Apr.1.2017 Copyright 2017 HIROSE ELECTRIC CO., LTD. All Rights Reserved.