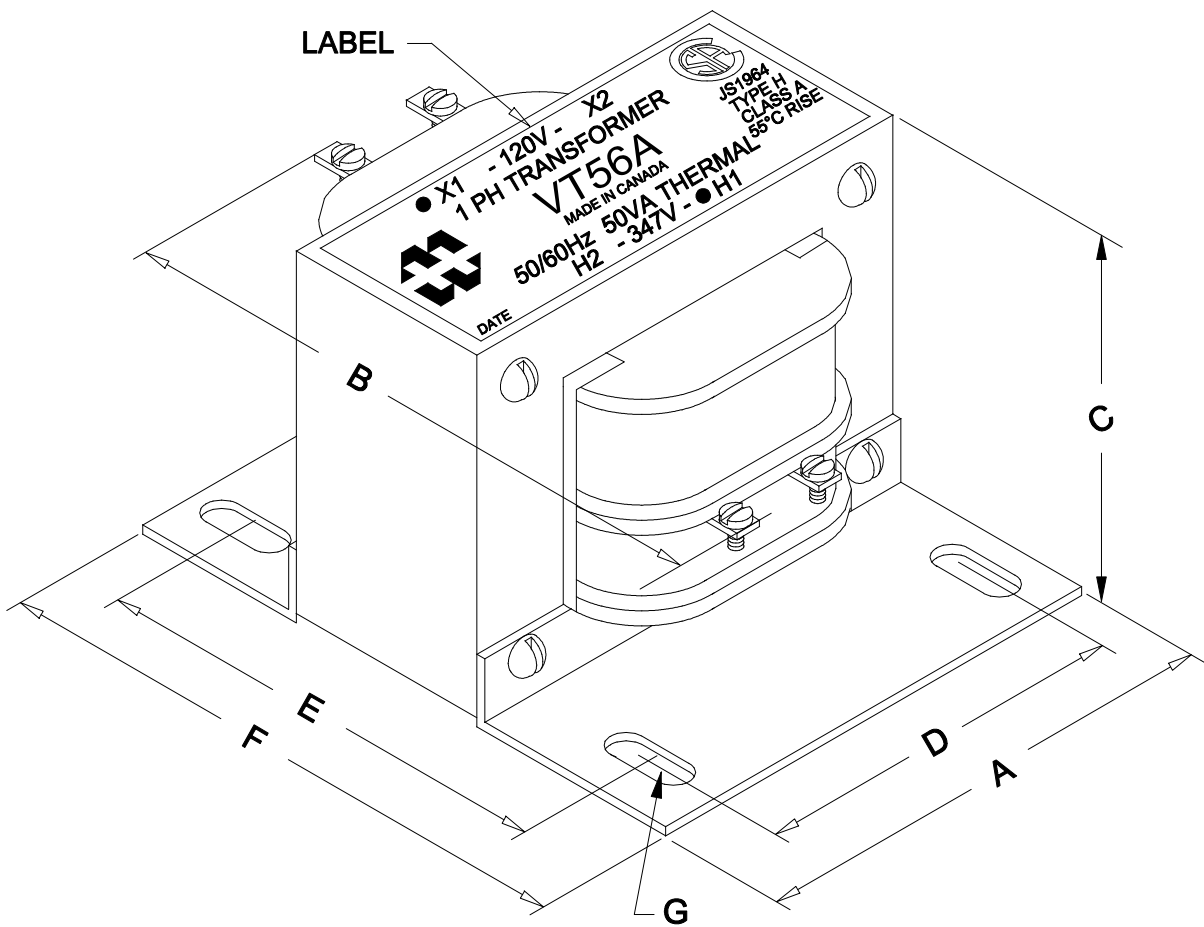
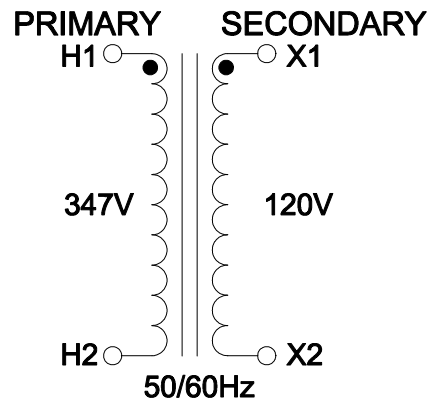


EDBVT56A

DIMENSIONS:	
A	3.000" ±0.063
B	3.250" ±0.125
C	2.500" ±0.063
D	2.500" ±0.063
E	2.500" ±0.063
F	3.250" ±0.063
G	0.219" x 0.438" ±0.015



**HAMMOND**  
**MANUFACTURING**™

**ELECTRONIC DIVISION**  
52 RANKIN PLACE,  
WATERLOO, ONTARIO, N2J 3Z5  
PH # (519) 886-6181  
FAX # (519) 886-9540

TITLE

VT56A

NO	DATE	REVISION	DWG. BY
0	08/16/12	RELEASED. C.I.	CORINA ILIE
			DATE
			08/16/12
			DIM IN(×)MM( )

EDBVT56A