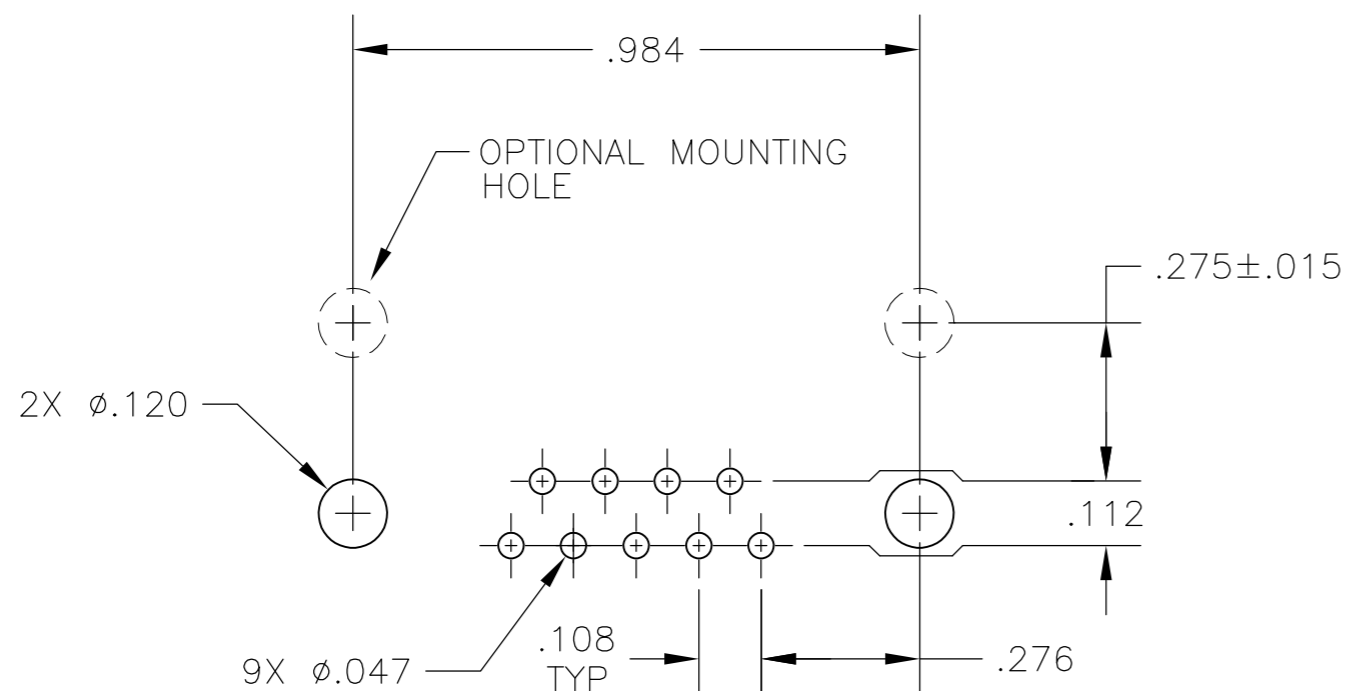
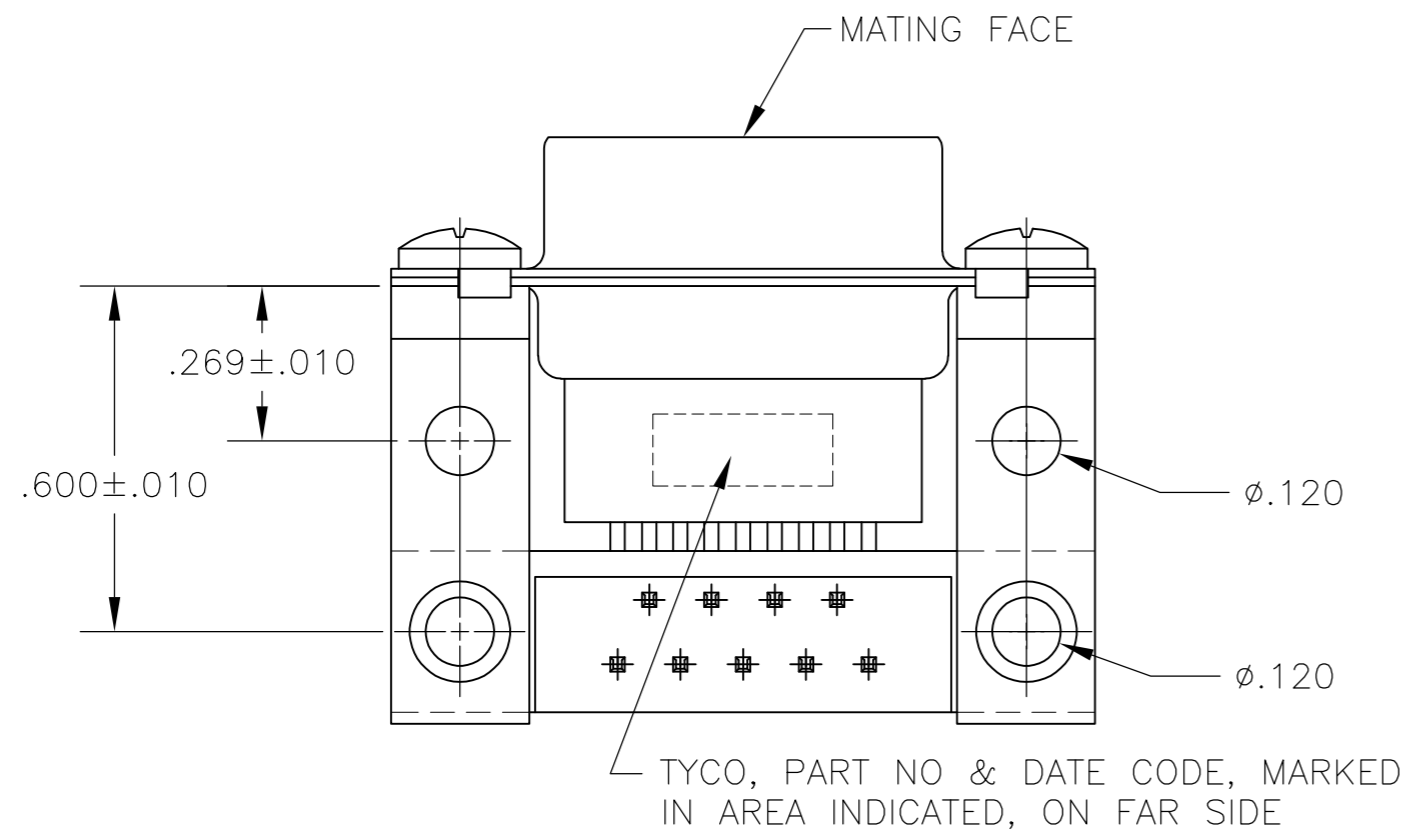
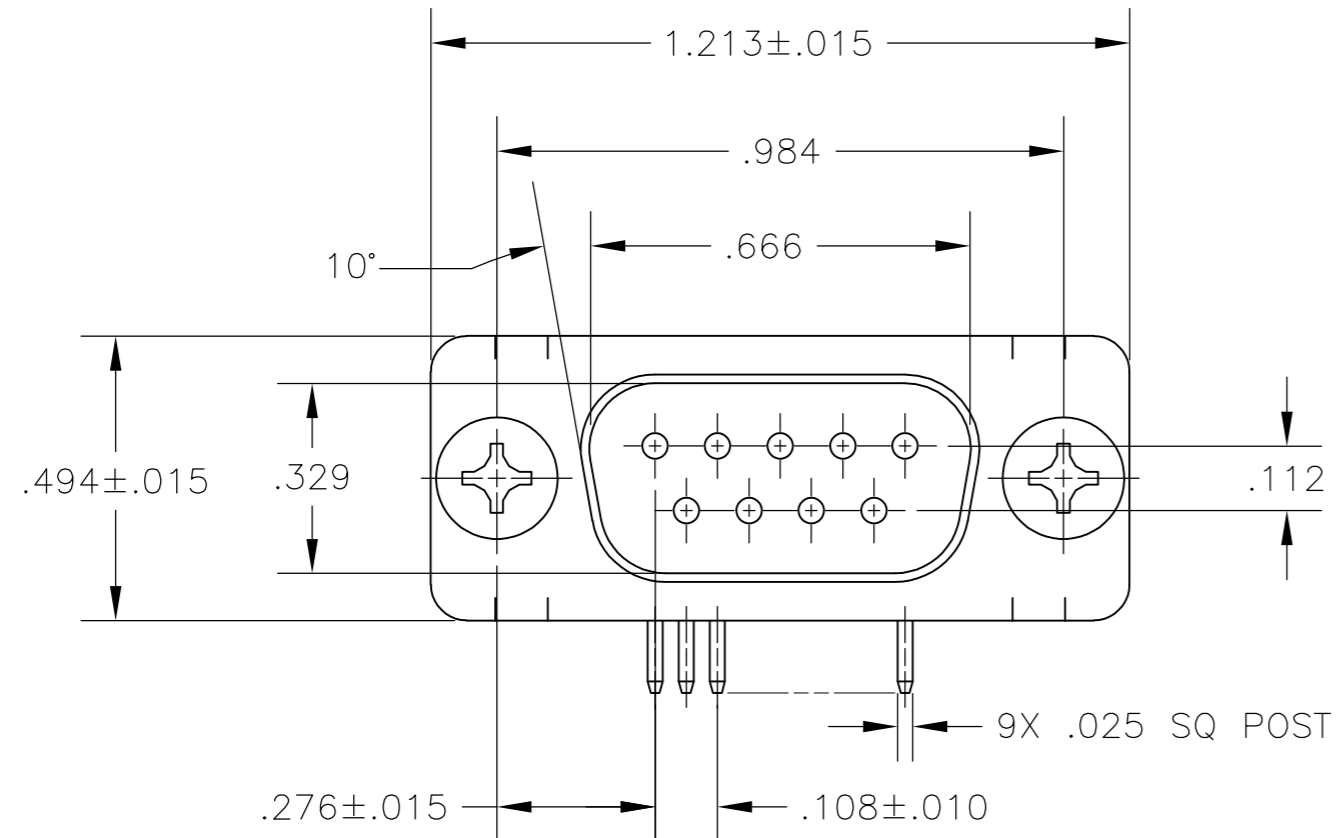


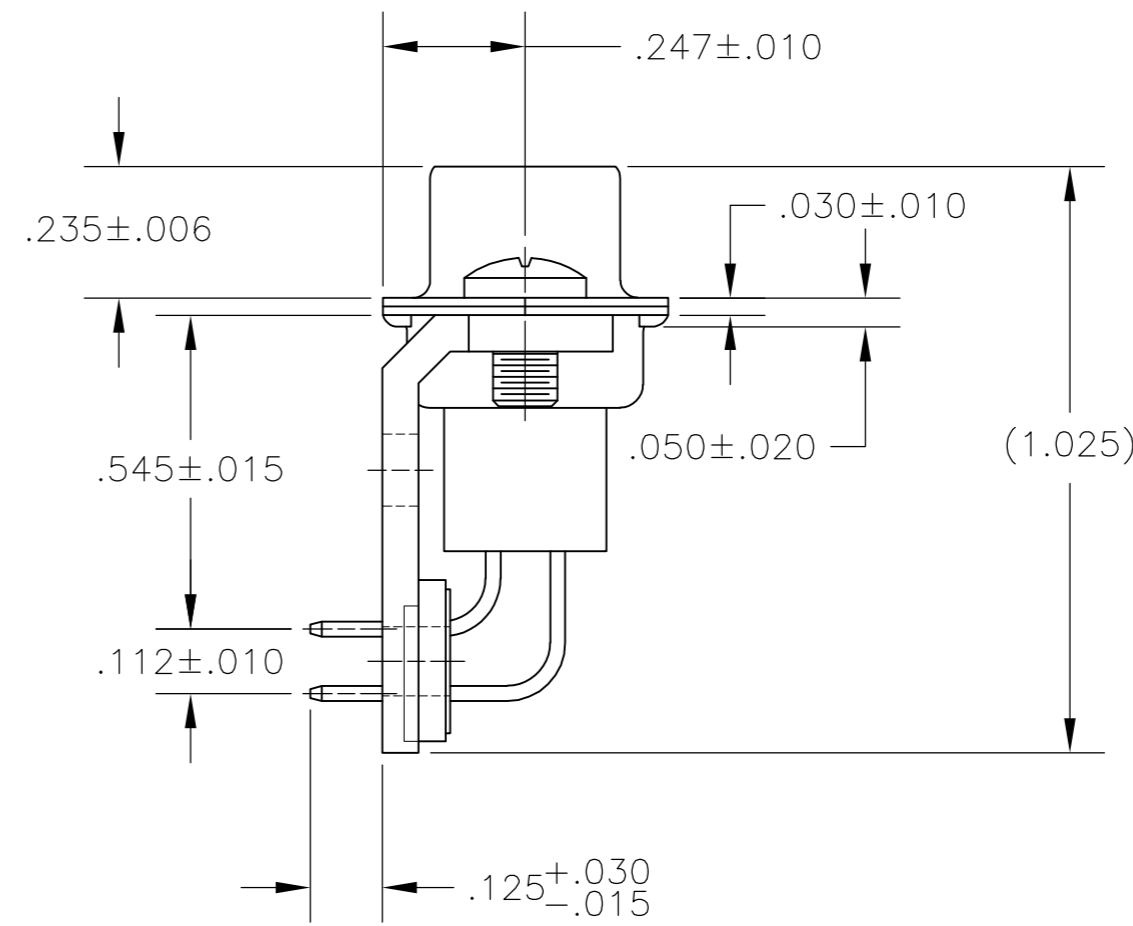
THIS DRAWING IS UNPUBLISHED. RELEASED FOR PUBLICATION
 © COPYRIGHT 2005 By - ALL RIGHTS RESERVED.

LOC	DIST	REVISIONS					
GP	00	P	LTR	DESCRIPTION	DATE	DWN	APVD
		B		REVISED PER ECO-14-011808	11AUG2014	AP	SB



P.C. BOARD MOUNTING DIMENSIONS

- 1 MOLDED PARTS: GLASS-FILLED PBT OR GLASS-FILLED NYLON, UL94V-0 RATED. COLOR: BLACK.
SHELLS & BRACKETS: CARBON STEEL
CONTACTS: BRASS
- 2 SHELLS & BRACKETS: ZINC PLATED YELLOW CHROMATE COATING.
CONTACTS: SEE TABLE.
- 3 GOLD PLATED FOR LENGTH OF .150 MIN FROM MATING END, GOLD FLASH IN MATED AREA, .000100 MIN TIN ON OPPOSITE END, BOTH OVER .000050 MIN NICKEL.
- 4 GOLD PLATED FOR LENGTH OF .150 MIN FROM MATING END, .000030 MIN GOLD IN MATED AREA, .000100 MIN TIN ON OPPOSITE END, BOTH OVER .000050 MIN NICKEL.



OBSOLETE	4	5205865-2
	3	5205865-1
CONTACT FINISH		PART NUMBER

THIS DRAWING IS A CONTROLLED DOCUMENT.		DWN C.LAUBACH 28DEC05	TE Connectivity	
DIMENSIONS: INCHES		CHK S.BOLASH 28DEC05	NAME M.WALMSLEY	
TOLERANCES UNLESS OTHERWISE SPECIFIED:		APVD M.WALMSLEY 28DEC05	PRODUCT SPEC 108-40025	
0 PLC ± -		APPLICATION SPEC 114-40013	SIZE A2	CAGE CODE 00779
1 PLC ± -		WEIGHT -	DRAWING NO C=5205865	RESTRICTED TO -
2 PLC ± -		MATERIAL 1	SCALE 4:1	SHEET 1 of 1
3 PLC ± ±.005		FINISH 2	REV B	
4 PLC ± -		CUSTOMER DRAWING		
ANGLES ± ±2°				