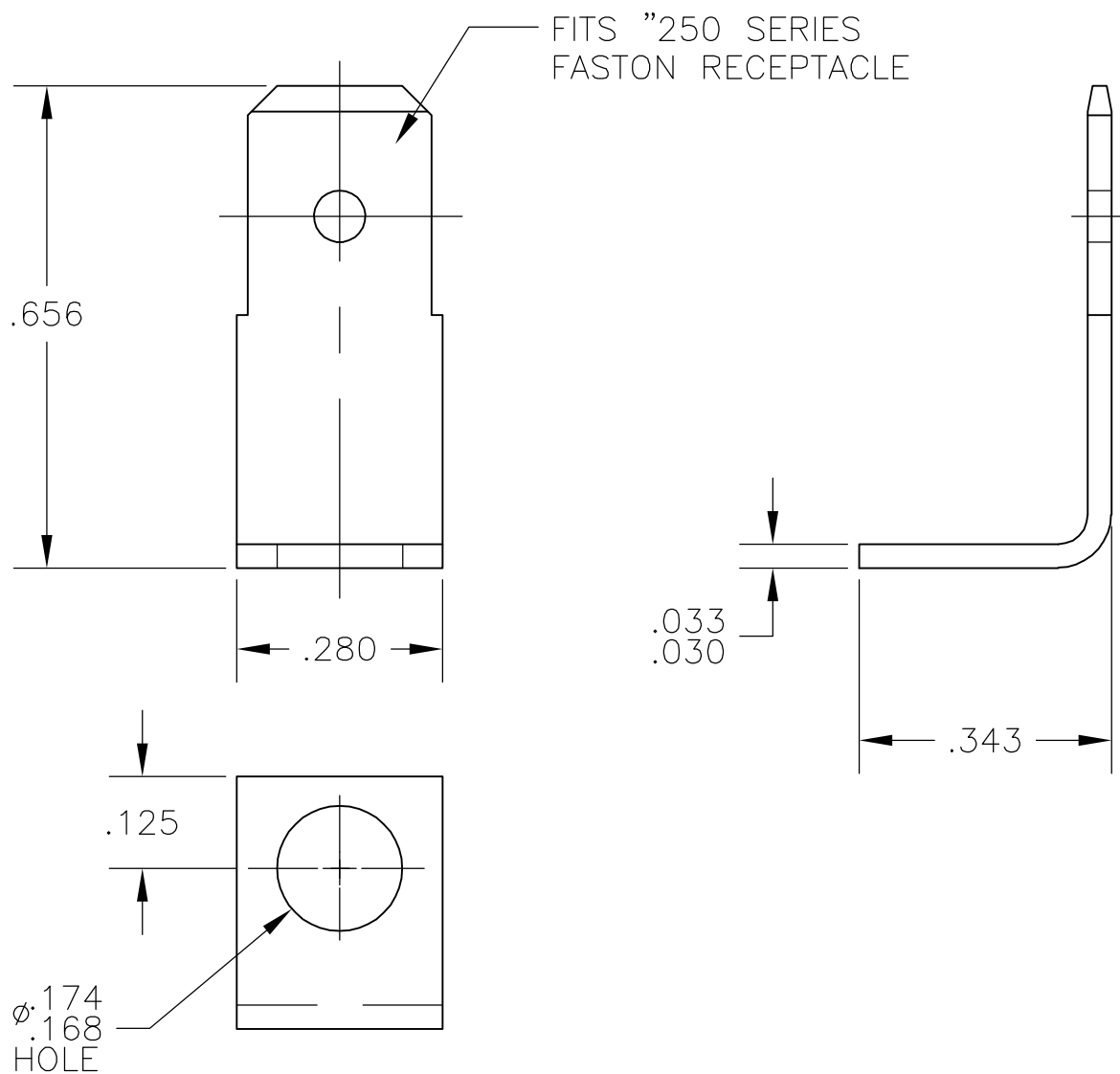


THIS DRAWING IS UNPUBLISHED. RELEASED FOR PUBLICATION
 © COPYRIGHT BY TYCO ELECTRONICS CORPORATION. ALL RIGHTS RESERVED.

LOC	DIST	REVISIONS			
P	LTR	DESCRIPTION	DATE	DWN	APVD
AF	50	H	REV PER ECR-05-017287	11APR06	HMR JR

1 SUPPLIED IN LOOSE PIECE.



OBSOLETE	FINISH	MATERIAL	PART NO
	TIN	.032 STEEL	62314-3
		.033/.030 BRASS	62314-2
OBSOLETE	NICKEL	.032 STEEL	62314-1

THIS DRAWING IS A CONTROLLED DOCUMENT.		DWN JR RUTH 10/9/91	Tyco Electronics Corporation Harrisburg, PA 17105-3608	
DIMENSIONS: INCHES		CHK MS FEHER 10/9/91		
TOLERANCES UNLESS OTHERWISE SPECIFIED:		APVD R BEAVER 10/9/91	NAME .250 SERIES FASTON TAB	
0 PLC ± - 1 PLC ± - 2 PLC ± .015 3 PLC ± - 4 PLC ± - ANGLES ± 1'		PRODUCT SPEC -	RESTRICTED TO -	
MATERIAL SEE TABLE		APPLICATION SPEC -	SIZE A3	CAGE CODE 00779
FINISH SEE TABLE		WEIGHT -	DRAWING NO C-62314	REV H
CUSTOMER DRAWING			SCALE 5:1	SHEET 1 OF 1