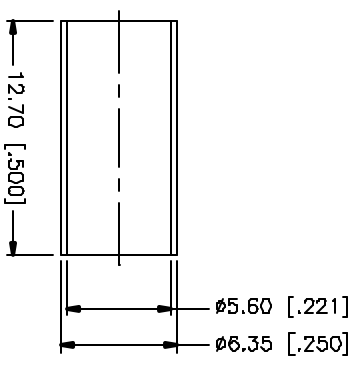
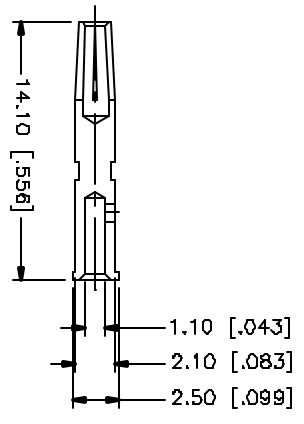
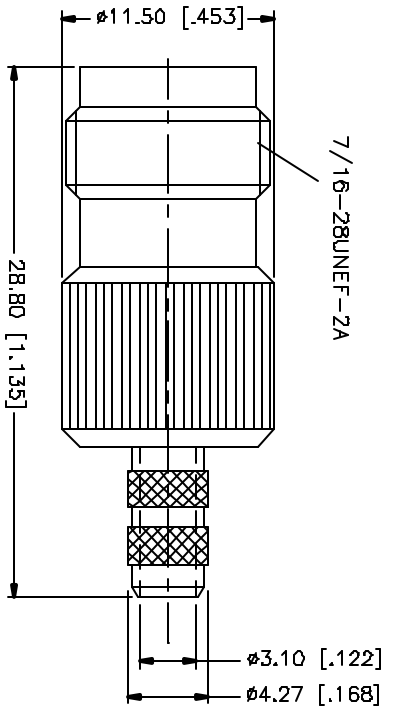
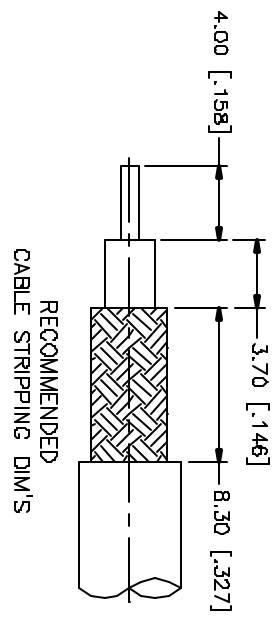


REV.	DATE	DESCRIPTION
NC	03/19/05	INITIAL RELEASE



NOTE:

1. CRIMPED FERRULE
HEX CRIMP SIZE 5.41 [.213"]
2. CRIMP CONTACT PIN
HEX CRIMP SIZE 1.72 [.068"]

REV.	DATE	DESCRIPTION
NC	03/19/05	INITIAL RELEASE

1	FERRULE	COPPER	NICKEL	1	UNLESS OTHERWISE SPECIFIED DIMENSIONS ARE IN MILLIMETERS. DIMENSIONS IN [] ARE IN INCHES AND PER QUANTITIES REFERENCED ONLY. UNLESS OTHERWISE SPECIFIED, TOLERANCES FOR MILLIMETERS ARE: 0.5 - .8mm ± 0.20mm .8 - .30mm ± 0.40mm .30 - 1.20mm ± 0.50mm UNLESS OTHERWISE SPECIFIED, TOLERANCES FOR INCHES ARE: .020 - .315 = ± 0.007" .315 - 1.180 = ± 0.015" 1.180 - 4.724 = ± 0.020" DO NOT SCALE DRAWING
2	CONTACT PIN	PHOS. BRONZE	GOLD	1	
3	INSULATOR	TEFLON	NATURAL	1	
4	BODY	BRASS	NICKEL	1	
DESCRIPTION					
MATERIAL					
FINISH					
QTY					

APPROVALS	DATE
G.R.S.	03/19/05
CHECKED	
ISSUED	
SHEET	1 OF 1

DWG. NO.	122373.DWG	REV.	NC	SIZE	A	SCALE	NA
Amphenol Connex TNC CRIMP JACK (FOR RG-55/U, 142A/U, 223/U, 400/U) 122373							
DAD FILE C:/122/122373.DWG							