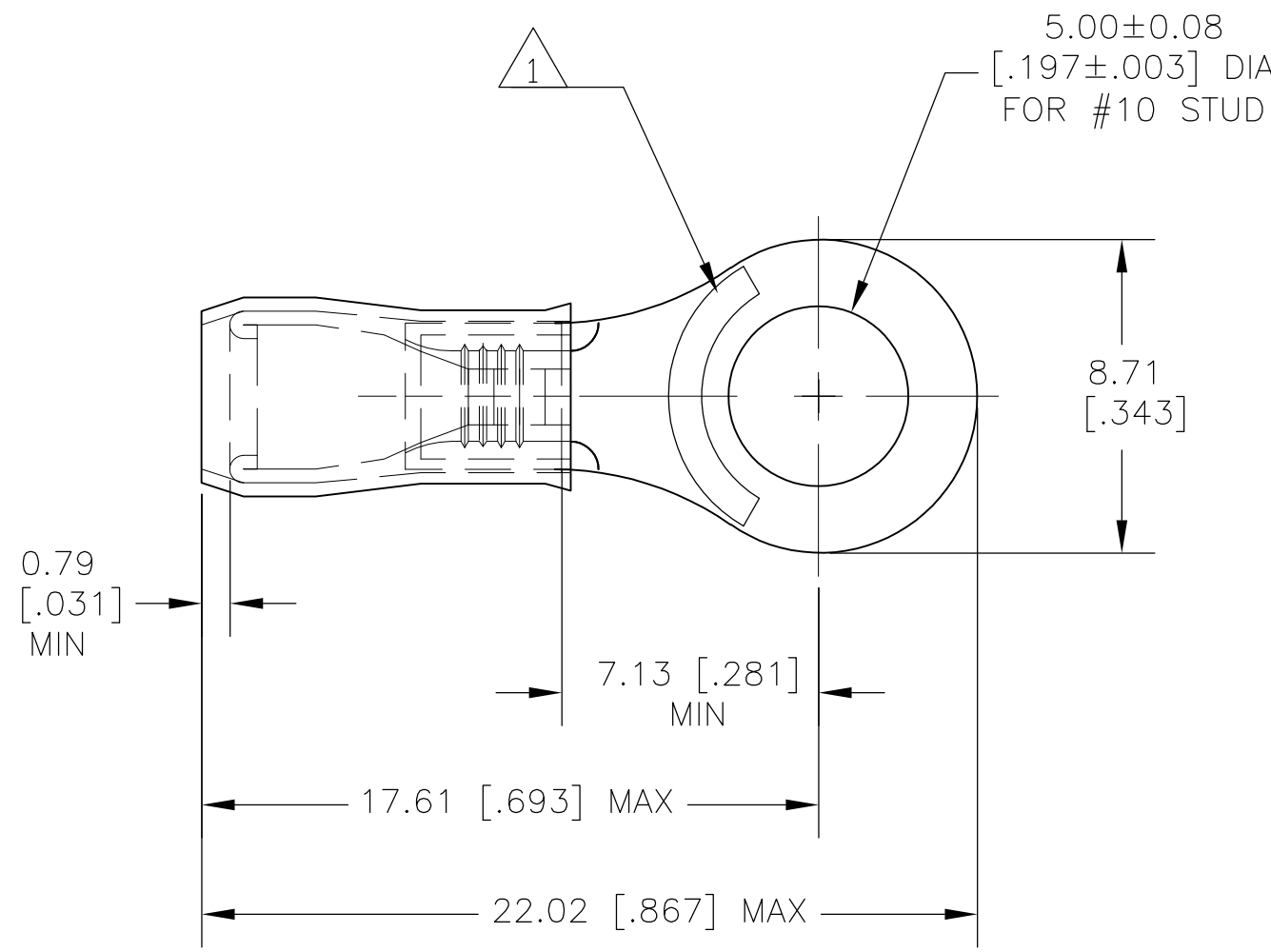


THIS DRAWING IS UNPUBLISHED. RELEASED FOR PUBLICATION  
 © COPYRIGHT BY TYCO ELECTRONICS CORPORATION. ALL RIGHTS RESERVED.

LOC	DIST	REVISIONS					
		P	LTR	DESCRIPTION	DATE	DWN	APVD
G	14		G	REV PER ECR 09-025674	30NOV09	JR	TM



- 1 STAMP AMP 14-12, LOCATION AS SHOWN.
- 2 WIRE INSULATION DIA RANGE IS 2.0-3.2 [.080-.125] DIA.
- 3 TONGUE MATERIAL THK IS 0.75±0.05 [.0295±.002]
- 4 DIMENSION APPLIES FROM CENTER OF STUD HOLE TO EDGE OF WIRE BARREL.
- 5 MATERIAL: BODY - COPPER PER ASTM B-152 SLEEVE - NYLON, COLOR WHITE
- 6 FINISH: BODY - TIN PLATE PER ASTM B-545
- 7 MAX RECOMMENDED OPERATING TEMP 105°C
- 8 VOLTAGE RATING: 300 V MAX
- 9 WIRE CROSS SECTIONAL AREA RANGE: 1.65-3.45mm<sup>2</sup> [ 3,260-6,800 ] CMA

**AMP**  
WIRE RANGE

---

14-12 AWG  
SOLID OR STRANDED

500	LOOSE PIECE	152872
QTY	PACKAGING TYPE	PART NO

THIS DRAWING IS A CONTROLLED DOCUMENT.		DWN jr_ruth 23AUG07	Tyco Electronics Corporation Harrisburg, PA 17105-3608	
DIMENSIONS: MM [ INCHES ]		CHK T MICHELUTTI 23AUG07		
TOLERANCES UNLESS OTHERWISE SPECIFIED:		APVD T MICHELUTTI 23AUG07	NAME RING TONGUE, PIDG, WIRE SIZE: 14-12 AWG	
0 PLC ± - 1 PLC ± - 2 PLC ± 0.20 [.008] 3 PLC ± - 4 PLC ± - ANGLES ± 5°		PRODUCT SPEC -	SIZE A3	
MATERIAL - 5		APPLICATION SPEC -	CAGE CODE 00779	DRAWING NO G-152872
FINISH - 6		WEIGHT -	RESTRICTED TO -	
CUSTOMER DRAWING			SCALE 5:1	SHEET 1 OF 1
			REV G	