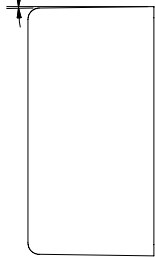
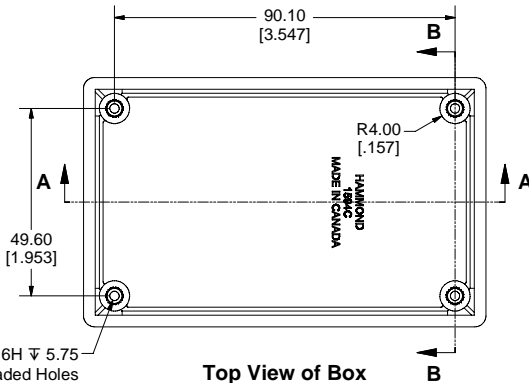


Draft Angle of
Approximately 1°

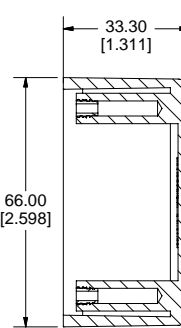


Side View of Box

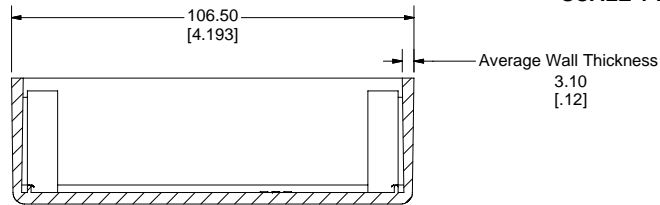
M3x0.5 - 6H ∇ 5.75
Threaded Holes



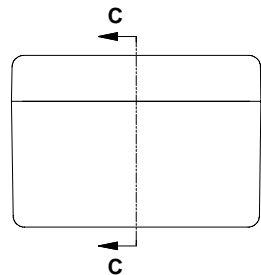
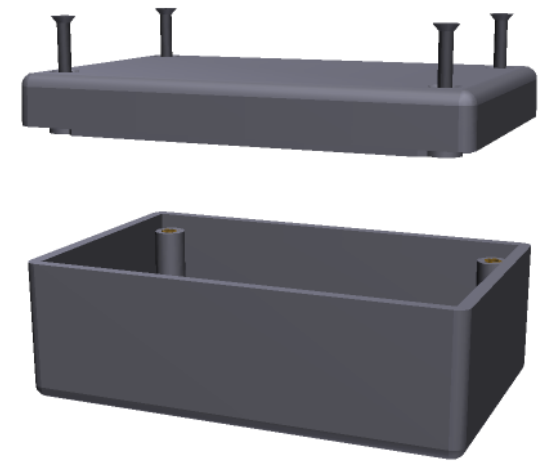
Top View of Box



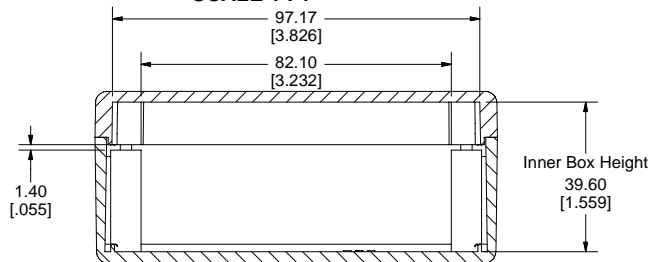
SECTION B-B
SCALE 1 : 1



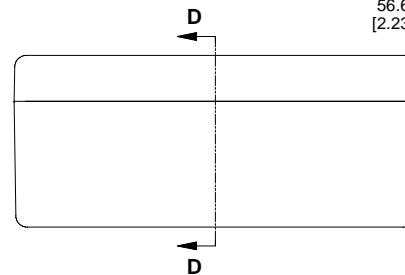
SECTION A-A
SCALE 1 : 1



End View of Assembly

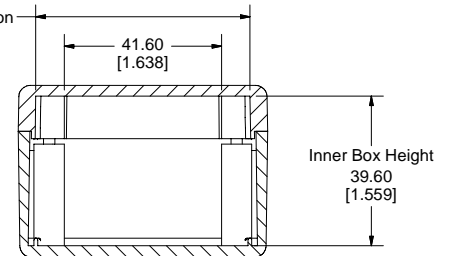


SECTION C-C
SCALE 1 : 1

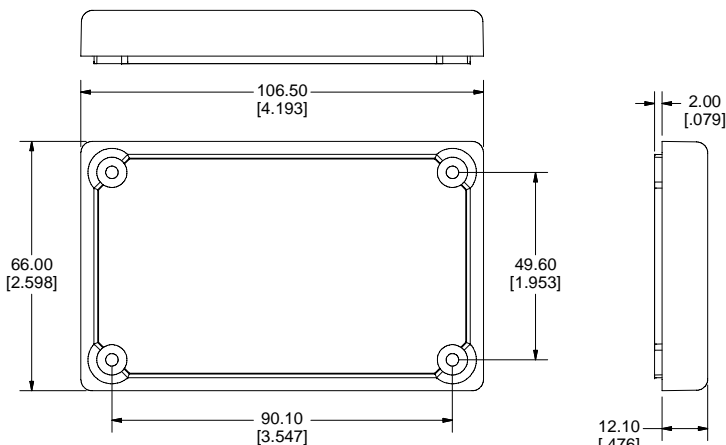


Side View of Assembly

Narrowest Inside Dimension
56.67
[2.231]



SECTION D-D
SCALE 1 : 1



Bottom of Lid

Side of Lid

1594C Enclosure	
FLAME RETARDANT ABS	
Black - RAL 9011	1594CBK
Grey - RAL 7018	1594CGY
NON-FLAME RETARDANT ABS	
Grey - RAL 7035	1594CSGY
Black - RAL 9011	1594CSBK
LIQUID RESISTANT	
Black - RAL 9011	1594CWBK
ACCESSORIES	
Cover Screws Non-Flame Retardant (pkg. 100) [#4 x 1" Self-Tapping]	1594TS100
Cover Screws Flame Retardant (pkg. 100) [M3 - 0.5 x 20mm]	1594MS100
Cover Screws Liquid Resistant (pkg. 100) [M3 - 0.5 x 20mm]	1594WMS100
Circuit Board Holders	(See 1594Z Series)

Enclosures can be Factory Modified (Milling, Drilling, Printing etc.)
Solid models of this enclosure available in STEP or IGES.
Contact Factory mjm@hammondmfg.com

