

THIS DRAWING IS UNPUBLISHED. RELEASED FOR PUBLICATION. ALL RIGHTS RESERVED.

REVISIONS				
P	LTR	DESCRIPTION	DATE	APVD
B2		REVISED PER ECR-16-001910	22SEP206	SC BW

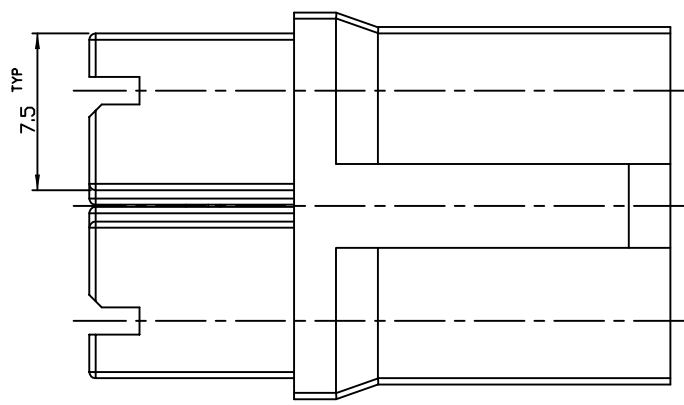
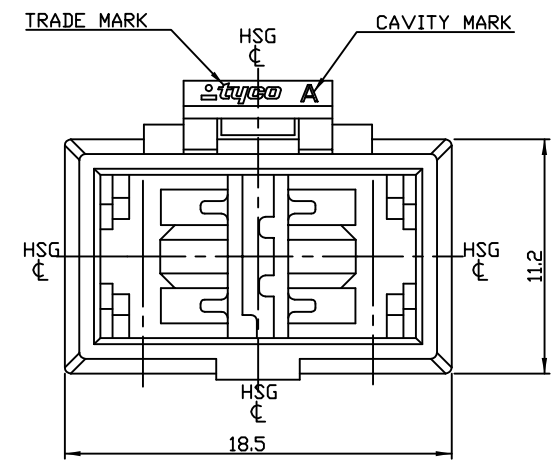
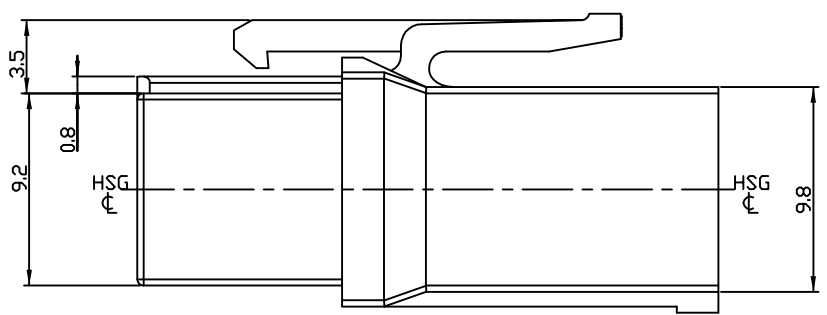
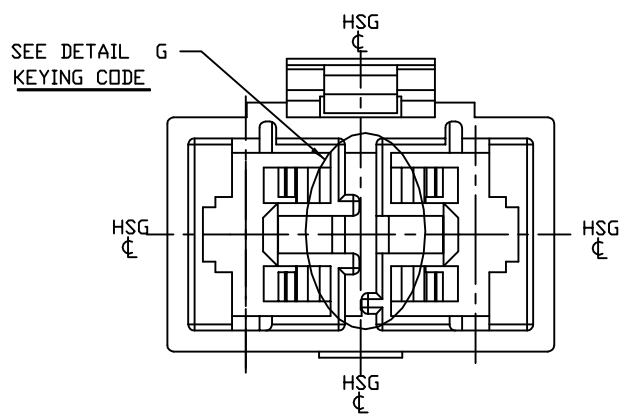
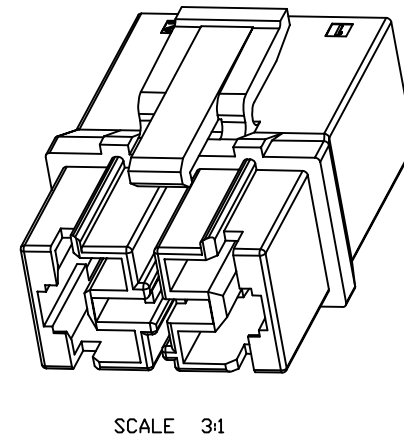
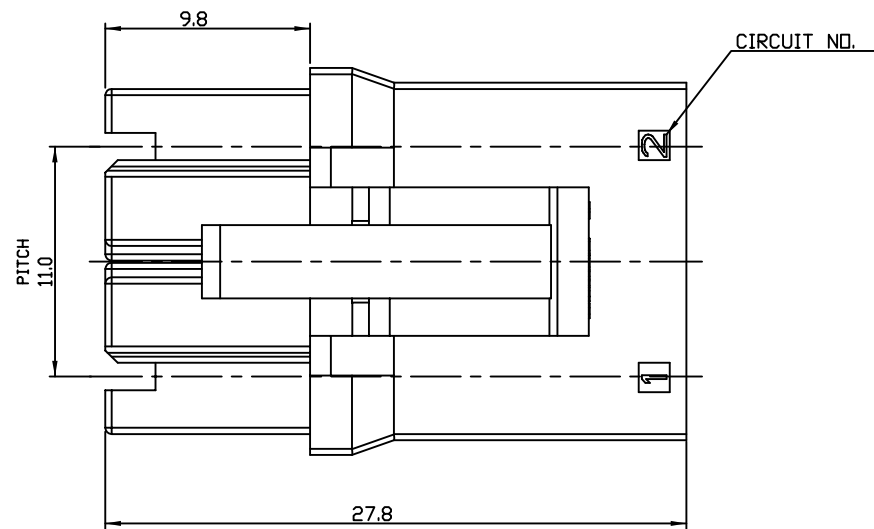
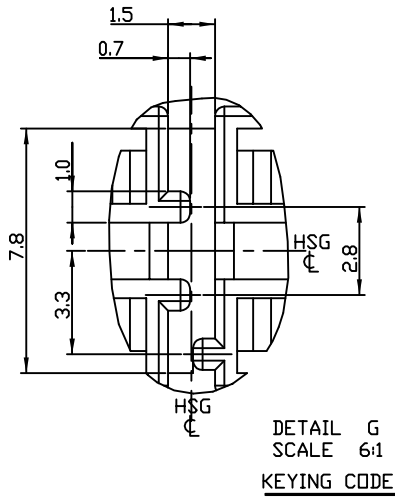


TABLE 1 (SEE DETAIL G)

TYPE	A	B	C	D
KEYING LOCATION				

NOTES  
 1. GENERAL TOLERANCES : ±0.2  
 2. MATERIAL : 6/6 NYLON, UL94V-0  
 3. MATERIAL : PC/PET, UL94V-0  
 PARTS COMPLY WITH GWT 750  
 4. MATING HDR ASS'Y P/N : 1743330-□  
 5. APPLICABLE CONTACT P/N : 1743457-1  
 KEYING LOCATION : TABLE 1, DETAIL G

1-1743419-6	D	3	BLUE
1-1743419-4	C		YELLOW
1-1743419-2	B		RED
1-1743419-1	A		NATURAL
<del>OBSOLETE</del> 1-1743419-6	D	2	BLUE
<del>OBSOLETE</del> 1-1743419-4	C		YELLOW
1743419-2	B		RED
1743419-1	A		NATURAL
P/N	TYPE	MATERIAL	COLOR

THIS DRAWING IS A CONTROLLED DOCUMENT.

DIMENSIONS: mm	TOLERANCES UNLESS OTHERWISE SPECIFIED.	DWN SC KIM	TE Connectivity
0 PLC ±	1 PLC ±	CHK BW KANG	NAME
2 PLC ±	3 PLC ±	APVD JK SONG	PRODUCT SPEC
4 PLC ±	ANGLES ±	108-61068	250 2 POS P-LOCK REC HSG (11mm PITCH)
MATERIAL SEE NOTE	FINISH	APPLICATION SPEC	SIZE A2 CAGE CODE 00779 DRAWING NO 1743419 RESTRICTED TO
		WEIGHT	SCALE N/S SHEET 1 of 1 REV B2
		CUSTOMER DRAWING	