

THIS DRAWING IS UNPUBLISHED. RELEASED FOR PUBLICATION MARCH , 2006.

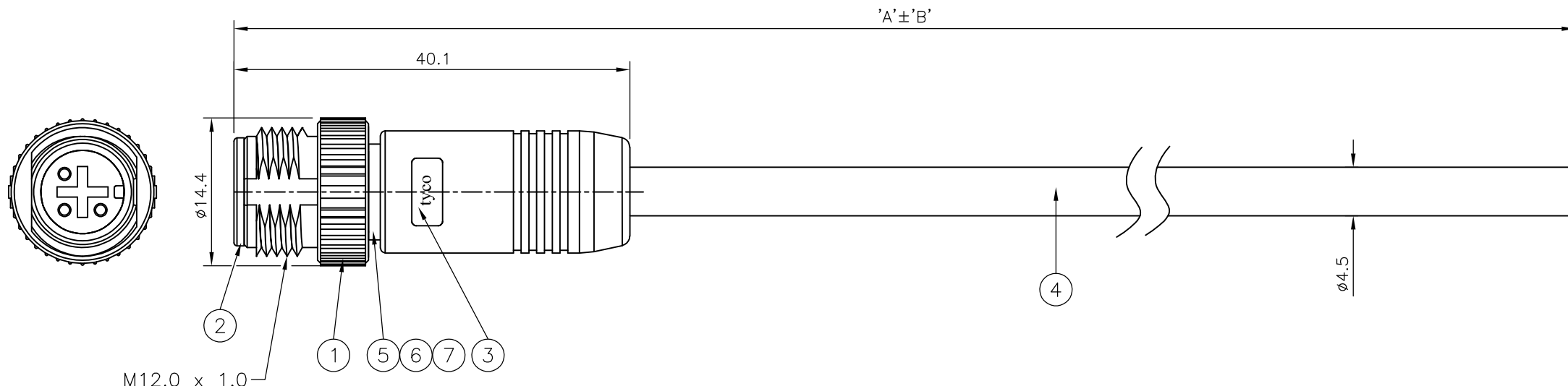
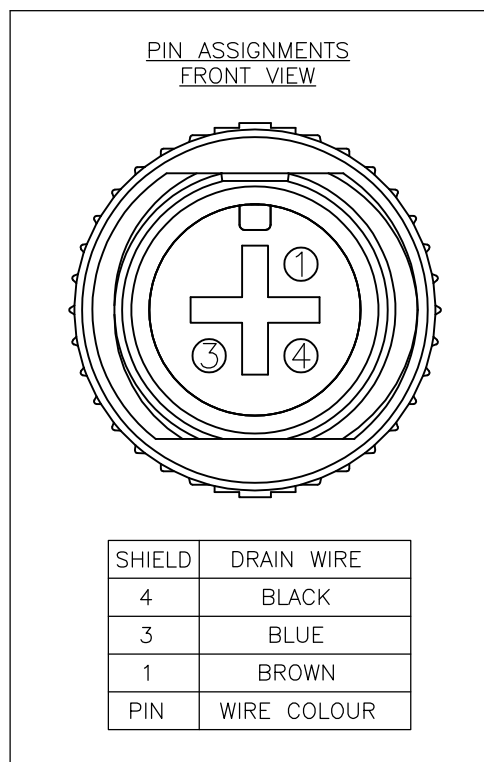
© COPYRIGHT 2006 BY TYCO ELECTRONICS CORPORATION. ALL RIGHTS RESERVED.

LOC	DIST	REVISIONS			
P	LTR	DESCRIPTION	DATE	DWN	APVD
E	B	B	ECR-07-012186	21/05/07	AM FWK

NOTES:

- ELECTRICAL DATA: CONTACT RESISTANCE: 10 mOhm MAX
INSULATION RESISTANCE: 100 MOhm MIN at 500VDC
CURRENT RATING: 5 AMPS
BREAKDOWN VOLTAGE: 500 VAC MIN PER MINUTE
- ENVIRONMENTAL: OPERATING TEMPERATURE: -25°C TO +90°C
SEALING REQUIREMENTS: IP67
- PROD SPEC: 108-3641
- PACKAGING: 107-3334
- FOR TECHNICAL DATA REFER TO YOUR LOCAL TYCO ELECTRONICS SALES OFFICE
- ALL DIMENSIONS ARE NOMINAL FOR REFERENCE ONLY UNLESS OTHERWISE STATED

ITEM	DESCRIPTION	MATERIAL	FINISH/COLOUR	QTY
1	SCREW NUT	ZINC DIE CAST	2.5µm NICKEL PLATED	1
2	CONNECTOR BODY	GF NYLON	BLACK	1
3	PIN CONTACT	BRASS	0.15µm GOLD OVER NICKEL	3
4	3 CORE CABLE (CORES 0.34mm²)	PU JACKET HAL FREE	BLACK	1
5	SHIELD	BRASS	-	1
6	SHIELDING FOIL	COPPER	-	1
7	ADHESIVE	-	-	1



10000	500 mm	M12 STRAIGHT MALE CONNECTOR 10.0m CABLE	1838366-5
7000	350 mm	M12 STRAIGHT MALE CONNECTOR 7.0m CABLE	1838366-4
5000	250 mm	M12 STRAIGHT MALE CONNECTOR 5.0m CABLE	1838366-3
3000	150 mm	M12 STRAIGHT MALE CONNECTOR 3.0m CABLE	1838366-2
2000	100 mm	M12 STRAIGHT MALE CONNECTOR 2.0m CABLE	1838366-1
DIM A	TOL 'B'	DESCRIPTION	PART NUMBER

THIS DRAWING IS A CONTROLLED DOCUMENT.		DWN MANJUNATH.T.N 03APR06	tyco Tyco Electronics Corporation	
DIMENSIONS: mm		CHK F.WHEELER-KING 07AUG06	Electronics Bideford, UK, EX39 4HE	
TOLERANCES UNLESS OTHERWISE SPECIFIED:		APVD F.WHEELER-KING 07AUG06	NAME M12 SHIELDED, STRAIGHT MALE CONNECTOR WITHOUT STRAIN RELIEF 3 POSITION, PU CABLE	
0 PLC ± -		PRODUCT SPEC	SIZE	
1 PLC ± -		APPLICATION SPEC	CAGE CODE	DRAWING NO
2 PLC ± -		WEIGHT	A3 00779	C-1838366
3 PLC ± -		CUSTOMER DRAWING	RESTRICTED TO	
4 PLC ± -			SCALE	SHEET 1 OF 1
ANGLES ± -			NTS	REV B
FINISH				