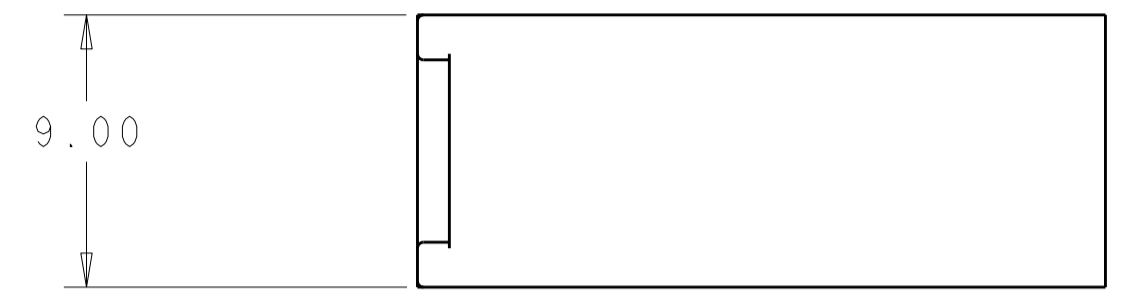
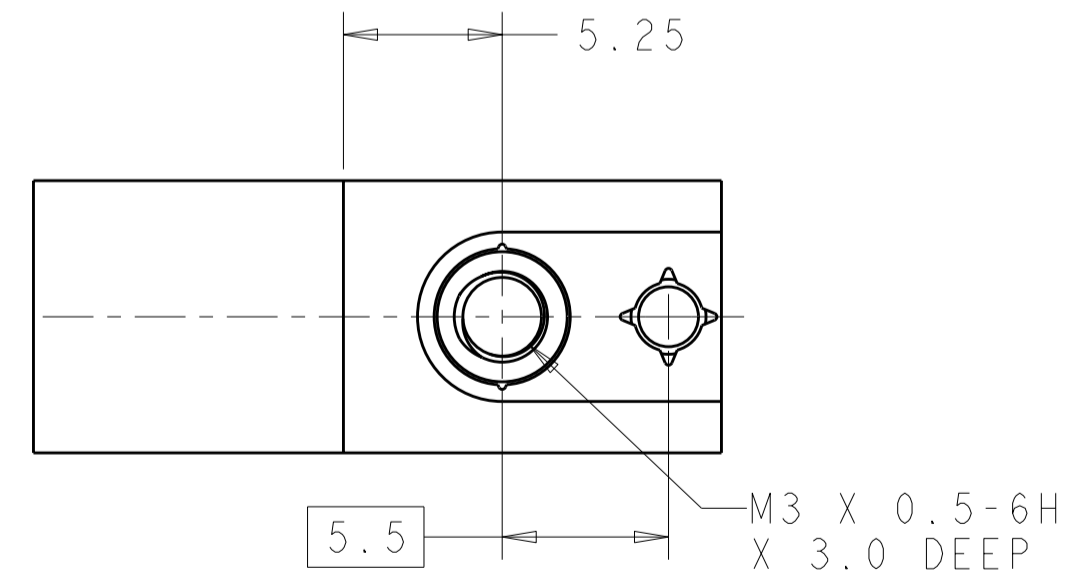
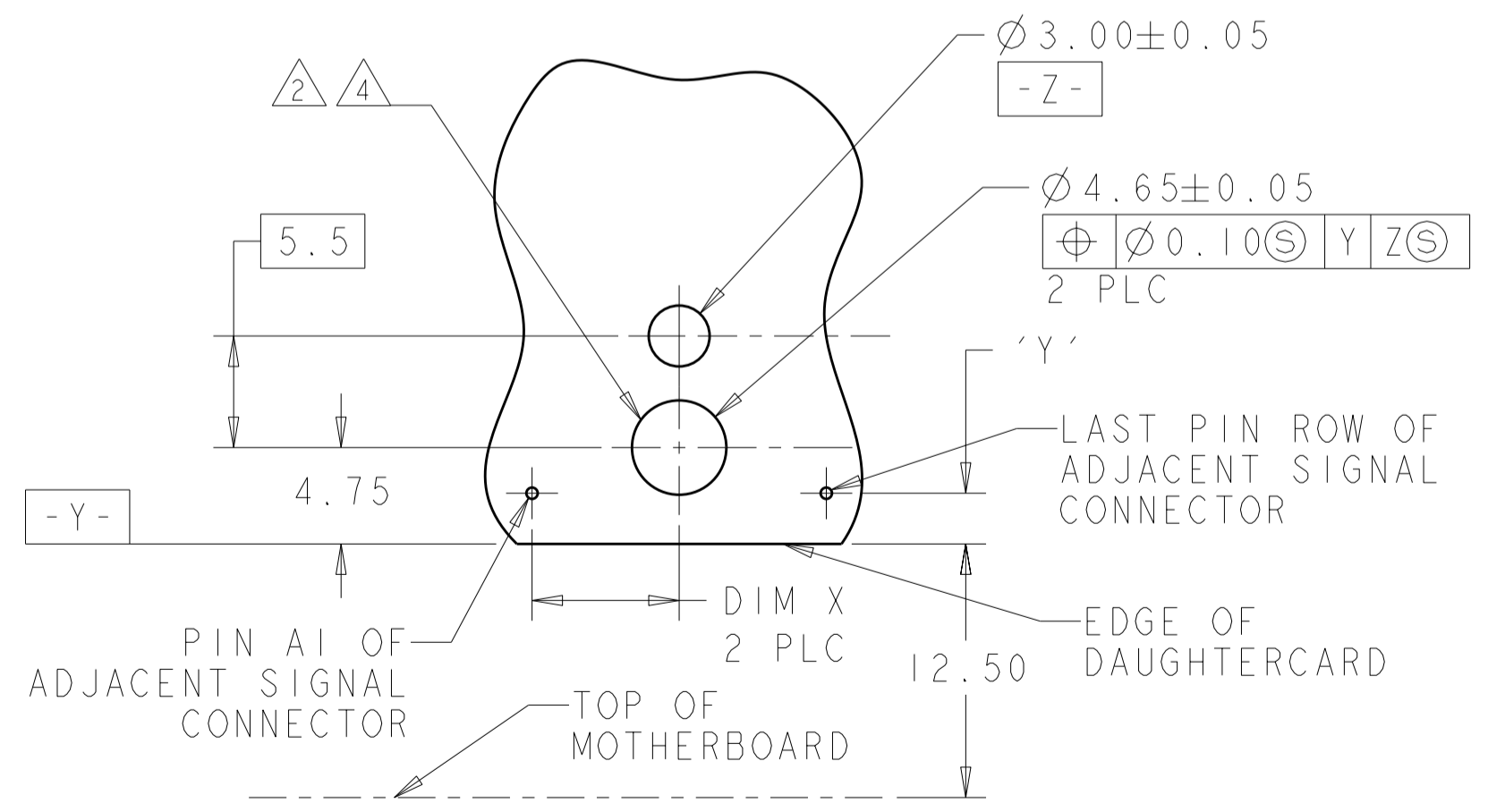
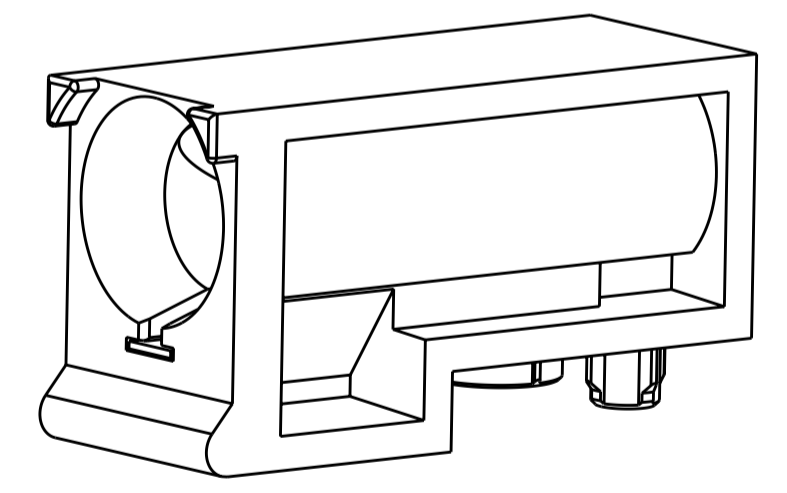
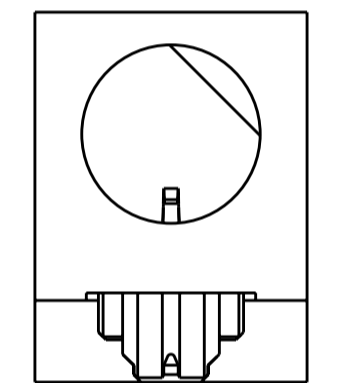
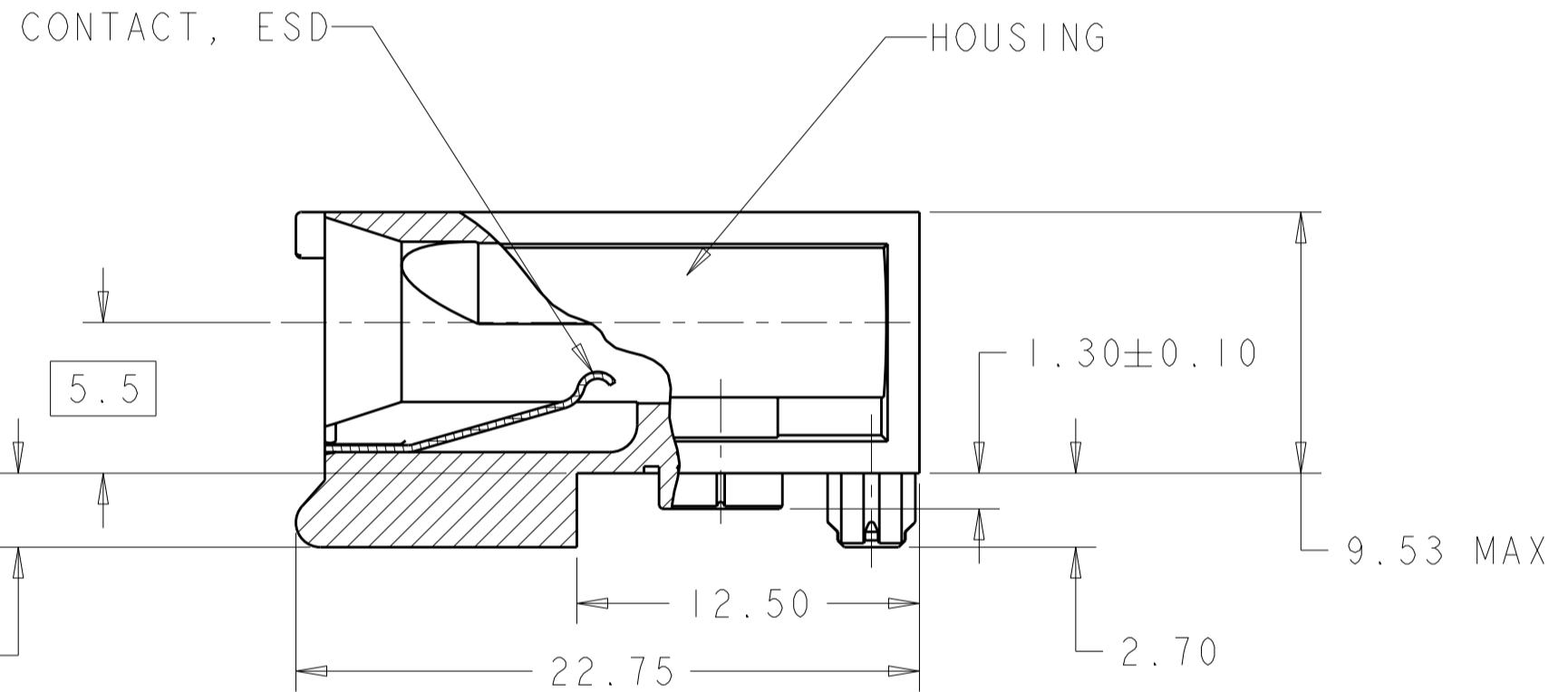
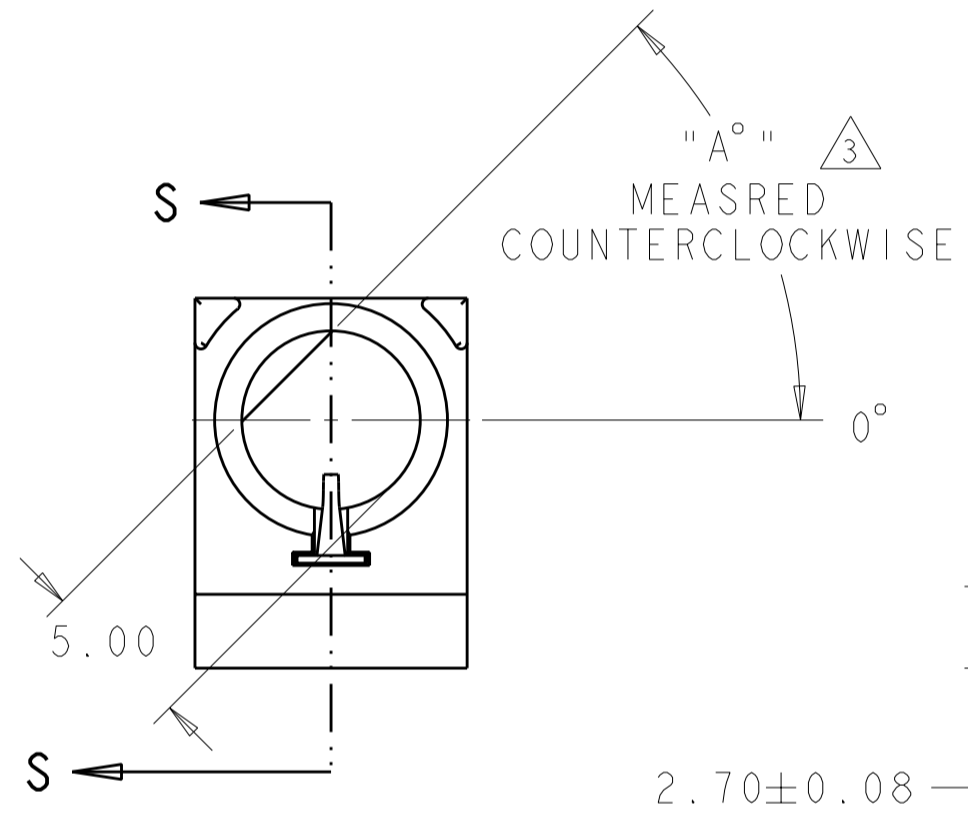


LOC	DIST	REVISIONS			
P	LTR	DESCRIPTION	DATE	DWN	APVD
AD	00	A	RELEASED PER RTS 359806.1	04AUG2010	WS RP

PART NO.	"A" °	HOUSING	CONTACT
1410338-1	0°	△5	△6
1410338-2	45°	△5	△6
1410338-3	90°	△5	△6
1410338-4	270°	△5	△6
1410338-5	315°	△5	△6
1410338-6	△7	△5	△6



- 1 MATERIAL: HOUSING: ZINC ALLOY DIE CASTING, ZAMAK 3; CONTACT: PHOSPHOR BRONZE
- 2 HOLE FOR POSITIVE RETENTION SCREW.
- 3 DASH NUMBERS INDICATE KEY ORIENTATION (P/N 1410338-2 SHOWN ON DRAWING)
- 4 GROUND PAD Ø5mm ON BOTH SIDE OF PCB.
- 5 FINISH: 3.0µm MIN NICKEL OVER COPPER
- 6 CONTACT FINISH: 1.27µm MINIMUM NICKEL ALL OVER
- 7 GUIDE MODULE W/O KEYING
GUIDE PIN 1410337 SERIES MUST BE ORIENTED TO PROVIDE PROPER ESD PERFORMANCE



7.25	1410338
DIM X ADJACENT TO TIER 1 OR TIER 2 ASSEMBLY	PART NO

'Y'	PRODUCT
2.5	TIER 1
2.25	TIER 2
1.50	TIER 2 (7-ROW)

THIS DRAWING IS A CONTROLLED DOCUMENT FOR TYCO ELECTRONICS CORPORATION. IT IS SUBJECT TO CHANGE AND THE CONTROLLING ENGINEERING ORGANIZATION SHOULD BE CONTACTED FOR THE LATEST REVISION.

DIMENSIONS:	TOLERANCES UNLESS OTHERWISE SPECIFIED:	DWN	04AUG2010	Tyco Electronics Harrisburg, PA 17105-3608
mm	0 PLC ±0.5 1 PLC ±0.13 2 PLC ±0.1 3 PLC ±0.01 4 PLC ±0.0001 ANGLES ±	CHK	04AUG2010	
MATERIAL	FINISH	APVD	-	NAME
△1	△5 △6	PRODUCT SPEC	108-2072	MULTIGIG GUIDE MODULE/STANDOFF, RIGHT ANGLE, 20.3mm, DAUGHTERCARD
		APPLICATION SPEC	114-13056	SIZE
		WEIGHT	-	A2
		CUSTOMER DRAWING		CAGE CODE
				00779
				DRAWING NO
				1410338
				RESTRICTED TO
				-
				SCALE
				4:1
				SHEET
				OF
				REV
				A