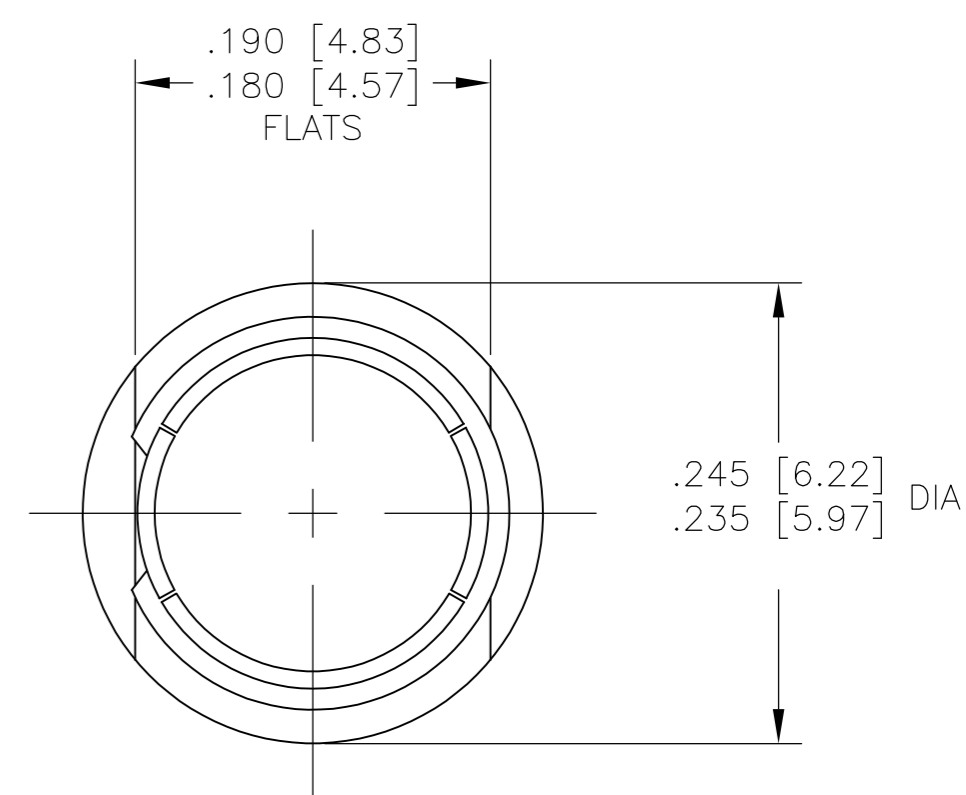
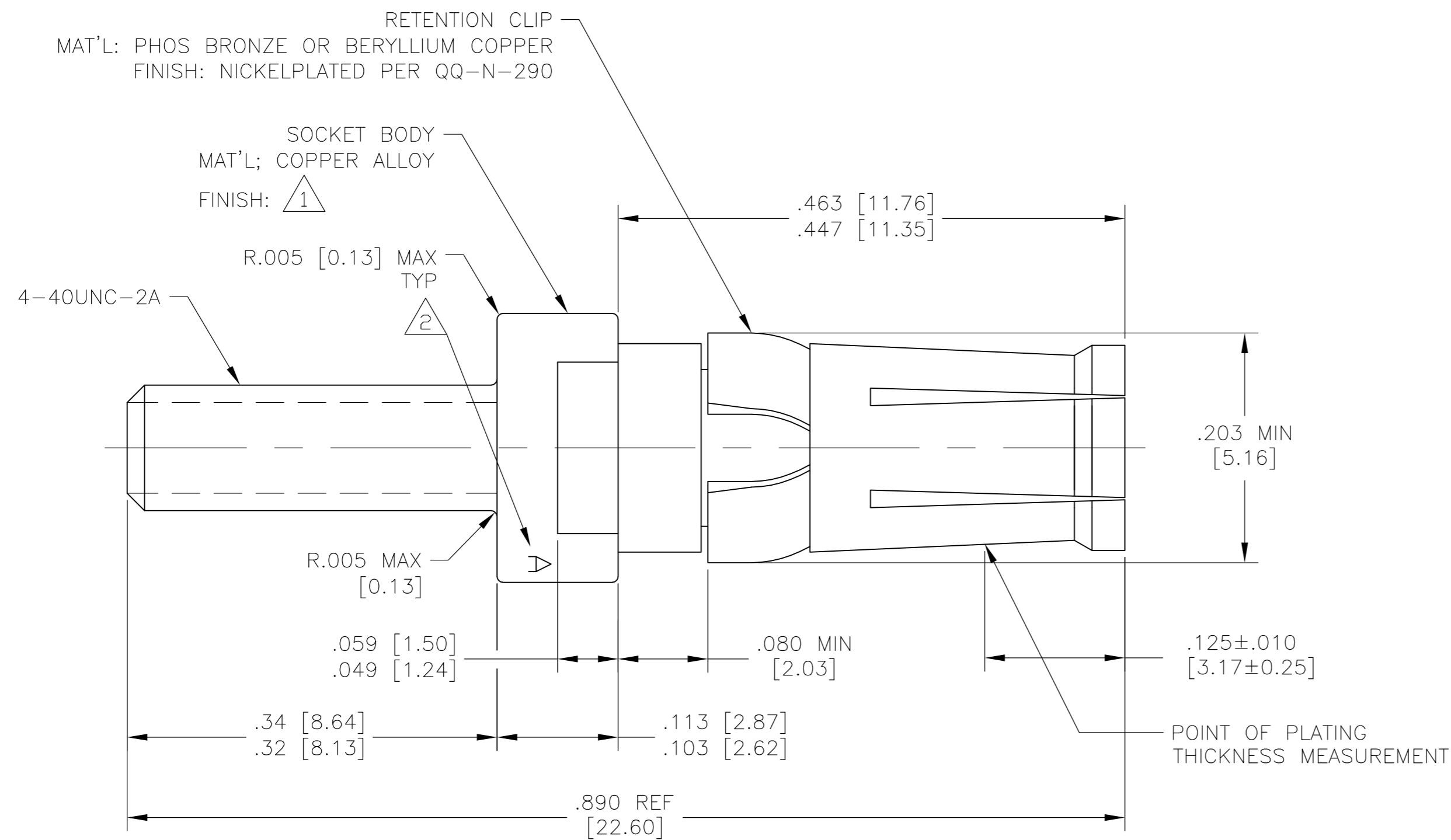


THIS DRAWING IS UNPUBLISHED. RELEASED FOR PUBLICATION - N/A .
 © COPYRIGHT N/A BY TYCO ELECTRONICS CORPORATION. ALL RIGHTS RESERVED.

| LOC | DIST | REVISIONS | | | | | |
|-----|------|-----------|-----|-----------------------|---------|-----|------|
| DF | DO | P | LTR | DESCRIPTION | DATE | DWN | APVD |
| | | A | | REV PER ECO-08-007206 | 08APR08 | TK | CT |

- ① FINISH: PLATED GOLD .000050 [0.00127] MIN THK PER ASTM-B488 OVER NICKEL .000050 [0.00127] MIN THK PER QQ-N-290.
- ② .015 TO .030 HIGH GOTHIC "A" STAMPED .001-002 DEEP. RADIAL LOCATION OPTIONAL.



1757682-1
 PART NO.

| | | | | |
|---|--|----------------------------------|---|-----------------------|
| THIS DRAWING IS A CONTROLLED DOCUMENT. | | DWN A.H.ANDERSON 05-APR-05 | Tyco Electronics Corporation Harrisburg, PA 17105-3608 | |
| DIMENSIONS: INCHES | | CHK D.MILLER 05-APR-05 | NAME ASSEMBLY, SOCKET CONTACT POWER VIII, THREADED | |
| TOLERANCES UNLESS OTHERWISE SPECIFIED: | | APVD D.MILLER 05-APR-05 | SIZE A2 | CAGE CODE 00779 |
| 0 PLC ± - 1 PLC ± - 2 PLC ± - 3 PLC ± .005 [0.13] 4 PLC ± - ANGLES ± - | | PRODUCT SPEC APPLICATION SPEC | DRAWING NO 1757682 | RESTRICTED TO - |
| MATERIAL SEE CALLOUTS | | FINISH SEE CALLOUTS | WEIGHT - | SCALE 10:1 |
| | | CUSTOMER DRAWING | | SHEET 1 of 1 REV A |