

4

3

2

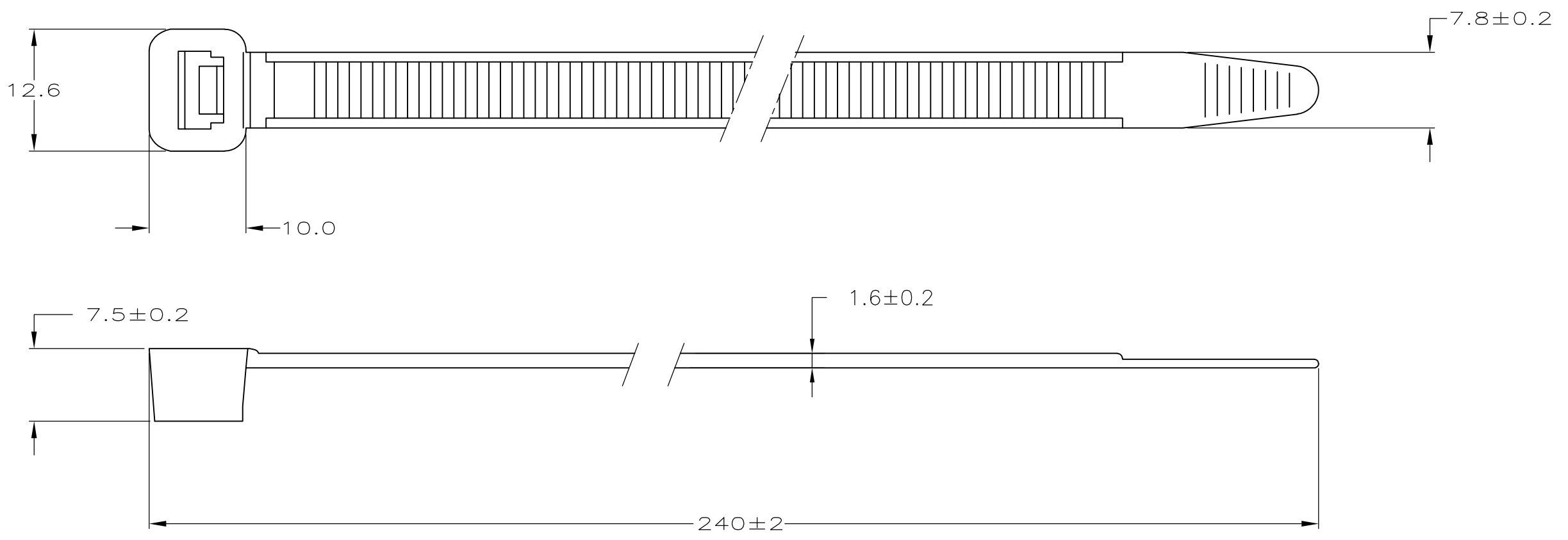
1

THIS DRAWING IS UNPUBLISHED. RELEASED FOR PUBLICATION  
 © COPYRIGHT - By - ALL RIGHTS RESERVED.

LOC	DIST	REVISIONS				
P	LTR	DESCRIPTION	DATE	DWN	APVD	
H	-	C	VENDOR CHANGE; DIMENSION CHANGE ROLL BACK	30DEC2012	SP	RP

NOTES:

- 1 RANGE:  $\phi 63$  MAX.
- 2 MIN. TENSILE STRENGTH 550N.
- $\triangle 3$  OBSOLETE



100	BLACK	POLYAMIDE 6.6	2-160981-2
100	NATURAL	POLYAMIDE 6.6	$\triangle 3$ 2-160981-1
QTY	FINISH	MATERIAL	PART NUMBER

THIS DRAWING IS A CONTROLLED DOCUMENT.		DWN	J.V.D.HEIJDEN.	27-02-92	<b>STE</b> TE Connectivity						
DIMENSIONS: mm		CHK	R.VOS.	-				NAME			
TOLERANCES UNLESS OTHERWISE SPECIFIED:		APVD	L.V.SOEST.	-	CABLE TY.						
<ul style="list-style-type: none"> <li>0 PLC ± -</li> <li>1 PLC ± 0.4</li> <li>2 PLC ± -</li> <li>3 PLC ± -</li> <li>4 PLC ± -</li> <li>ANGLES ± -</li> </ul>		PRODUCT SPEC	-			SIZE	CAGE CODE	DRAWING NO	RESTRICTED TO		
MATERIAL SEE TABLE		FINISH	SEE TABLE			A300779		C-160981	-		
CUSTOMER DRAWING		WEIGHT	-			SCALE	NTS	SHEET	1 OF 1	REV	C