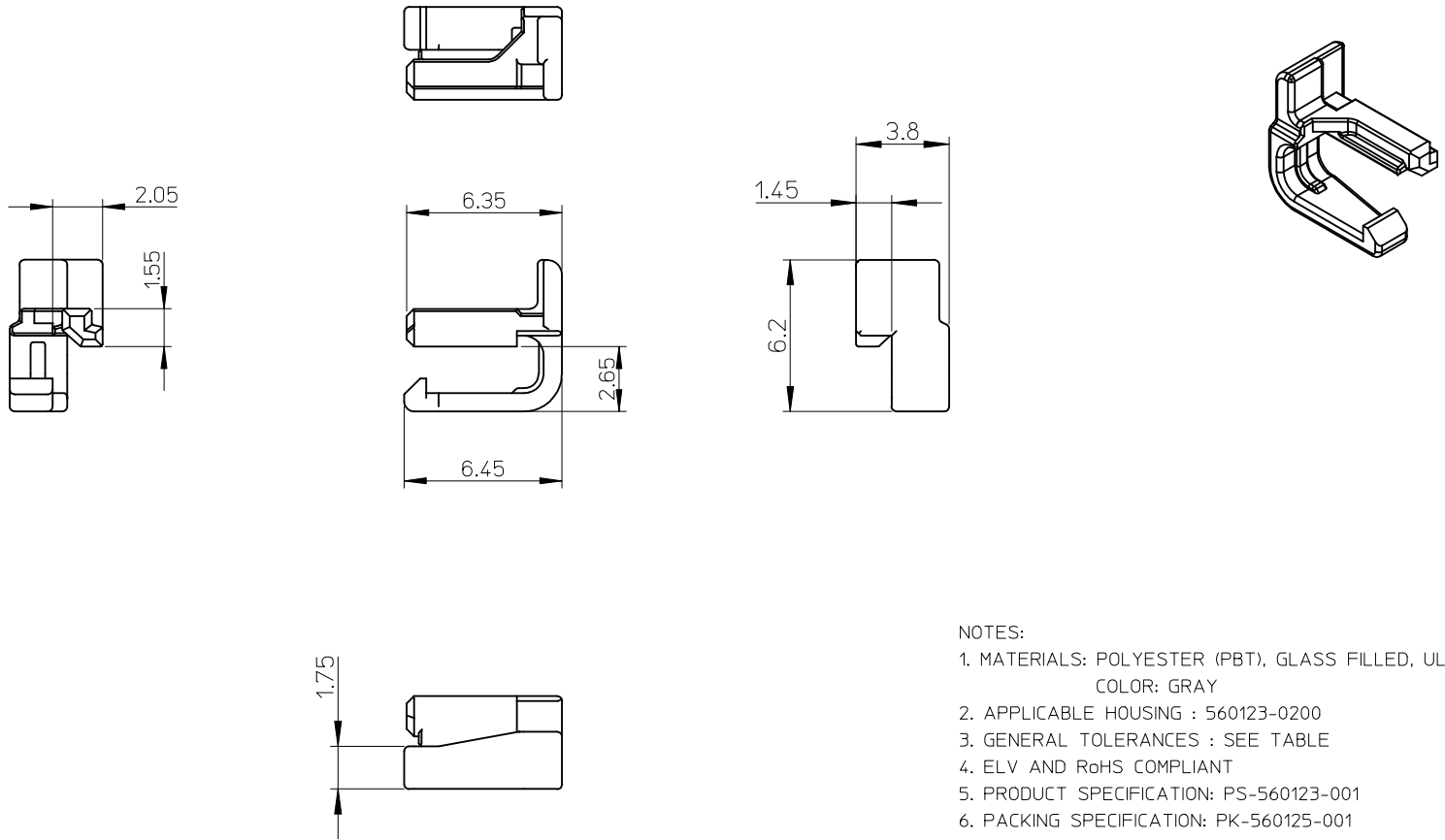


GENERAL TOLERANCE									USED ON
10 MAX	30 MAX	50 MAX	70 MAX	100 MAX	120 MAX	250 MAX	250 OVR	ANGLE	ECCENT
±0.15	±0.20	±0.30	±0.40	±0.50	±0.75	±0.90	±1.4	±0.5°	0.1



- NOTES:
1. MATERIALS: POLYESTER (PBT), GLASS FILLED, UL94V-0, COLOR: GRAY
  2. APPLICABLE HOUSING : 560123-0200
  3. GENERAL TOLERANCES : SEE TABLE
  4. ELV AND RoHS COMPLIANT
  5. PRODUCT SPECIFICATION: PS-560123-001
  6. PACKING SPECIFICATION: PK-560125-001

ORDER NO	MATERIAL NO
560125-0200	5601250200

<b>NEW RELEASE</b> EC NO: KTR2014-0051 DRWN: YIBA EK 2014/07/03 CHKD: APPR: SRTAK 2014/08/26	QUALITY SYMBOLS	GENERAL TOLERANCES (UNLESS SPECIFIED) 4 PLACES ± --- ± --- 3 PLACES ± --- ± --- 2 PLACES ± --- ± --- 1 PLACE ± --- ± --- ANGULAR ± ---°	DIMENSION STYLE	SCALE	DESIGN UNITS	THIRD ANGLE PROJECTION	
	▼=0 □=0		MM ONLY	5:1	METRIC		
	DRAWN BY: YIBA EK CHECKED BY: APPROVED BY: SRTAK MATERIAL NO.		DATE: 2014/07/03	TITLE	NEW 2.0 PITCH W/B CONN REC.2WAY ISL DURACLIC™ ISL SERIES		
	SIZE: A3 THIS DRAWING CONTAINS INFORMATION THAT IS PROPRIETARY TO MOLEX INCORPORATED AND SHOULD NOT BE USED WITHOUT WRITTEN PERMISSION		DATE: 2014/08/26	MOLEX INCORPORATED DOCUMENT NO. SD-560125-001 SHEET NO. 1 OF 1			

DRAFT WHERE APPLICABLE MUST REMAIN WITHIN DIMENSIONS