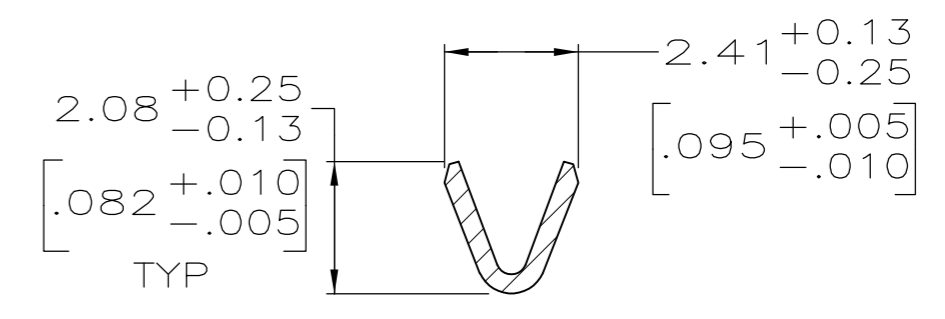
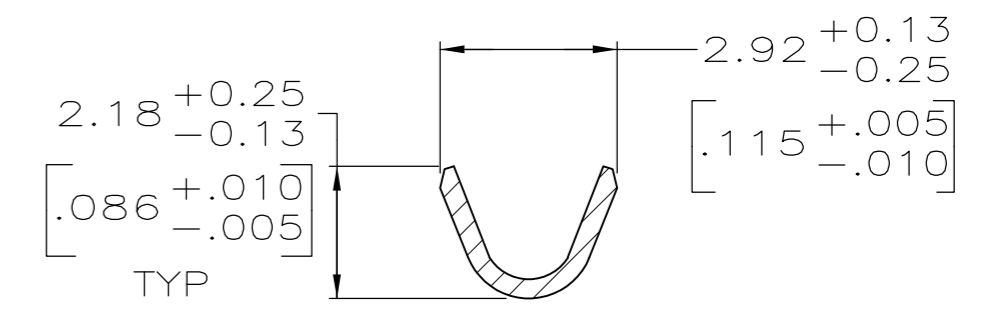
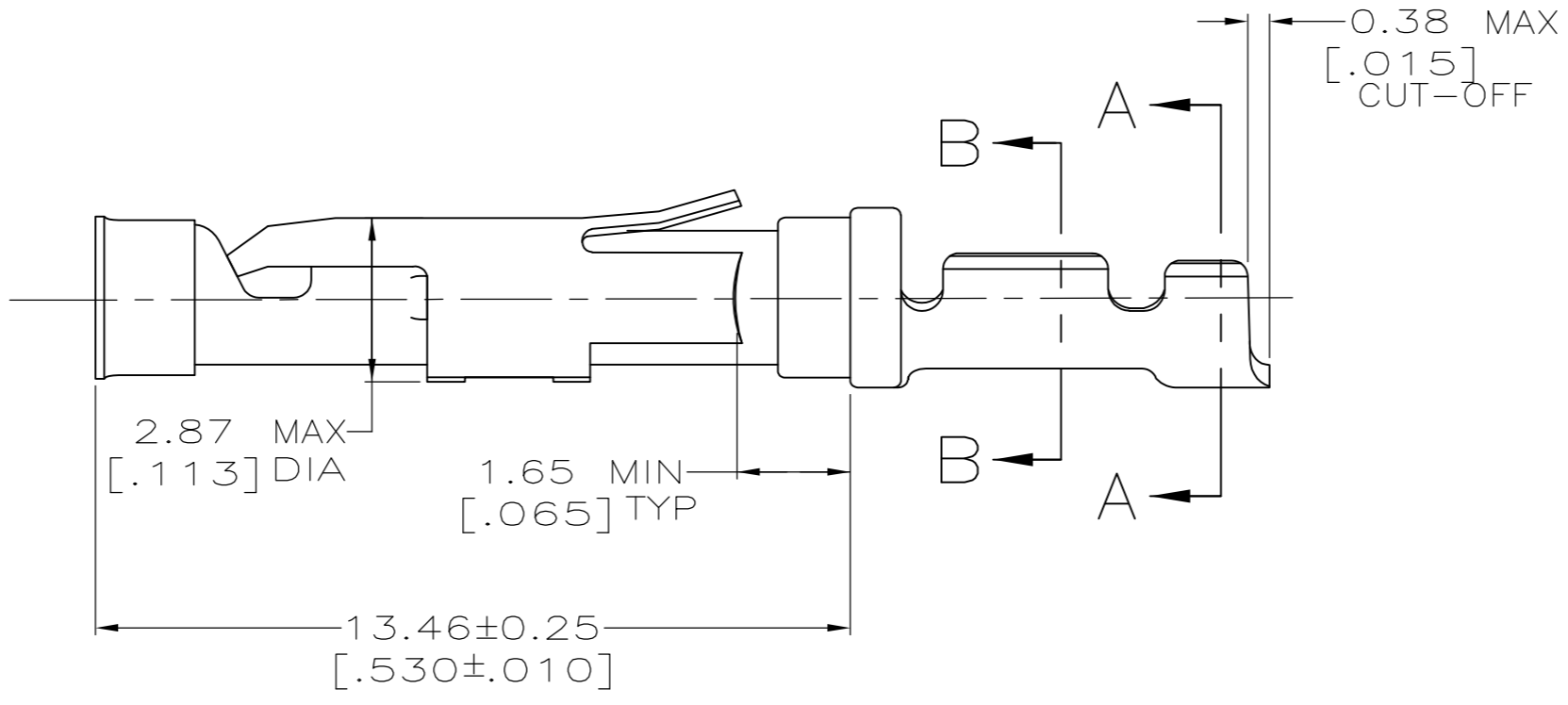
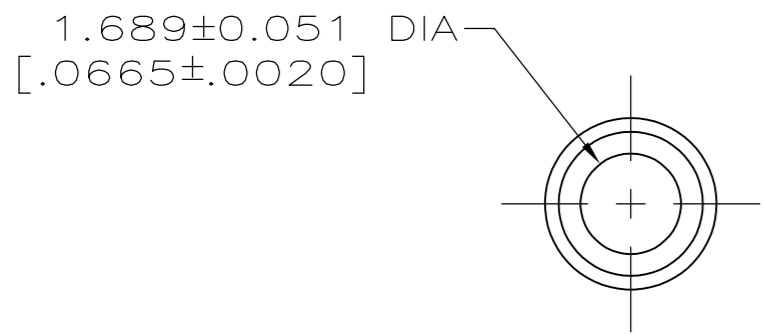
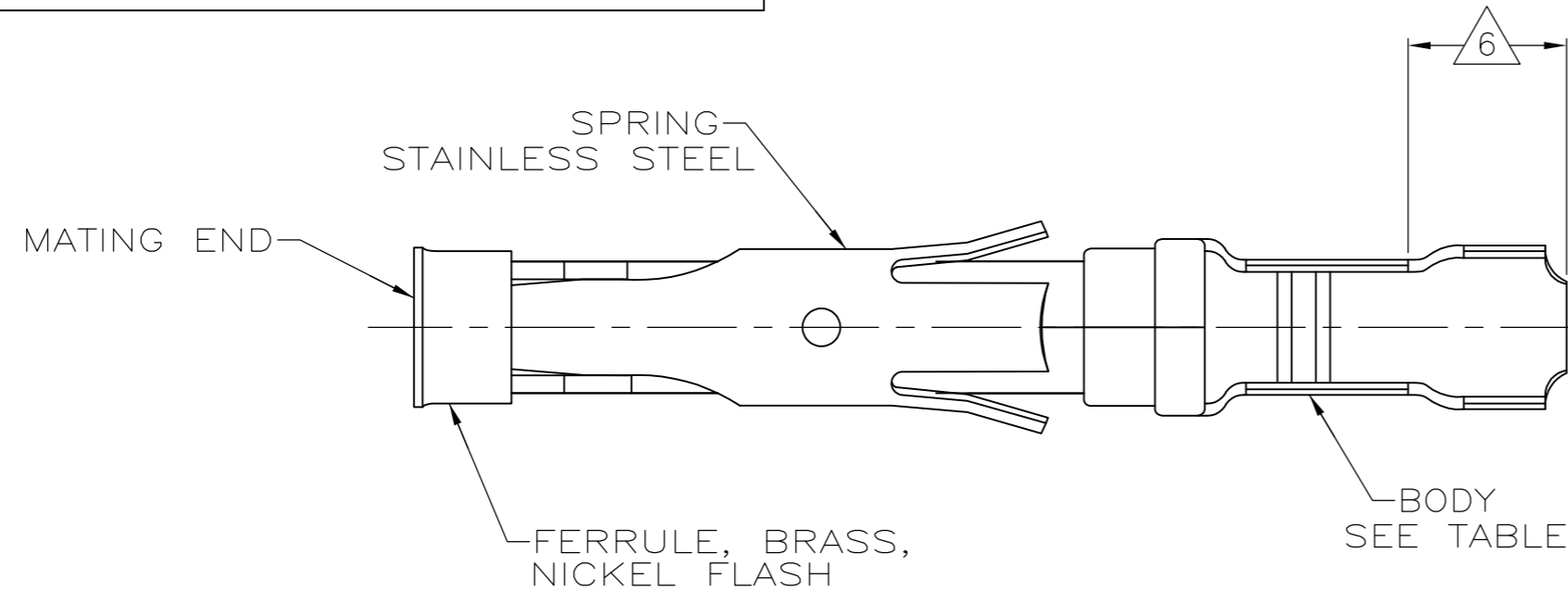


THIS DRAWING IS UNPUBLISHED. RELEASED FOR PUBLICATION  
 © COPYRIGHT - By - ALL RIGHTS RESERVED.

LOC		DIST		REVISIONS			
P	LTR	DESCRIPTION		DATE	DWN	APVD	
FT	47	J		REVISED PER ECO-12-012320	04JUL12	KH	MZ



- 1 0.76µm [.000030] MIN GOLD PER MIL-G-45204 ON MATING END FOR A LENGTH OF 5.08 [.200] MIN WITH 1.27µm [.000050] MIN MATTE TIN PLATE IN WIRE CRIMP AREA, BOTH OVER 0.76µm [.000030] MIN NICKEL PER QQ-N-290.
- 2 1.27µm [.000050] MIN TIN-LEAD PER MIL-T-10727 OVER 0.76µm [.000030] MIN NICKEL PER QQ-N-290.
- 3 0.76µm [.000030] MIN GOLD PER MIL-G-45204 ON MATING END FOR A LENGTH OF 5.08 [.200] MIN WITH A UNIFORM GRADIENT TO 0.25µm [.000010] MIN GOLD PER MIL-G-45204 ON THE REMAINDER OVER 0.76µm [.000030] NICKEL PER QQ-N-290.
- 4 0.38µm [.000015] MIN GOLD PER MIL-G-45204 ON MATING END FOR A LENGTH OF 5.08 [.200] MIN WITH 1.27µm [.000050] MIN MATTE TIN PLATE IN WIRE CRIMP AREA, BOTH OVER 0.76µm [.000030] MIN NICKEL PER QQ-N-290.
- 5 1.27µm [.000050] MIN GOLD PER MIL-G-45204 ON MATING END FOR A LENGTH OF 5.08 [.200] MIN WITH GOLD FLASH ON REMAINDER OVER 1.90µm [.000075] MIN NICKEL PER QQ-N-290.
- 6 GOLD PLATING NOT REQUIRED IN THIS AREA
- 7 WIRE RANGE 24-20 AWG. INSULATION RANGE 1.02 [.040]-2.03 [.080].
- 8 0.38µm [.000015] MIN GOLD PER MIL-G-45204 ON MATING END FOR A LENGTH OF 5.08 [.200] MIN, 1.27µm [.000050] MIN TIN-LEAD PER MIL-T-10727 FOR A LENGTH OF 5.69 [.224] MIN ON OPPOSITE END, BOTH OVER 1.27µm [.000050] MIN NICKEL PER QQ-N-290 ON ENTIRE CONTACT.
- 9 1.27µm [.000050] MIN TIN PER MIL-T-10727 OVER 0.76µm [.000030] MIN NICKEL PER QQ-N-290.
- 10 OBSOLETE PARTS: OBSOLETE CIS STREAMLINING PER D.RENAUD/D.SINISI

OB	PKG	FIN	MAT	STRIP P/N REF	PART NO
	SMALL PACK	9	BRASS	1-66105-9	2-66105-0
	STNDARD	9	BRASS	3-66104-0	1-66105-9
	SMALL PACK	1	BRASS	66104-4	1-66105-8
10	SMALL PACK	4	BRASS	66104-3	<del>1-66105-7</del>
	SMALL PACK	2	BRASS	66104-2	1-66105-6
	SMALL PACK	3	BRASS	66104-1	1-66105-5
OBSOLETE	STANDARD	8	BRASS	2-66104-6	1-66105-4
OBSOLETE	STANDARD	1	PHOSPHOR BRONZE	2-66104-3	1-66105-3
OBSOLETE	STANDARD	2	PHOSPHOR BRONZE	2-66104-2	1-66105-2
OBSOLETE	STANDARD	5	BRASS	1-66104-6	1-66105-0
	STANDARD	1	BRASS	66104-4	66105-4
	STANDARD	4	BRASS	66104-3	66105-3
	STANDARD	2	BRASS	66104-2	66105-2
	STANDARD	3	BRASS	66104-1	66105-1
	PACKAGING TYPE	BODY FINISH	BODY MATERIAL	STRIP P/N REF	PART NO

THIS DRAWING IS A CONTROLLED DOCUMENT.

DWN	L.SIPE	06/01/92
CHK	W.LENKER	6-11-92
APVD	G.STEINHAUER	7-8-92
PRODUCT SPEC	NAME	
APPLICATION SPEC	SOCKET ASSEMBLY, LOOSE PIECE, TYPE III+	
WEIGHT	SCALE	SHEET
-	A2	1 OF 1
CUSTOMER DRAWING	DRAWING NO	REV
	C=66105	J