

MMC Ready™

Manual

All Mikroelektronika's development systems feature a large number of peripheral modules expanding microcontroller's range of application and making the process of program testing easier. In addition to these modules, it is also possible to use numerous additional modules linked to the development system through the I/O port connectors. Some of these additional modules can operate as stand-alone devices without being connected to the microcontroller.

Additional board

 **MikroElektronika**

SOFTWARE AND HARDWARE SOLUTIONS FOR EMBEDDED WORLD ...making it simple

MMC Ready

The MMC Ready additional board is used to read and write to SD memory cards. It can also serve as a small development system as it features a 28-pin microcontroller PIC18F252.

Key features:

- On-board microcontroller PIC18F252;
- External programmer is used for programming;
- Low power consumption;
- 5V DC power supply voltage.

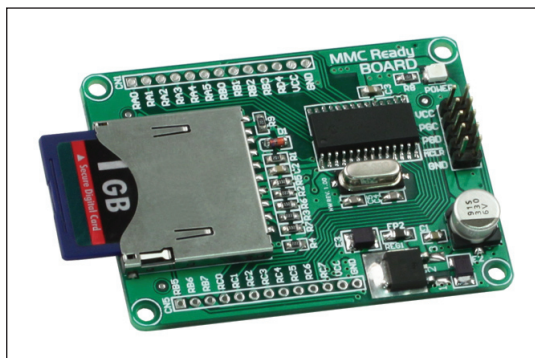


Figure 1: MMC Ready additional board

How to connect the board?

The MMC Ready additional board can be easily connected to a device or a microcontroller via pads CN1 and CN5. Next to each pad, there is a designation indicating the microcontroller pin that it is connected to. The PICFlash external programmer is used to program the microcontroller on the additional board. It is connected to the board via a 2x5 connector CN2, Figure 2.

How to use the board?

The program used to read SD memory cards is loaded into the microcontroller supplied on the additional board. If needed, it is also possible to load another program into the microcontroller by using the PICFlash external programmer. When the microcontroller is programmed, it is necessary to place jumpers over RB6 and RB7 pins on the CN2 connector. Otherwise, pins RB6 and RB7 will not be connected to pads.

More information on the MMC Ready additional board and examples for it may be found on our website at: <http://www.mikroe.com/eng/products/view/528/mmc-ready-board/#/>



Figure 2: MMC Ready additional board connected to a programmer

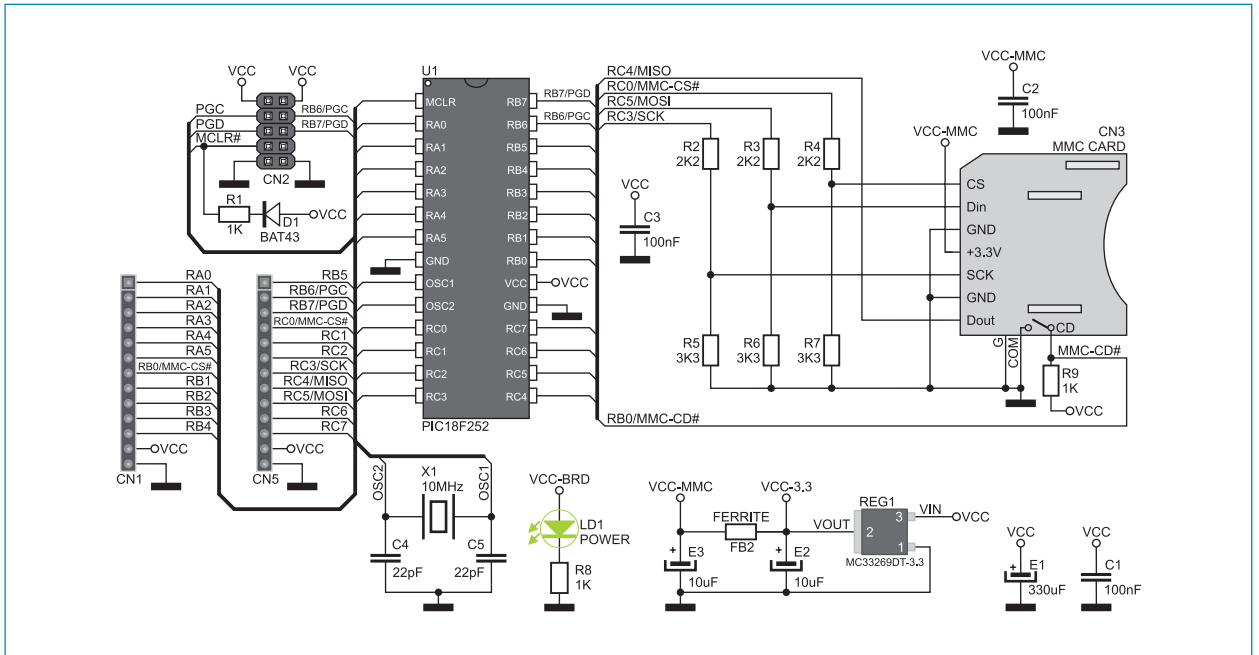


Figure 3: MMC Ready additional board connection schematic

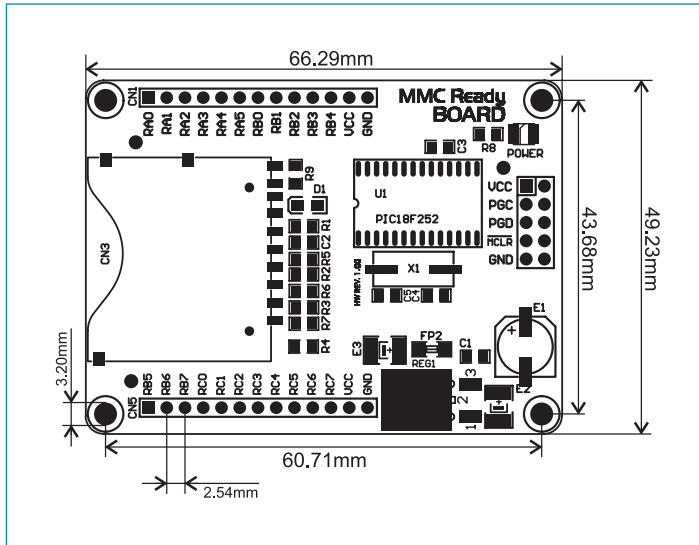


Figure 4: Dimensions of the MMC Ready board



MikroElektronika

SOFTWARE AND HARDWARE SOLUTIONS FOR EMBEDDED WORLD ...making it simple

If you want to learn more about our products, please visit our website at www.mikroe.com

If you are experiencing some problems with any of our products or just need additional information, please place your ticket at www.mikroe.com/en/support

If you have any questions, comments or business proposals, do not hesitate to contact us at office@mikroe.com