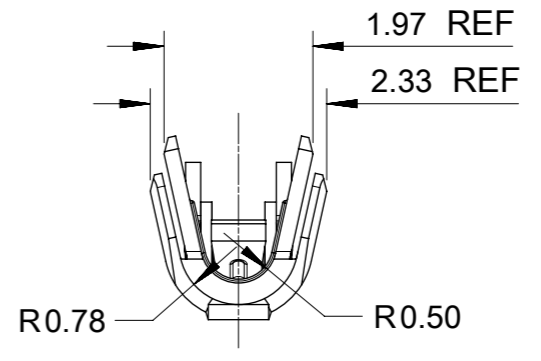
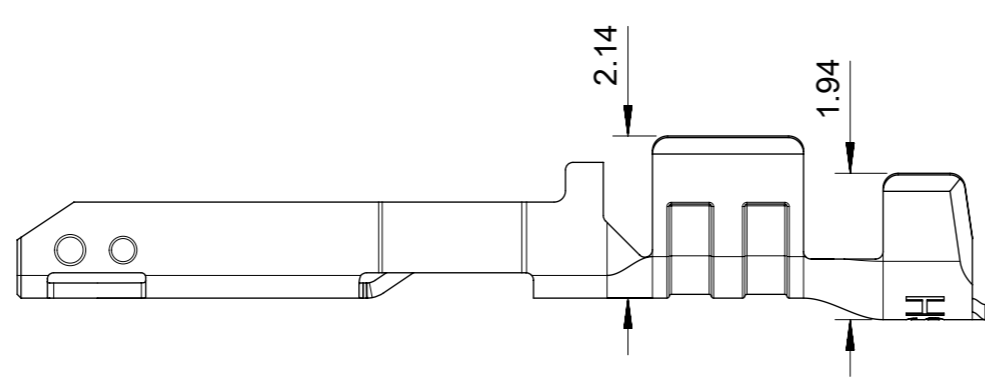


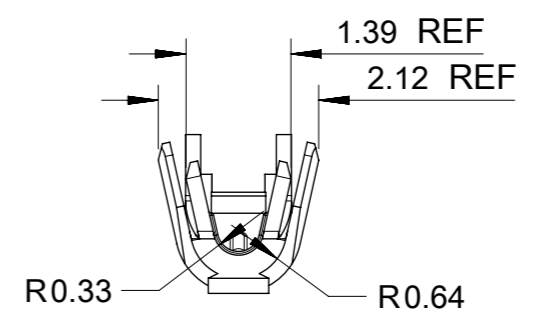
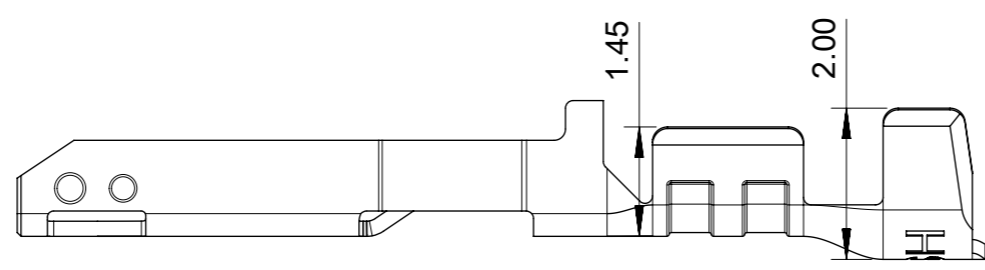
- NOTES:
1. MATERIAL: HIGH CONDUCTIVITY COPPER ALLOY.
 2. PLATING FINISH SEE CHART IN SHEET 3.
 3. PRODUCT SPECIFICATION: PS-105300-100.
 4. PACKAGE SPECIFICATION: PK-105300-100.
 5. THE TERMINAL IS LUBRICATED.
 6. THE COMPONENT COMPLIANT TO RoHS DIRECTIVE 2011/65/EU AND ELV DIRECTIVE 2000/53/EC.
 7. PRODUCT APPLY TO RECEPTACLE HOUSING OF 105307-**** AND 105308-****.
 8. PARTS CONFORM TO CLASS 'B' REQUIREMENTS OF COSMETIC SPECIFICATION PS-45499-002.
 9. APPLICATION SPECIFICATION: AS-105300-100.
 10. RECOMMENDED INSULATOR:
20AWG WIRE, OD 1.60MM MAX.
24AWG WIRE, OD 1.30MM MAX.

THIS DRAWING CONTAINS INFORMATION THAT IS PROPRIETARY TO MOLEX ELECTRONIC TECHNOLOGIES, LLC AND SHOULD NOT BE USED WITHOUT WRITTEN PERMISSION											
QUALITY SYMBOLS 	2017/03/29	2017/05/15	GENERAL TOLERANCES (UNLESS SPECIFIED)		DIMENSION UNITS	SCALE					
	EC NO: 115635 DRWN: GLLI CHK'D: AYIN APPR: AYIN	A	ANGULAR TOL ± 3.0 °		MM	10:1					
			4 PLACES ±	DRWN BY		DATE					
			3 PLACES ±	GLLI		2015/03/18					
			2 PLACES ± 0.15	CHK'D BY		DATE					
1 PLACE ± 0.20	APPR BY		DATE		PRODUCT CUSTOMER DRAWING						
0 PLACES ±	DRAFT WHERE APPLICABLE MUST REMAIN WITHIN DIMENSIONS		A3		THIRD ANGLE PROJECTION		SERIES	MATERIAL NUMBER	CUSTOMER		
							200457	SEE SHEET 3	GENERAL MARKET		
							DOCUMENT NUMBER		DOC TYPE	DOC PART	SHEET NUMBER
							2004570710		PSD	000	1 OF 3

RELEASE STATUS	RELEASE DATE	07:01:02
----------------	--------------	----------

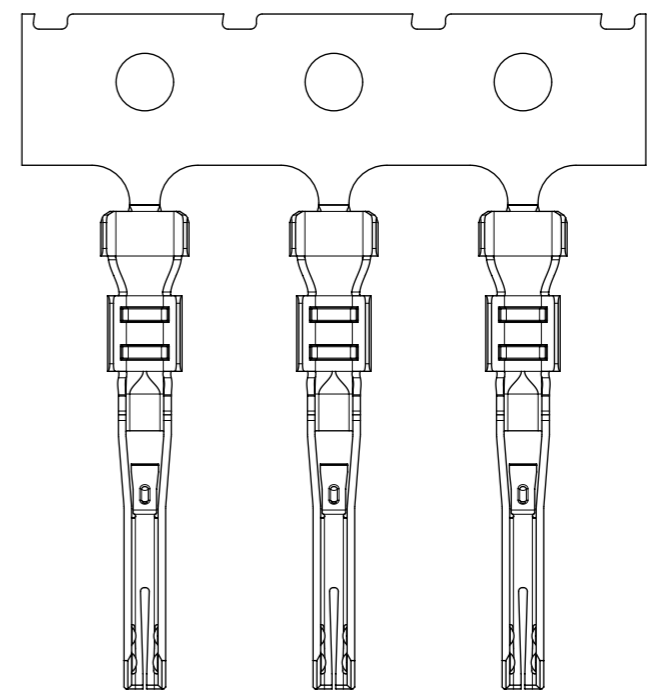
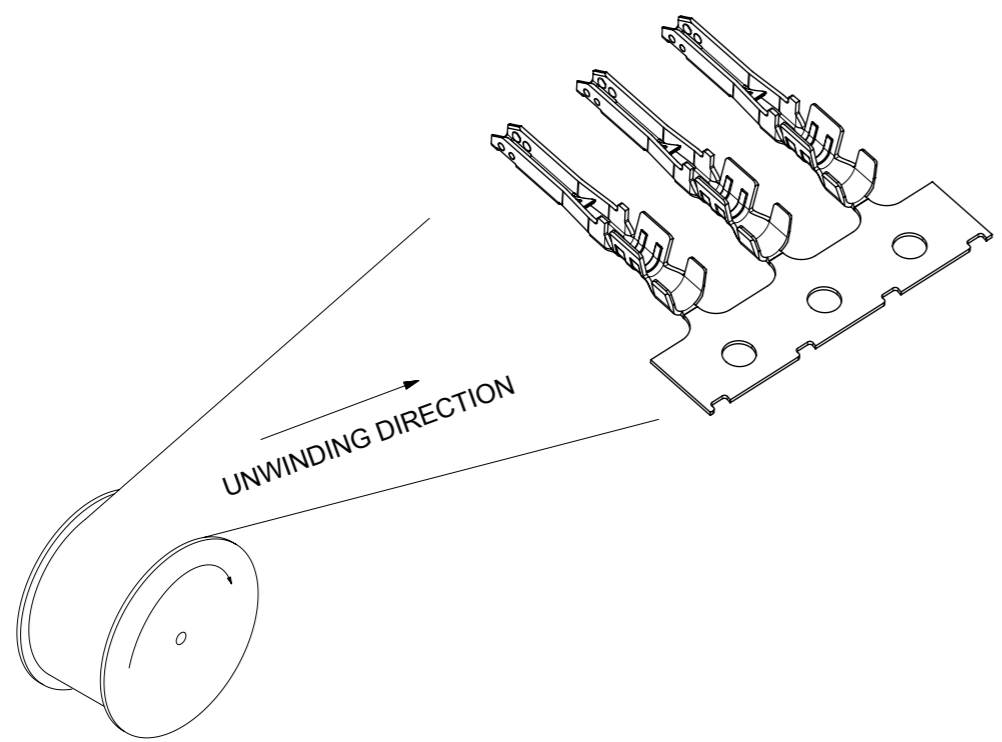


ONLY FOR WIRE OF AWG 20/22



ONLY FOR WIRE OF AWG 24/26

QUALITY SYMBOLS 	THIS DRAWING CONTAINS INFORMATION THAT IS PROPRIETARY TO MOLEX ELECTRONIC TECHNOLOGIES, LLC AND SHOULD NOT BE USED WITHOUT WRITTEN PERMISSION										
	2017/03/29 2017/05/15 EC NO: 115635 DRWN: GLLI CHK'D: AYIN APPR: AYIN	GENERAL TOLERANCES (UNLESS SPECIFIED)		DIMENSION UNITS	SCALE						
		ANGULAR TOL ± 3.0 °		MM	10:1						
		4 PLACES ±	DRWN BY		DATE	CRIMP TERMINAL FOR NANO-FIT RECEPTACLE POWER CONNECTOR, TIN PLATING					
		3 PLACES ±	GLLI		2015/03/18						
		2 PLACES ± 0.15	CHK'D BY		DATE	PRODUCT CUSTOMER DRAWING					
	1 PLACE ± 0.20	APPR BY		DATE							
	0 PLACES ±	DRAWING SIZE		THIRD ANGLE PROJECTION	SERIES	MATERIAL NUMBER	CUSTOMER				
	DRAFT WHERE APPLICABLE MUST REMAIN WITHIN DIMENSIONS	A3			200457	SEE SHEET 3	GENERAL MARKET				
		REV			DOCUMENT NUMBER		DOC TYPE	DOC PART	SHEET NUMBER		
	A			2004570710		PSD	000	2 OF 3			



PART NUMBER	WIRE SIZE(AWG)
105300-1100	24/26
105300-2100	20/22

PLATING SPECIFICATION
 REFLOW MATTE TIN 2.5 MICRONS MINIMUM OVERALL,
 UNDER NICKEL PLATING 1.25 MICRONS MINIMUM OVERALL.

THIS DRAWING CONTAINS INFORMATION THAT IS PROPRIETARY TO MOLEX ELECTRONIC TECHNOLOGIES, LLC AND SHOULD NOT BE USED WITHOUT WRITTEN PERMISSION														
QUALITY SYMBOLS 	EC NO: 115635 DRWN: GLLI CHK'D: AYIN REV: A	2017/03/29 2017/05/15	GENERAL TOLERANCES (UNLESS SPECIFIED)			DIMENSION UNITS	SCALE							
			ANGULAR TOL ± 3.0 °			MM	5:1							
			4 PLACES ±			DRWN BY		DATE		CRIMP TERMINAL FOR NANO-FIT RECEPTACLE POWER CONNECTOR, TIN PLATING				
			3 PLACES ±			GLLI		2015/03/18						
			2 PLACES ± 0.15			CHK'D BY		DATE		PRODUCT CUSTOMER DRAWING				
1 PLACE ± 0.20			APP'R BY		DATE									
0 PLACES ±			AYIN		2015/04/08		SERIES	MATERIAL NUMBER	CUSTOMER					
DRAFT WHERE APPLICABLE MUST REMAIN WITHIN DIMENSIONS			DRAWING SIZE		THIRD ANGLE PROJECTION		200457	SEE CHART	GENERAL MARKET					
			A3				DOCUMENT NUMBER		DOC TYPE	DOC PART	SHEET NUMBER			
							2004570710		PSD	000	3 OF 3			