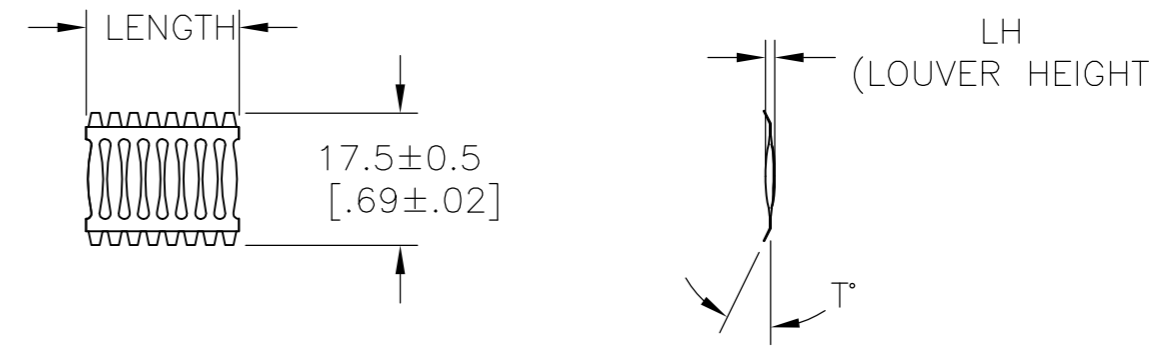
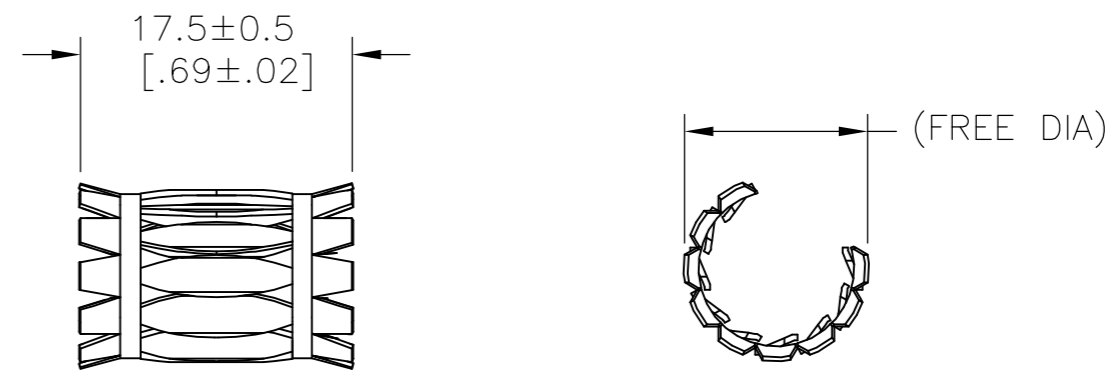


THIS DRAWING IS UNPUBLISHED. RELEASED FOR PUBLICATION
 © COPYRIGHT - By - ALL RIGHTS RESERVED.

REVISIONS				
P	LTR	DESCRIPTION	DATE	APVD
H		REVISED PER ECO-16-005106	28APR2016	NK MZ



STYLE C
(STRIP)



STYLE A
(FEMALE)

- 1 FINISH-GOLD PLATE 2.03-2.54µm [80-100µ"] THICK
- 2 FINISH-NICKEL PLATE 1.02-2.03µm [40-80µ"] THICK
- 3 FINISH-NICKEL PLATE 1.27-1.91µm [50-75µ"] THICK
- 4 FINISH-TIN PLATE 7.62-15.24µm [300-700µ"] THICK
- 5 FINISH-SILVER PLATE 18.78µm [700-1000µ"] THICK
- 6 FINISH-GOLD PLATE 0.25-0.51µm [10-20µ"] THICK
- 7 FINISH-SILVER PLATE 5.08-10.16µm [200-400µ"] THICK
- 8
- 9
- 10
- 11 PLATING NOTES ARE TO BE INTERPRETED AS FOLLOWS:
5-7 AS 5 OVER 7.
- 12 MATERIAL-CDA172 BeCu.
- 13 MATERIAL-STAINLESS STEEL.
- 14 OBSOLETE PARTS: OBSOLETE CIS STREAMLINING PER D.RENAUD/D.SINISI

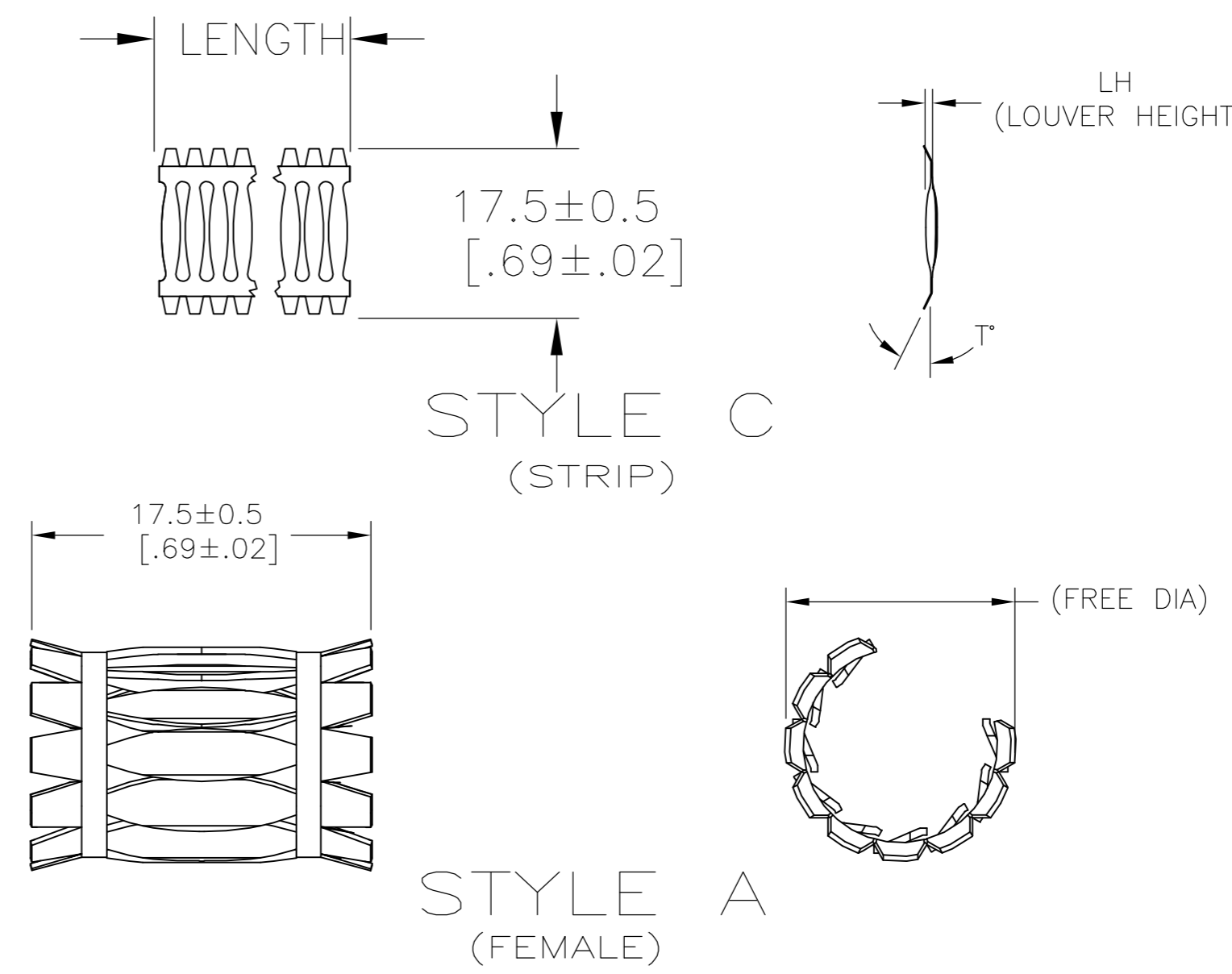
(FREE DIA)	LH	STYLE	T°	MATING PIN Ø REF	NUM LOUV	PLATING	MAT'L NOTE	MAT'L THK	REF	PART NUMBER	
[.45]	[.050]	A	15	9.01[.355]	117-2	12	0.15[.006]	01210	5-192013-0	OBSOLETE	
[.52]	[.046]	A	15	8.97[.353]	13UNPL	12	0.08[.003]	01126	4-192013-9	14	
[.42]	[.050]	A	15	7.92[.312]	10UNPL	13	0.15[.006]	01116	4-192013-8	14	
[.42]	[.052]	A	15	7.92[.312]	107-2	12	0.20[.008]	01118	4-192013-7	OBSOLETE	
[.42]	[.050]	A	15	7.92[.312]	106-2	12	0.15[.006]	01217	4-192013-6	OBSOLETE	14
[.42]	[.050]	A	15	7.92[.312]	107-2	12	0.15[.006]	01117	4-192013-5		
[.42]	[.050]	A	15	7.92[.312]	10UNPL	12	0.15[.006]	01266	4-192013-4	OBSOLETE	14
[.42]	[.050]	A	15	7.92[.312]	107-2	12	0.10[.004]	01281	4-192013-3		
		C	15	--	877-2	12	0.15[.006]	01030	4-192013-2	OBSOLETE	
1.48	[.052]	A	45	31.8[1.250]	397-2	12	0.20[.008]	01219	4-192013-1	OBSOLETE	
1.48	[.052]	A	45	31.8[1.250]	39UNPL	12	0.20[.008]	01218	4-192103-0	14	
1.48	[.050]	A	45	31.8[1.250]	397-2	12	0.15[.006]	01209	3-192013-9	OBSOLETE	
1.45	[.050]	A	45	30.1[1.187]	387-2	12	0.15[.006]	01193	3-192013-8		
1.21	[.050]	A	45	26.2[1.032]	337-2	12	0.15[.006]	01214	3-192013-7	OBSOLETE	14
1.15	[.050]	A	45	25.0[.984]	317-2	12	0.15[.006]	01319	3-192013-6	OBSOLETE	
1.02	[.050]	A	45	21.6[.850]	277-2	12	0.15[.006]	01208	3-192013-5		
1.05	[.050]	A	45	21.4[.842]	287-2	12	0.15[.006]	01165	3-192013-4	OBSOLETE	
.92	[.052]	A	45	19.1[.750]	247-2	12	0.20[.008]	01300	3-192013-3	14	
--	[.050]	C	45		555-2	12	0.15[.006]	01041	3-192013-2		
--	[.050]	C	45		55UNPL	12	0.15[.006]	01044	3-192013-1		
									3-192013-0	OBSOLETE	
--	[.050]	C	15		487-2	12	0.15[.006]	01043	2-192013-9		
--	[.050]	C	15		417-2	12	0.15[.006]	01027	2-192013-8		
--	[.050]	C	15		417-2	12	0.10[.004]	01028	2-192013-7		
--	[.050]	C	15		407-2	12	0.15[.006]	01243	2-192013-6	OBSOLETE	
--	[.050]	C	15		407-2	12	0.10[.004]	01047	2-192013-5	14	
--	[.050]	C	45		357-2	12	0.15[.006]	01033	2-192013-4		
--	[.050]	C	15		357-2	12	0.15[.006]	01032	2-192013-3		
--	[.050]	C	15		357-2	12	0.10[.004]	01299	2-192013-2		
									2-192013-1	OBSOLETE	
									2-192013-0	OBSOLETE	
--	[.050]	C	15		337-2	12	0.15[.006]	01026	1-192013-9	OBSOLETE	
--	[.050]	C	15		337-2	12	0.10[.004]	01025	1-192013-8	14	
									1-192013-7		
		C	15		207-2	12	0.15[.006]	01035	1-192013-6	OBSOLETE	
--	[.050]	C	15		194	12	0.15[.006]	01051	1-192013-5	OBSOLETE	14
		C	15		197-2	12	0.15[.006]	01031	1-192013-4	OBSOLETE	
--	[.050]	C	15		177-2	12	0.15[.006]	01059	1-192013-3	OBSOLETE	
--	[.050]	C	15		147-2	12	0.15[.006]	01053	1-192013-2		
--	[.050]	C	15		134	12	0.15[.006]	01065	1-192013-1	14	
--	[.050]	C	15		137-2	12	0.15[.006]	01077	1-192013-0	14	
--	[.050]	C	15		127-2	12	0.15[.006]	01055	1-192013-9	14	
									1-192013-8	OBSOLETE	
--	[.050]	C	15		121-3	12	0.10[.004]	01069	1-192013-7	14	
--	[.050]	C	15		117-2	12	0.15[.006]	01057	1-192013-6	14	
--	[.050]	C	15		104	12	0.15[.006]	01056	1-192013-5	14	
--	[.050]	C	15		107-2	12	0.15[.006]		1-192013-4	14	
		C	15		101-2	12	0.10[.004]	01046	1-192013-3	14	
--	[.050]	C	15		97-2	12	0.15[.006]	01081	1-192013-2	14	
--	[.050]	C	15		57-2	12	0.15[.006]	01045	1-192013-1	14	

THIS DRAWING IS A CONTROLLED DOCUMENT.		DWN RA JAYNE 07-01-91	TE Connectivity	
DIMENSIONS: mm [INCHES]		CHK G.STEINHAUER 07-01-91		
TOLERANCES UNLESS OTHERWISE SPECIFIED:		APVD G.STEINHAUER 07-01-91	NAME CONTACT BAND,FEMALE	
0 PLC ± - 1 PLC ± - 2 PLC ± 0.5 [.02] 3 PLC ± 0.25 [.010] 4 PLC ± - ANGLES ± -		PRODUCT SPEC -	DRAWING NO C=192013	
MATERIAL SEE TABLE		APPLICATION SPEC -	SIZE A2	RESTRICTED TO -
FINISH SEE TABLE		WEIGHT	CAGE CODE 00779	SHEET 1 OF 2
		CUSTOMER DRAWING	SCALE NTS	REV H

THIS DRAWING IS UNPUBLISHED. RELEASED FOR PUBLICATION
 © COPYRIGHT - By - ALL RIGHTS RESERVED.

REVISIONS				
P	LTR	DESCRIPTION	DATE	APVD
-	-	SEE SHEET 1	-	-

(FREE DIA)	LH	STYLE	T \$	MATING PIN	t	REF	NUM LOUV	PLATING	MAT'L NOTE	MAT'L THK	REF	PART NUMBER
[.89]	[.052]	A	15	19.1[.750]	23	UNPL	12	0.20[.008]	01248	9-192013-9		
[.92]	[.050]	A	15	19.1[.750]	24	UNPL	13	0.15[.006]	01203	9-192013-8		
[.92]	[.050]	A	15	19.1[.750]	24	6-2	12	0.15[.006]	01234	9-192013-7		
[.92]	[.050]	A	15	19.1[.750]	24	7-2	12	0.15[.006]	01154	9-192013-6		
[.92]	[.050]	A	15	19.1[.750]	24	UNPL	12	0.15[.006]	01152	9-192013-5		
									--	9-192013-4		
[.89]	[.050]	A	15	19.1[.750]	23	7-2	12	0.15[.006]	01255	9-192013-3		
[1.75]	[.050]	A	15	19.1[.750]	23	7-2	12	0.10[.004]	01279	9-192013-2		
[.92]	[.046]	A	15	19.1[.750]	24	7-2	12	0.08[.003]	01151	9-192013-1		
[.92]	[.046]	A	15	19.1[.750]	24	UNPL	12	0.08[.003]	01297	9-192013-0		
[.85]	[.050]	A	15	17.4[.685]	22	7-2	12	0.15[.006]	01223	8-192013-9		
[.80]	[.052]	A	15	15.88[.625]	20	7-2	12	0.20[.008]	01245	8-192013-8		
[.80]	[.052]	A	15	15.88[.625]	20	UNPL	12	0.20[.008]	01289	8-192013-7		
[.76]	[.052]	A	15	15.88[.625]	19	7-2	12	0.20[.008]	01259	8-192013-6		
[.76]	[.052]	A	15	15.88[.625]	19	UNPL	12	0.20[.008]	01258	8-192013-5		
[.83]	[.050]	A	15	15.88[.625]	21	7-2	12	0.15[.006]	01207	8-192013-4		
[.80]	[.050]	A	15	15.88[.625]	20	6-2	12	0.15[.006]	01317	8-192013-3		
[.80]	[.050]	A	15	15.88[.625]	20	7-2	12	0.15[.006]	01148	8-192013-2		
[.76]	[.050]	A	15	15.88[.625]	19	7-2	12	0.15[.006]	01311	8-192013-1		
[1.50]	[.050]	A	15	15.88[.625]	20	7-2	12	0.10[.004]	01273	8-192013-0		
[.80]	[.050]	A	15	15.57[.613]	20	7-2	12	0.15[.006]	01202	7-192013-9		
[.73]	[.052]	A	15	14.27[.562]	18	7-2	12	0.20[.008]	01143	7-192013-8		
[.45]	[.050]	A	15	9.01[.355]	11	UNPL	12	0.15[.006]		7-192013-7		
[.73]	[.050]	A	15	14.0[.551]	18	7-2	12	0.15[.006]	01264	7-192013-6		
[.70]	[.050]	A	15	14.0[.551]	17	7-2	12	0.15[.006]	01141	7-192013-5		
[.69]	[.052]	A	15	12.7[.500]	16	7-2	12	0.20[.008]	01137	7-192013-4		
[.69]	[.052]	A	15	12.7[.500]	16	UNPL	12	0.20[.008]	01247	7-192013-3		
[.69]	[.050]	A	15	12.7[.500]	16	UNPL	13	0.15[.006]	01244	7-192013-2		
[.69]	[.050]	A	15	12.7[.500]	16	7-2	12	0.15[.006]	01206	7-192013-1		
[.69]	[.046]	A	15	12.7[.500]	16	7-2	12	0.08[.003]	01275	7-192013-0		
[.64]	[.052]	A	15	11.99[.472]	15	7-2	12	0.20[.008]	01304	6-192013-9		
[.55]	[.050]	A	15	11.99[.472]	14	UNPL	13	0.15[.006]	01073	6-192013-8		
[.64]	[.050]	A	15	11.99[.472]	15	7-2	12	0.15[.006]	01135	6-192013-7		
[.64]	[.050]	A	15	11.99[.472]	15	UNPL	12	0.15[.006]	01134	6-192013-6		
[1.25]	[.050]	A	15	11.99[.472]	15	7-2	12	0.10[.004]	01286	6-192013-5		
[.80]	[.050]	A	15	15.88[.625]	20	UNPL	--	0.15[.006]		6-192013-4		
[.67]	[.046]	A	15	12.7[.500]	16	UNPL	--	0.08[.003]		6-192013-3		
[.53]	[.050]	A	15	10.0[.394]	13	UNPL	--	0.15[.006]		6-192013-2		
[.55]	[.052]	A	15	11.1[.437]	14	7-2	12	0.20[.008]	01131	6-192013-1		
[.55]	[.050]	A	15	11.1[.437]	14	UNPL	13	0.15[.006]	01246	6-192013-0		
[.55]	[.050]	A	15	11.1[.437]	14	7-2	12	0.15[.006]	01211	5-192013-9		
[.55]	[.050]	A	15	11.02[.434]	14	6-2	12	0.15[.006]	01128	5-192013-8		
[.55]	[.050]	A	15	11.02[.434]	14	UNPL	12	0.15[.006]	01216	5-192013-7		
[.52]	[.050]	A	15	10.0[.394]	13	6-2	12	0.15[.006]	01272	5-192013-6		
[.52]	[.050]	A	15	10.0[.394]	13	7-2	12	0.15[.006]	01205	5-192013-5		
[.50]	[.050]	A	15	9.53[.375]	12	7-2	12	0.15[.006]	01124	5-192013-4		
[.48]	[.050]	A		9.53[.375]	12	7-2	12	0.10[.004]	01268	5-192013-3		
[.48]	[.052]	A	15	9.07[.357]	12	7-2	12	0.20[.008]	01122	5-192013-2		
[.45]	[.050]	A	15	9.01[.355]	11	6-2	12	0.15[.006]	01121	5-192013-1		



(FREE DIA)	LH	STYLE	T \$	MATING PIN	t	REF	NUM LOUV	PLATING	MAT'L NOTE	MAT'L THK	REF	PART NUMBER
------------	----	-------	------	------------	---	-----	----------	---------	------------	-----------	-----	-------------

THIS DRAWING IS A CONTROLLED DOCUMENT.

DIMENSIONS: mm [INCHES]	TOLERANCES UNLESS OTHERWISE SPECIFIED: 0 PLC ± - 1 PLC ± - 2 PLC ± 0.5 [.02] 3 PLC ± 0.25 [.010] 4 PLC ± - ANGLES ± -	DWN RA JAYNE 07-01-91 CHK G.STEINHAUER 07-01-91 APVD G.STEINHAUER 07-01-91	TE Connectivity	
MATERIAL SEE TABLE	FINISH SEE TABLE	PRODUCT SPEC APPLICATION SPEC	NAME CONTACT BAND,FEMALE	
CUSTOMER DRAWING		WEIGHT	SIZE A2	CAGE CODE 00779
SCALE NTS		DRAWING NO C=192013	RESTRICTED TO -	
SHEET 2 OF 2		REV H		