
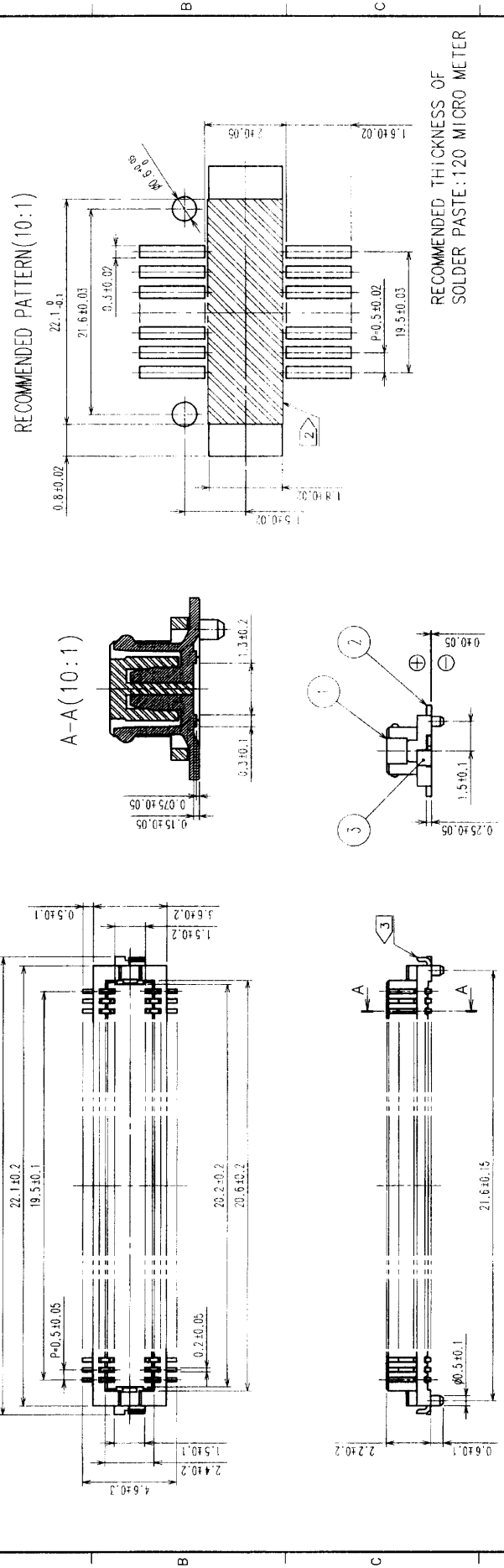


| DESCRIPTION OF REVISIONS | | BY | CHKD | DATE | COUNT | DESCRIPTION OF REVISIONS | | BY | CHKD | DATE |
|---|-----------------------------|---|------|------|--------------------------------|---|--------------------------|-------------------------------------|---|------|
| △ | | | | | △ | | | | | |
| △ | | | | | △ | | | | | |
| APPLICABLE STANDARD | | | | | | | | | | |
| RATING | OPERATING TEMPERATURE RANGE | - 45 °C TO 125 °C (NOTE1) | | | | STORAGE TEMPERATURE RANGE | - 10 °C TO 60 °C | | | |
| | VOLTAGE | 50 V AC | | | | APPLICABLE CONNECTOR | DF12*(3.0)-80DP-0.5V(29) | | | |
| | CURRENT | 0.3 A | | | | | | | | |
| SPECIFICATIONS | | | | | | | | | | |
| ITEM | | TEST METHOD | | | | REQUIREMENTS | | | QT | AT |
| CONSTRUCTION | | | | | | | | | | |
| GENERAL EXAMINATION | | VISUALLY AND BY MEASURING INSTRUMENT. | | | | ACCORDING TO DRAWING. | | | ○ | ○ |
| MARKING | | CONFIRMED VISUALLY. | | | | | | | ○ | ○ |
| ELECTRICAL CHARACTERISTICS | | | | | | | | | | |
| CONTACT RESISTANCE | | 100 mA (DC OR 1000 Hz). | | | | 50 mΩ MAX. | | | ○ | - |
| CONTACT RESISTANCE MILLIVOLT LEVEL METHOD. | | 20 mV MAX, mA(DC OR 1000 Hz). | | | | mΩ MAX. | | | - | - |
| INSULATION RESISTANCE | | 100 V DC. | | | | 500 MΩ MIN. | | | ○ | - |
| VOLTAGE PROOF | | 150 V AC FOR 1 min. | | | | NO FLASHOVER OR BREAKDOWN. | | | ○ | - |
| MECHANICAL CHARACTERISTICS | | | | | | | | | | |
| CONTACT INSERTION AND EXTRACTION FORCES | | BY STEEL GAUGE. | | | | INSERTION FORCE N MAX. EXTRACTION FORCE N MIN. | | | - | - |
| INSERTION AND WITHDRAWAL FORCES | | MEASURED BY APPLICABLE CONNECTOR. | | | | INSERTION FORCE N MAX. EXTRACTION FORCE N MIN. | | | - | - |
| MECHANICAL OPERATION | | 50 TIMES INSERTIONS AND EXTRACTIONS. | | | | ① CONTACT RESISTANCE: 50 mΩ MAX. ② NO DAMAGE, CRACK AND LOOSENESS, OF PARTS. | | | ○ | - |
| VIBRATION | | FREQUENCY 10 TO 55 Hz, SINGLE AMPLITUDE 0.75 mm, - m/s ² AT 2 h, FOR 3 DIRECTIONS. | | | | ① NO ELECTRICAL DISCONTINUITY OF 1 μs. ② CONTACT RESISTANCE: 50 mΩ MAX. ③ NO DAMAGE, CRACK AND LOOSENESS, OF PARTS. | | | ○ | - |
| SHOCK | | 490 m/s ² DURATION OF PULSE 11 ms AT 3 TIMES FOR 3 DIRECTIONS. | | | | ① NO ELECTRICAL DISCONTINUITY OF 1 μs. ② CONTACT RESISTANCE: 50 mΩ MAX. ③ NO DAMAGE, CRACK AND LOOSENESS, OF PARTS. | | | ○ | - |
| ENVIRONMENTAL CHARACTERISTICS | | | | | | | | | | |
| DAMP HEAT (STEADY STATE) | | EXPOSED AT 40 ± 2 °C, 90 TO 95 %, 96 h. | | | | ① CONTACT RESISTANCE: 50 mΩ MAX. ② INSULATION RESISTANCE: 500 MΩ MIN. ③ NO DAMAGE, CRACK AND LOOSENESS, OF PARTS. | | | ○ | - |
| RAPID CHANGE OF TEMPERATURE | | TEMPERATURE -65 → 5 TO 35 → 125 → 5 TO 35 °C TIME 30 → 10 TO 15 → 30 → 10 TO 15 min UNDER 5 CYCLES. | | | | ① CONTACT RESISTANCE: 50 mΩ MAX. ② INSULATION RESISTANCE: 500 MΩ MIN. ③ NO DAMAGE, CRACK AND LOOSENESS, OF PARTS. | | | ○ | - |
| CORROSION SALT MIST | | EXPOSED IN 5% SALT WATER SPRAY FOR 48 h. | | | | ① CONTACT RESISTANCE: 50 mΩ MAX. ② NO HEAVY CORROSION. | | | ○ | - |
| SULPHUR DIOXIDE | | EXPOSED IN 10 PPM FOR 96h. (TEST STANDARD: JEIDA-39) | | | | ① CONTACT RESISTANCE: 50 mΩ MAX. ② NO HEAVY CORROSION. | | | ○ | - |
| REMARKS NOTE1: INCLUDE THE TEMPERATURE RISING BY CURRENT. | | | | | DRAWN | DESIGNED | CHECKED | APPROVED | RELEASED | |
| Unless otherwise specified, refer to MIL-STD-1344. | | | | | <i>K. Nishikawa</i> 97.4.17 | <i>K. Nishikawa</i> 97.4.17 | <i>J. Owa</i> 97.4.23 | <i>H. Yamamoto</i> 97.4.24 |  | |
| Note QT: Qualification Test AT: Assurance Test O: Applicable Test | | | | | | | | | | |
| HRS HIROSE ELECTRIC CO., LTD. | | | | | SPECIFICATION SHEET | | | PART NO. DF12(3.0)-80DS-0.5V(29) | | |
| CODE NO.(OLD) CL | | DRAWING NO. ELC4-161614-01 | | | CODE NO. CL537-0613-7-29 | | | 1 | | 1 |

FOR REFERENCE ONLY
Subject to change without notice

| |
|----|
| TO |
| |
| |
| |
| |

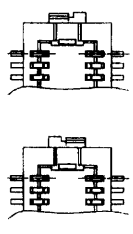
| COUNT | DESCRIPTION OF REVISIONS | BY | DATE | COUNT | DESCRIPTION OF REVISIONS | BY | DATE |
|-------|--------------------------|------|----------|-------|--------------------------|----|------|
| 1 | RE-H-03279 | T.G. | 11/11/97 | | | | |



RECOMMENDED THICKNESS OF
SOLDER PASTE: 120 MICRO METER

FOR REFERENCE ONLY
Subject to change without notice

NOTES 1 : LEAD CO-PLANARITY INCLUDING REINFORCED METAL FITTINGS SHALL BE 0.08 mm MAX.
IF THERE IS PATTERN ON PART, THERE IS A POSSIBILITY THAT IT WILL MAKE CONTACT WITH THE LEADS.
2 REINFORCED METAL FITTINGS AS FOLLOWS.



| NO. | MATERIAL | FINISH | REMARKS | NO. | MATERIAL | FINISH | REMARKS |
|-----|-----------------|-----------------|---------|-----|----------|-------------|---------|
| 2 | PHOSPHOR BRONZE | GOLD PLATING | | 3 | BRASS | TIN PLATING | |
| 1 | POLYAMIDE | NATURAL (BEIGE) | UL94V-0 | | | | |

| CODE NO. (OLD) | DRAWN | DESIGNED | CHECKED | APPROVED |
|----------------|---------------|---------------|------------|-------------|
| | K. Miderikawa | K. Miderikawa | T. Ono | M. Yamamoto |
| | '97. 4. 17 | '97. 4. 17 | '97. 4. 23 | '97. 4. 24 |

| DRAWING NO. | PART NO. |
|----------------|-------------------------|
| EDC3-161614-01 | DF12(3.0)-80DS-0.5V(29) |

| SCALE | UNITS | CODE NO. |
|-------|-------|-----------------|
| 5 : 1 | mm | CL537-0613-7-29 |



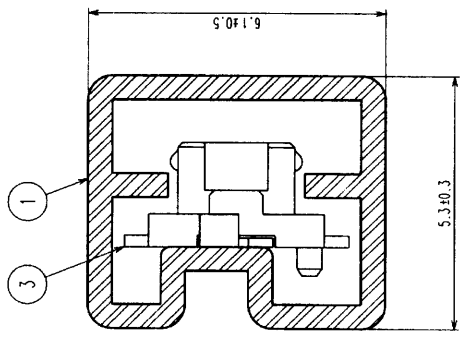
(1/1)

| 5 | 6 | 7 | 8 |
|--------------|--------------------------------|-------------|----------|
| △の順 COUNT | 訂正 DESCRIPTION OF REVISIONS | 年月日 DATE | 設計 BY |
| △ | | | |
| △ | | | |
| △ | | | |
| △ | | | |

50.0



A-A (10:1)

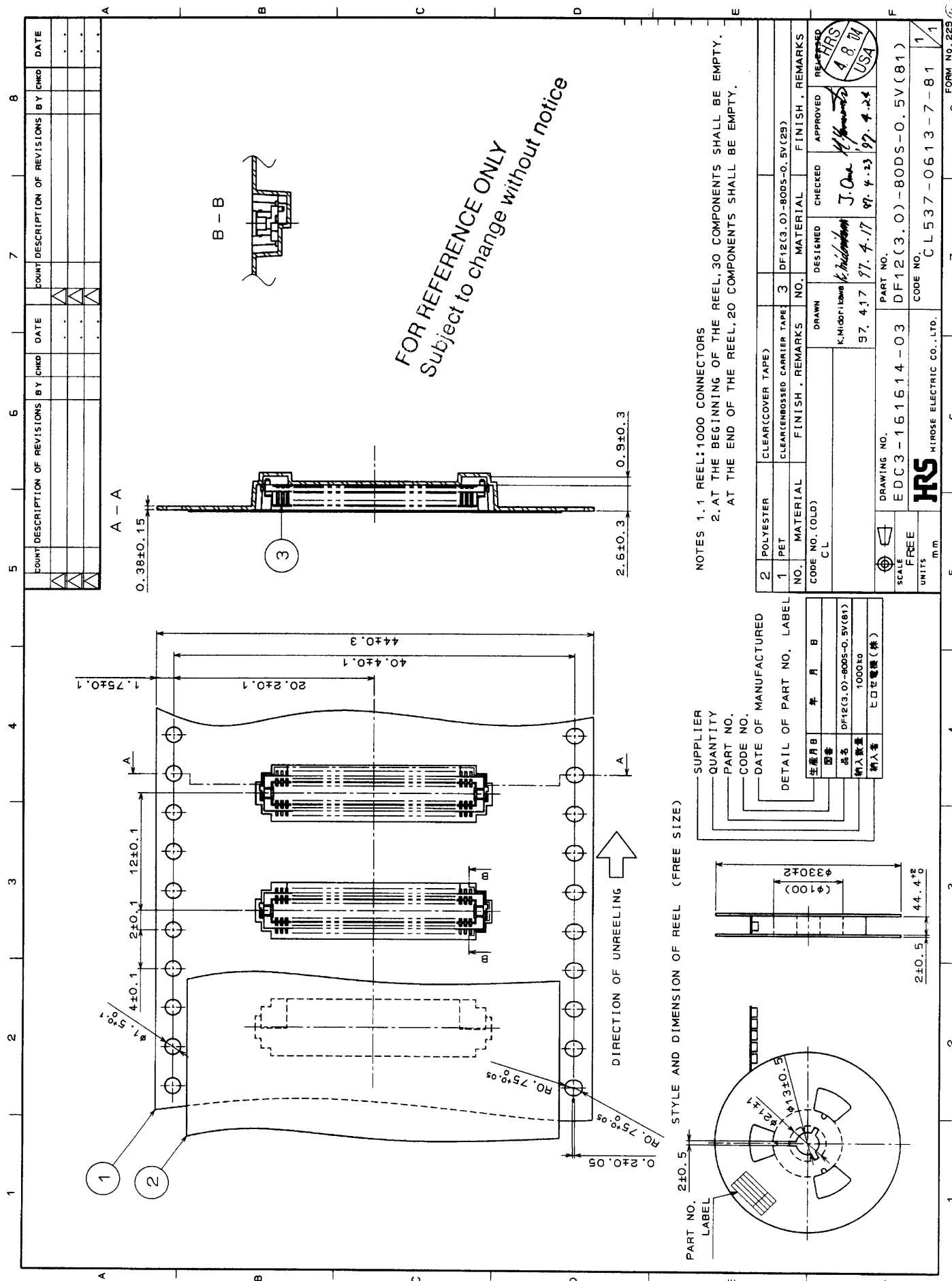


FOR REFERENCE ONLY
Subject to change without notice

- 注 1 マガジンの両端にストッパーを設けます。
- 注 2 反り、曲がり方が5.10mmに対して1mmとします。
- 注 3 最小販売単位はマガジンの挿入数量(21個)です。

| | | | | | | | |
|--------------------------|------------------------|-------------------|-------|-------------------------------|---------------|-------------------|----------------|
| 2 | 非結行性S.PVC ストッパー、GREEN | 材質 | 処理、備考 | 製図 DRAWN | 検図 CHECKED | 承認 APPROVED | 出庫 RELEASED |
| 1 | 硬質塩化ビニール 神電防止処理, CLEAR | 材質 | 処理、備考 | 製図 DRAWN | 検図 CHECKED | 承認 APPROVED | 出庫 RELEASED |
| 備考 REMARKS | | | | | | | |
| 旧製品コード CODE NO. (OLD) | | 図番 DRAWING NO. | | 製品名 PART NO. | | 製図 DRAWN | |
| FR. 1.1E | | ADC3-161614-02 | | DF12 (3.0) - 80DS - 0.5V (80) | | 製図 DRAWN | |
| 単位 UNITS | | mm | | 製品コード CODE NO. | | 製品コード CODE NO. | |
| | | | | CL537-0613-7-80 | | CL537-0613-7-80 | |
| | | | | FORM NO. 233 | | FORM NO. 233 | |

TO



| NO. | DESCRIPTION OF REVISIONS | BY | CHKD | DATE | COUNT | DESCRIPTION OF REVISIONS | BY | CHKD | DATE |
|-----|--------------------------|----|------|------|-------|--------------------------|----|------|------|
| 1 | | | | | | | | | |
| 2 | | | | | | | | | |
| 3 | | | | | | | | | |

NOTES
 1. REEL: 1000 CONNECTORS
 2. AT THE BEGINNING OF THE REEL, 30 COMPONENTS SHALL BE EMPTY.
 AT THE END OF THE REEL, 20 COMPONENTS SHALL BE EMPTY.

| | | | | | |
|------------------|-----------|------------------------------|-----------|-------------------------|------------|
| 2 | POLYESTER | CLEAR(COVER TAPE) | | | |
| 1 | PET | CLEAR(EMBOSSED CARRIER TAPE) | 3 | DF12(3.0)-80DS-0.5V(81) | |
| NO. | MATERIAL | FINISH | REMARKS | MATERIAL | FINISH |
| CODE NO. (OLD) | C.L. | | | | |
| DRAWN | | DESIGNED | CHECKED | APPROVED | RELEASED |
| K. Murofune | | K. Murofune | J. Owa | M. Yamada | HRS |
| 97. 4. 17 | | 97. 4. 17 | 97. 4. 23 | 97. 4. 24 | A 8 TM USA |
| PART NO. | | PART NO. | | PART NO. | |
| EDC3-161614-03 | | DF12(3.0)-80DS-0.5V(81) | | DF12(3.0)-80DS-0.5V(81) | |
| SCALE | | SCALE | | SCALE | |
| FREE | | FREE | | FREE | |
| UNITS | | UNITS | | UNITS | |
| mm | | mm | | mm | |
| DRAWING NO. | | DRAWING NO. | | DRAWING NO. | |
| EDC3-161614-03 | | EDC3-161614-03 | | EDC3-161614-03 | |
| CODE NO. | | CODE NO. | | CODE NO. | |
| C.L537-0613-7-81 | | C.L537-0613-7-81 | | C.L537-0613-7-81 | |
| 1 | | 1 | | 1 | |
| 1 | | 1 | | 1 | |

