

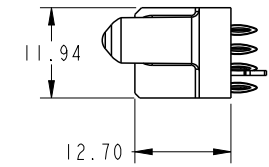
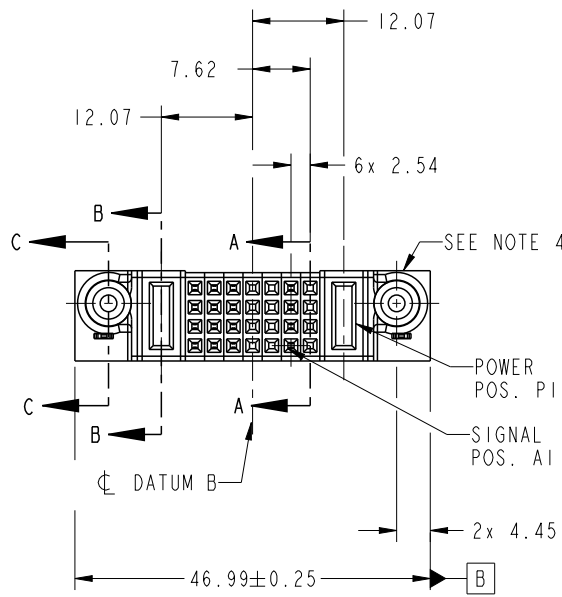
1

2

3

4

PRODUCT NO. 51750-137-- NOTE: 3	ROWS D C B A	POWER SIGNAL POWER										
		E2	P2	7	6	5	4	3	2	1	P1	E1
				F	F	F	X	X	X	F		



CODE	DIM "M" MATING LENGTH	CONTACT TYPE
PC	[1.07]	POWER
F	[N/A]	SIGNAL
HA	[N/A]	HOLD-DOWN
X	[N/A]	OMITTED



Copyright FCI.

spec ref	*	dr	Luo Weller	2014/02/11	projection	MM	size	A4	scale	1:1
tolerance std	TOLERANCES UNLESS OTHERWISE SPECIFIED	eng	Luo Weller	2014/02/21			ecn no	-	rel level	Released
SEE NOTE		chr	-	-						
surface	linear	appr	Pei-Ming Zheng	2014/02/21	product family	PwrBlade		rev	A	
✓		0.X	±0.5		title	IP + 28S + IP	dwg no			51750-137
	0.XX	±0.25	cat. no.					Product - Customer Drw	sheet 1 of 4	
	0.XXX	±0.1								
angular	0°	±2°	www.fci.com	*						

PrdE File - REV C - 2009-06-09

1

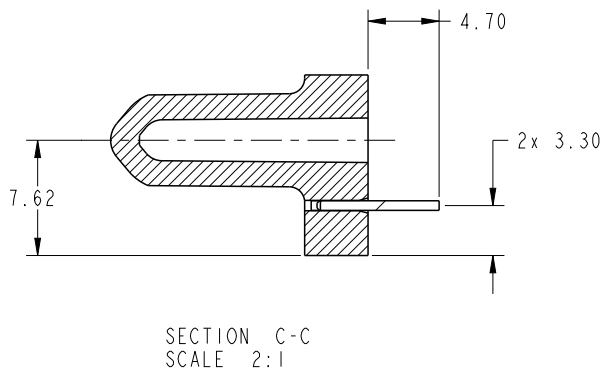
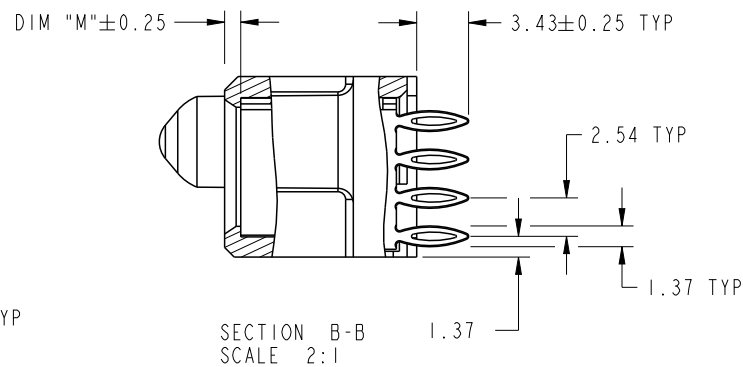
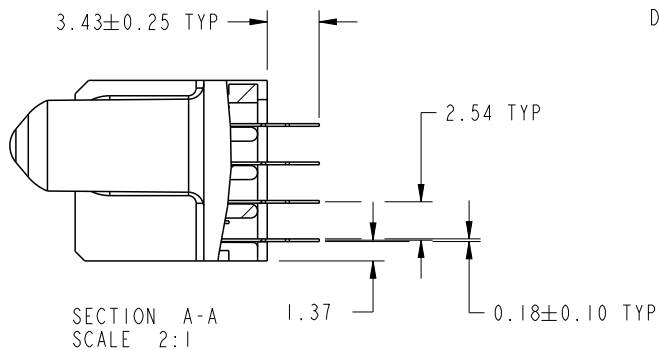
2

3

4

PRODUCT NUMBER

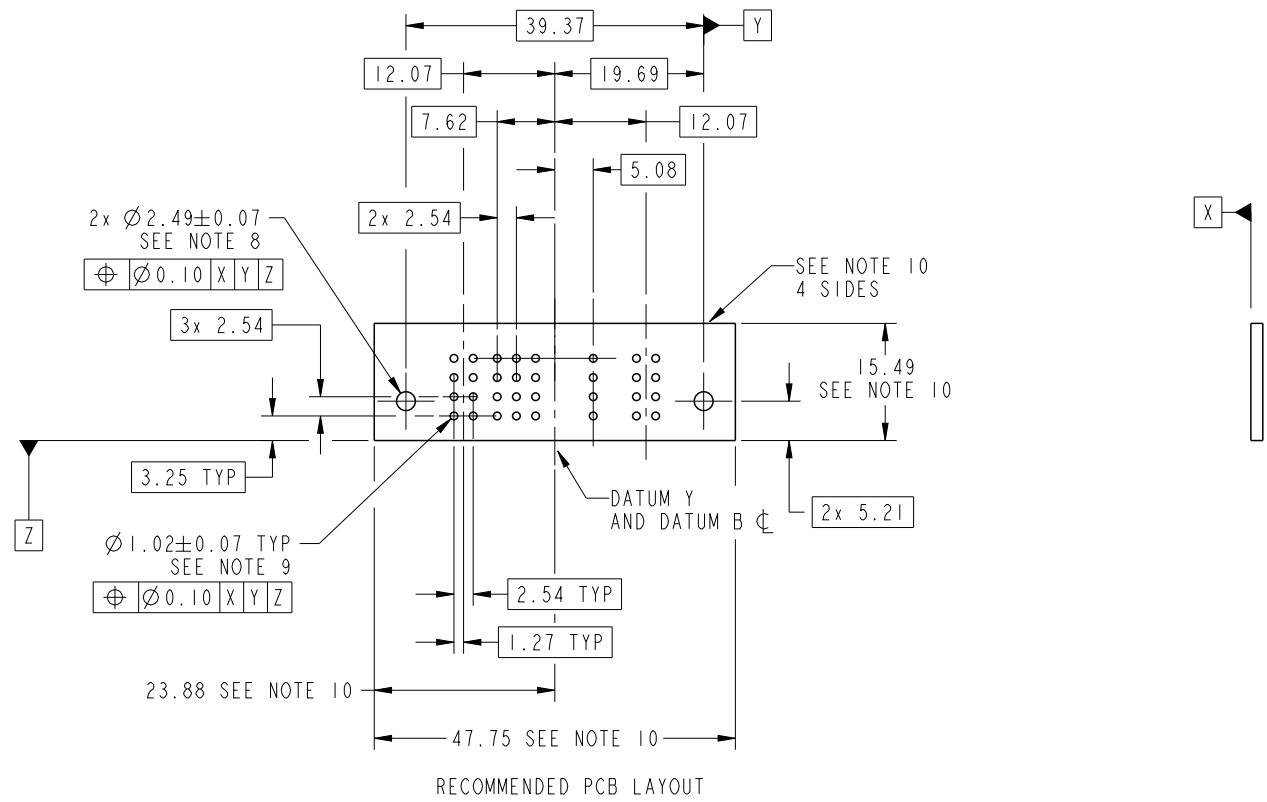
51750-137__
NOTE: 3



dr	Luo Weller	2014/02/11	projection 	MM 	size	A4	scale	1:1
eng	Luo Weller	2014/02/21			ecn no	-		
chr	-	-			rel level	Released		
appr	Pei-Ming Zheng	2014/02/21	product family	PwrBlade	rev	A		
		title IP + 28S + IP VERTICAL PRESS FIT RECEPT	dwg no 51750-137	www.fci.com	cat. no. *	Product - Customer Drw	sheet 2 of 4	

PRODUCT NUMBER

51750-137__
NOTE: 3



dr	Luo Weller	2014/02/11	projection 	MM 	size	A4	scale	1:1
eng	Luo Weller	2014/02/21			ecn no	-		
chr	-	-			rel level	Released		
appr	Pei-Ming Zheng	2014/02/21	product family	PwrBlade	rev	A		
		title		IP + 28S + IP	dwg no	51750-137	rev	A
www.fci.com		cat. no.	*	Product - Customer Drw	sheet 3 of 4			

PRODUCT NUMBER

51750-137--
NOTE: 3

NOTES:

1. DIMENSIONS AND TOLERANCES ARE IN ACCORDANCE WITH ASME Y14.5M, 1994 UNLESS OTHERWISE SPECIFIED.

CONNECTOR NOTES:

- 2 HOUSING MATERIAL: UL 94 V-0 GLASS FILLED HIGH-TEMP THERMOPLASTIC
POWER CONTACT MATERIAL: COPPER ALLOY
SIGNAL PIN MATERIAL: COPPER ALLOY
- 3. SEE ITEM 7 & 8 IN PRINT 10064183 FOR PLATING SPEC OF 51750-137 AND 51750-137LF RESPECTIVELY.
- 4 MANUFACTURER'S NAME, DATE CODE AND OPTIONAL P/N TO APPEAR ON THIS SURFACE. THE MARK CAN BE OMITTED IF THERE IS NOT ENOUGH SPACE ON THIS SURFACE.
- 5. PRODUCT SPECIFICATION GS-12-149.
APPLICATION SPECIFICATION BUS-20-067.
- 6. PACKAGED IN TRAYS.
- PCB NOTES:
- 7. ALL HOLE DIAMETERS ARE FINISHED HOLE SIZE.
- 8 MOUNTING HOLES, WHERE APPLICABLE, ARE UNPLATED.
- 9 $\varnothing 1.151 \pm 0.025$ DRILLED HOLES PLATED WITH
0.008 MIN SnPb OR Sn OVER 0.03
TO 0.08 Cu PLATING TO ACHIEVE
 $\varnothing 1.02 \pm 0.07$ HOLE.
- 10 CONNECTOR KEEP-OUT ZONE.
- 11. THE VOID CORING IN BETWEEN POWER MODULES, SIGNAL MODULES AND END MODULES ARE OPTIONAL AND THE SHAPE MAY BE DIFFERENT FOR OPTIMIZE THE MOLDING PROCESS. THE VOID CORING WILL NOT EFFECT TO PRODUCT FUNCTION.



Copyright FCI.

dr	Luo Weller	2014/02/11	projection 	MM 	size	A4	scale	1:1
eng	Luo Weller	2014/02/21			ecn no	-		
chr	-	-			product family	PwrBlade	rel level	Released
appr	Pei-Ming Zheng	2014/02/21			title IP + 28S + IP VERTICAL PRESS FIT RECEPT	dwg no 51750-137	rev A	
www.fci.com		cat. no.	*	Product - Customer Drw		sheet 4 of 4		