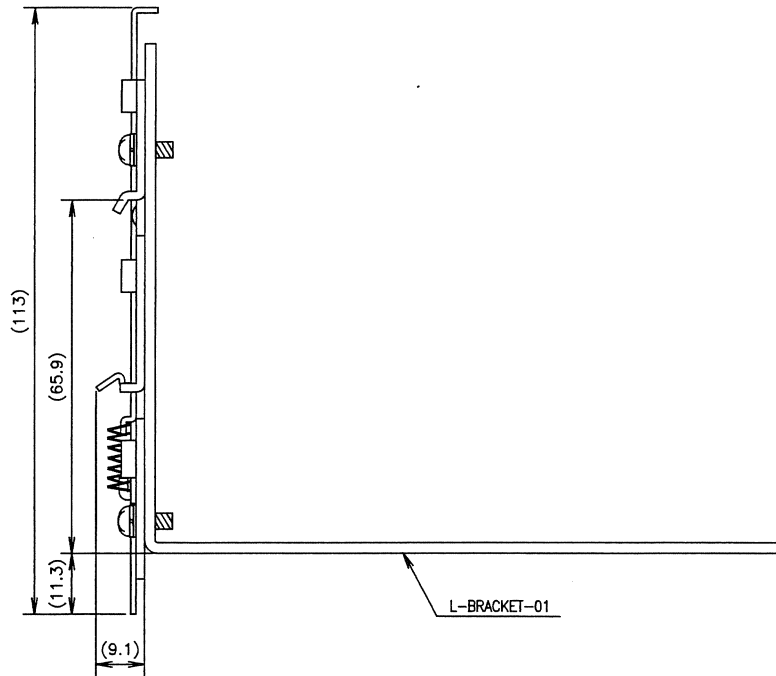
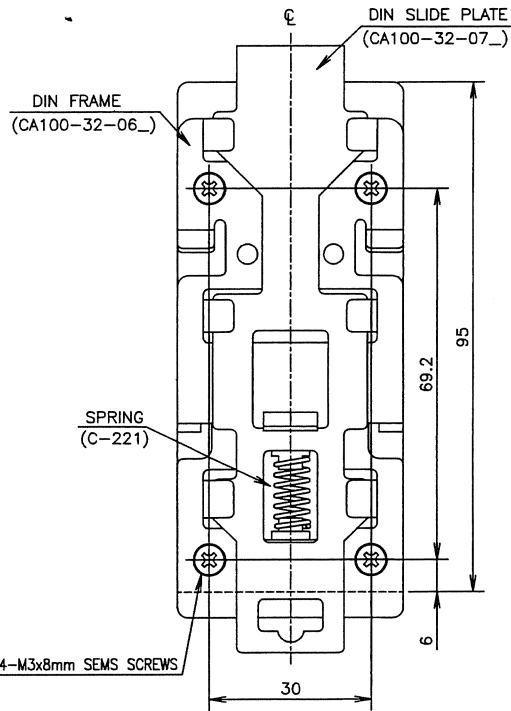
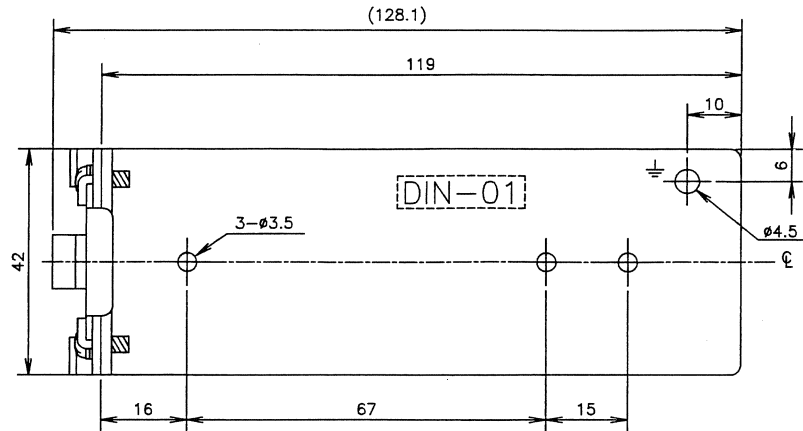


RoHS Compliance

REFER TO DL GROUP GREEN PROCUREMENT GUIDE LINE (DL-EMS-010_).



PARTS LIST

	PARTS LIST	CATALOG No.	NET	MANUFACTURE
1	DIN FRAME	CA100-32-06_ (ONWARD CA100-32-06C)	1	D-L
2	DIN SLIDE PLATE	CA100-32-07_ (ONWARD CA100-32-07C)	1	D-L
3	L-BRACKET-01	8000-3-667_	1	D-L
4	SPRING	C-221	1	KATO SPRING
5	SCREWS	M3x8mm SEMS	4	D-L



SCALE	1 / 1	MATERIALS	TITLE	DIN-01(HWS15/30)
UNITS	mm	SPCC-SD t=2.0		MOUNTING PLATE
		FINISH	DRAWING No.	8000-3-664 - <input type="checkbox"/>
			DENSEI-LAMBDA	

-	-1	NEW RELEASE	29/Jul/05	Sh.Kondo	Fukuda	Shige
D	REV	CONTENTS	DATE	ENGR	CHK	APPD

R:\engineering_control\other\8000\80003664.dwg