

THIS INFORMATION IS CONFIDENTIAL AND PROPRIETARY TO CW INDUSTRIES INCORPORATED AND ITS AFFILIATES. IT MAY NOT BE DISCLOSED TO ANYONE, OTHER THAN CW INDUSTRIES PERSONNEL, WITHOUT WRITTEN AUTHORIZATION FROM CW INDUSTRIES INCORPORATED, SOUTHAMPTON, PENNSYLVANIA USA.

E

D

C

B

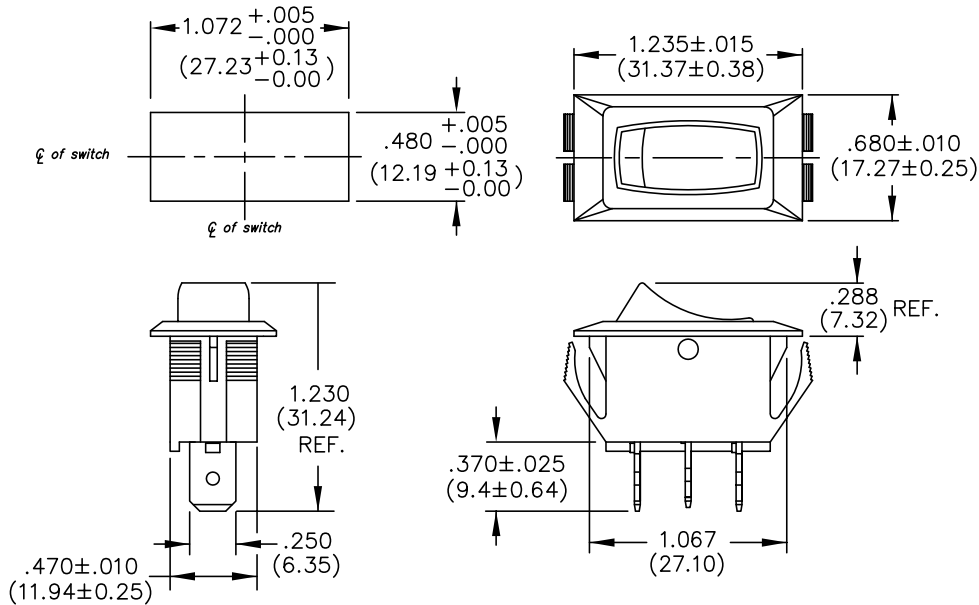
A

PANEL THICKNESS
 .025" to .180"
 (0.64mm to 4.57mm)

DIMENSIONS IN INCHES (MILLIMETERS)
 DO NOT SCALE DRAWING

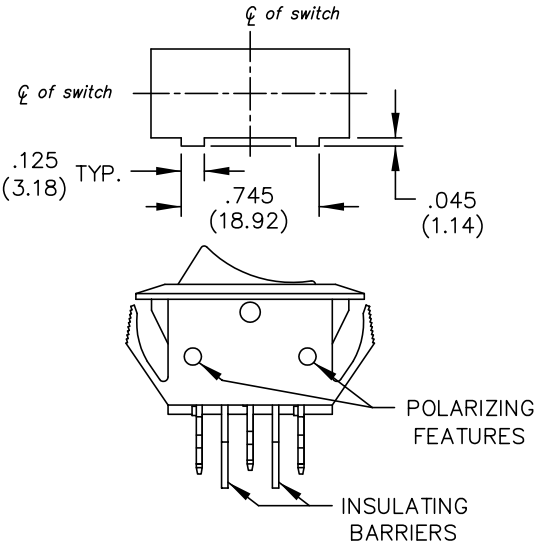
Dwg. No.
 GRS-2012A-3XXX

PANEL PIERCING



OPTIONS:

POLARIZED PANEL PIERCING



TERMINAL OPTIONS:

.250" Wide Terminal is standard as Shown in drawing.
 .187" Wide Terminal is optional.

B-FORMAT 2002

REVISIONS

1 2 3 4 5 6 7 8 9 10

CW INDUSTRIES
 Southampton, Pa. 18966

TOLERANCES UNLESS OTHERWISE SPECIFIED
 2 Place Decimal $\pm .010$ METRIC
 3 Place Decimal $\pm .005$ 1 Place Dec. $\pm .25$ mm
 Angles $\pm 1^\circ$ 2 Place Dec. $\pm .13$ mm

Title: MOMENTARY ROCKER
 SWITCH ASSEMBLY
 S.P.D.T. WITH OPTIONS
 1.072" x .480" PANEL

Made for: CW IND.
 Drawn by: DGW 7-06-2010
 Checked by:
 Approval:

Division: SWITCH
 Dwg. No.
 GRS-2012A-3XXX