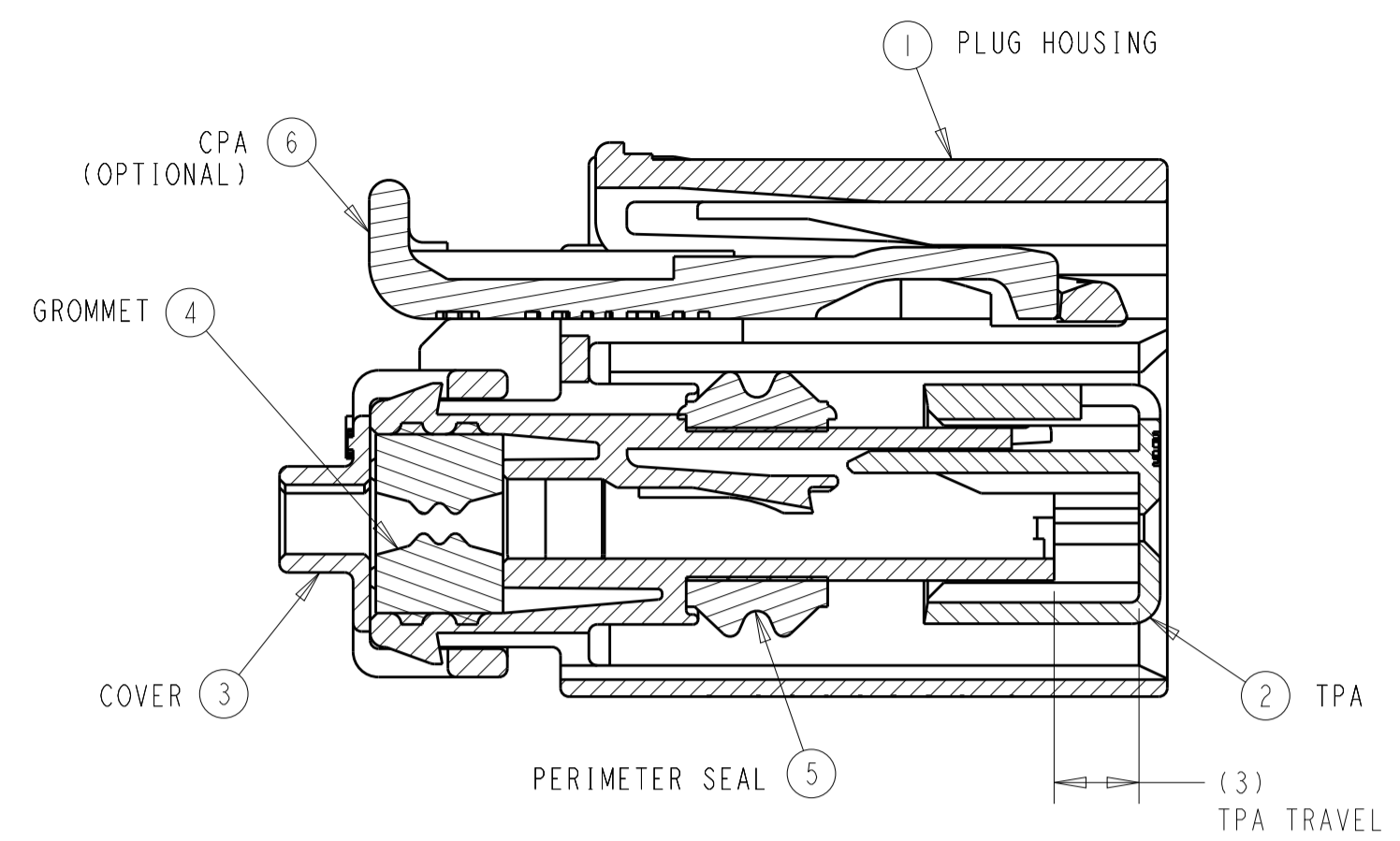
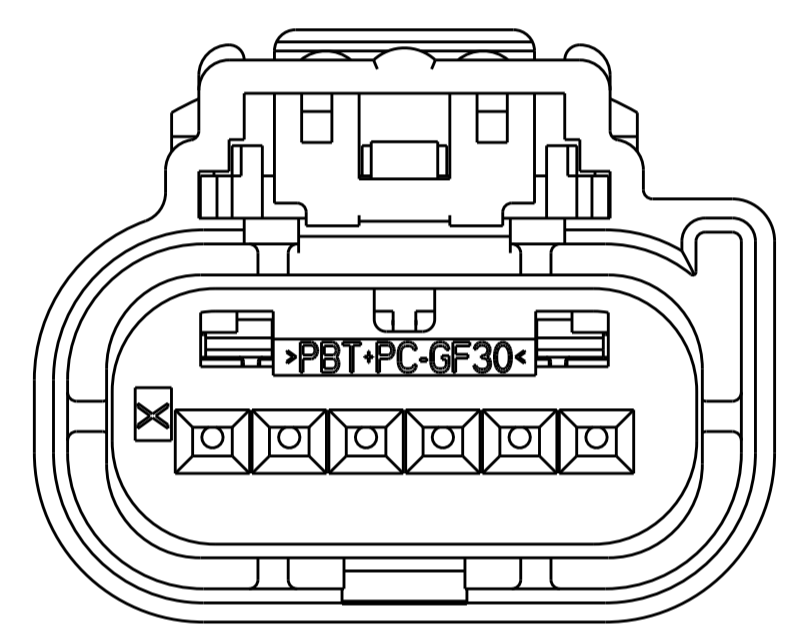
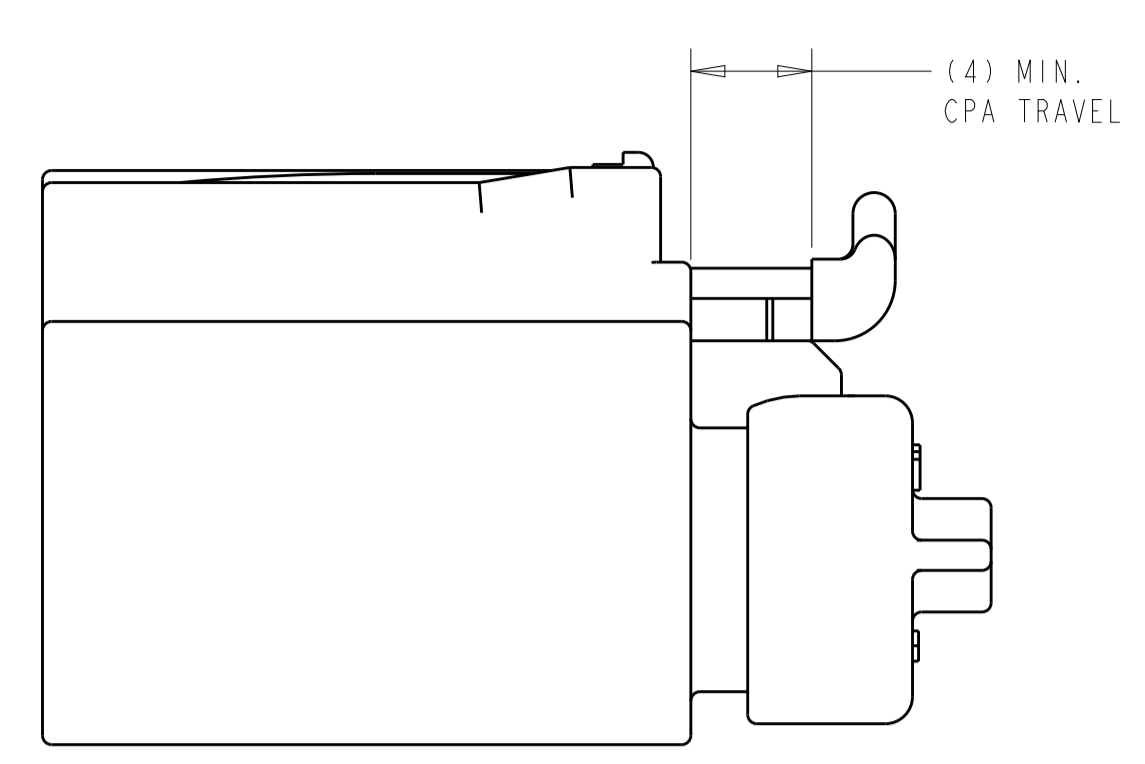
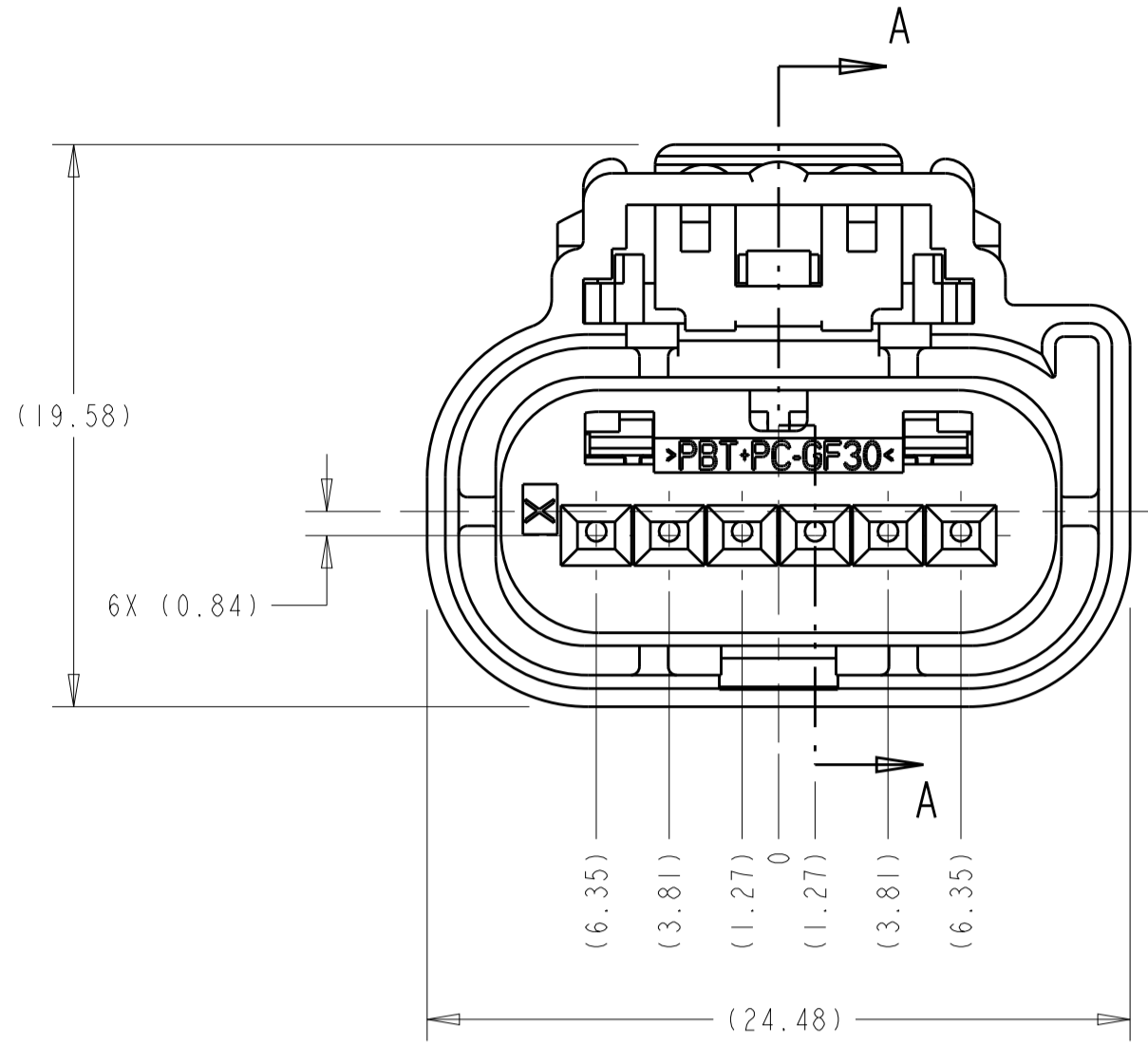


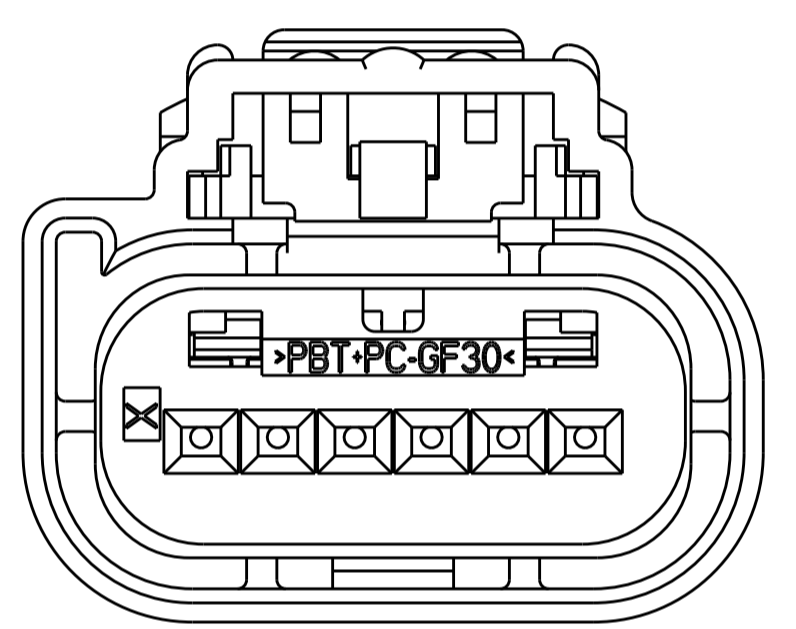
LOC		DIST		REVISIONS			
FX	00						
		U4		REVISED PER ECO-11-005030	11MAR2011	RK	HMR
		V		REVISED PER ECO-11-009058	02MAY2011	DLD	WTW
		V1		REVISED PER ECO-12-012119	05JUL2012	DLD	DCM



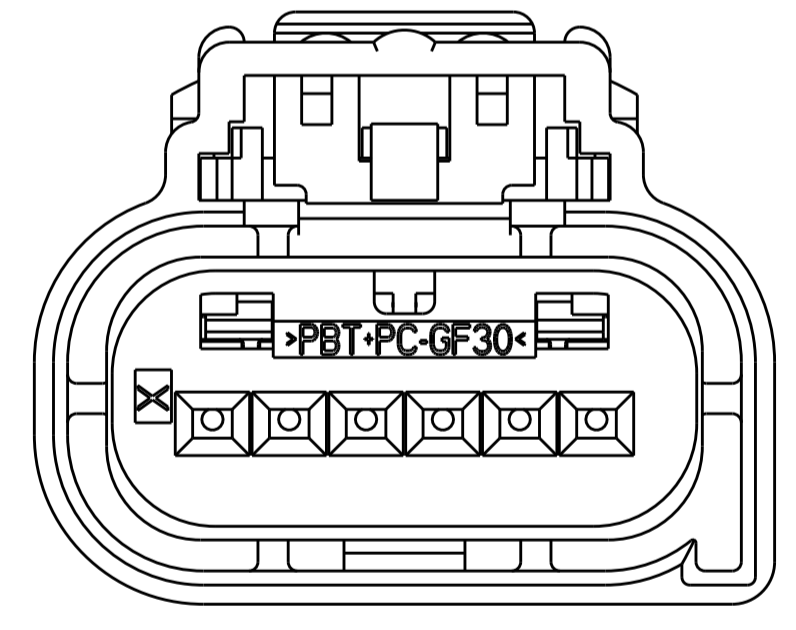
SECTION A-A  
 SHOWN WITH TPA  
 AND CPA (OPTIONAL) IN  
 THEIR PRE-LOADED POSITION  
 (DELIVERY CONDITION)



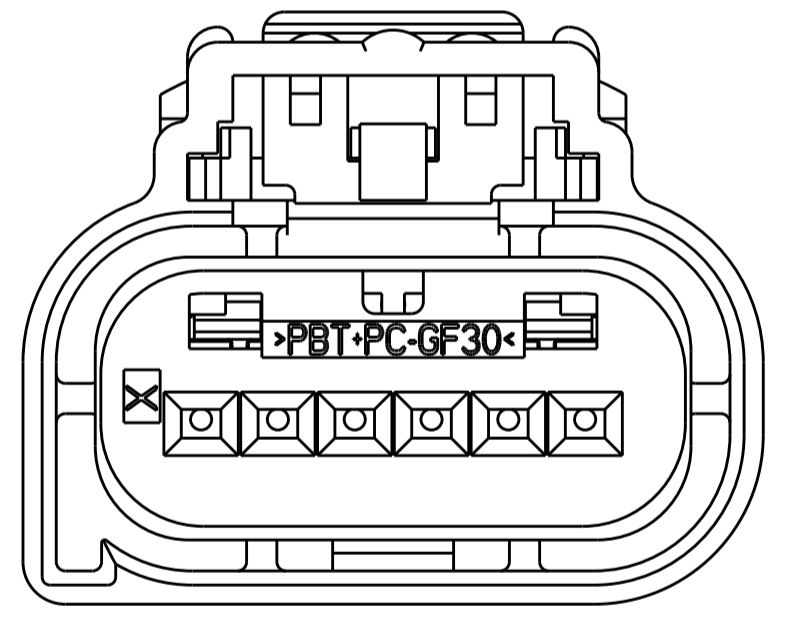
KEYING OPTION "A"



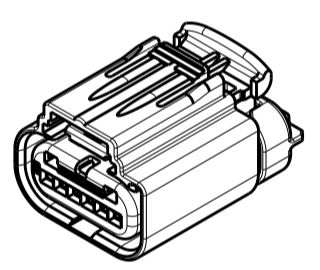
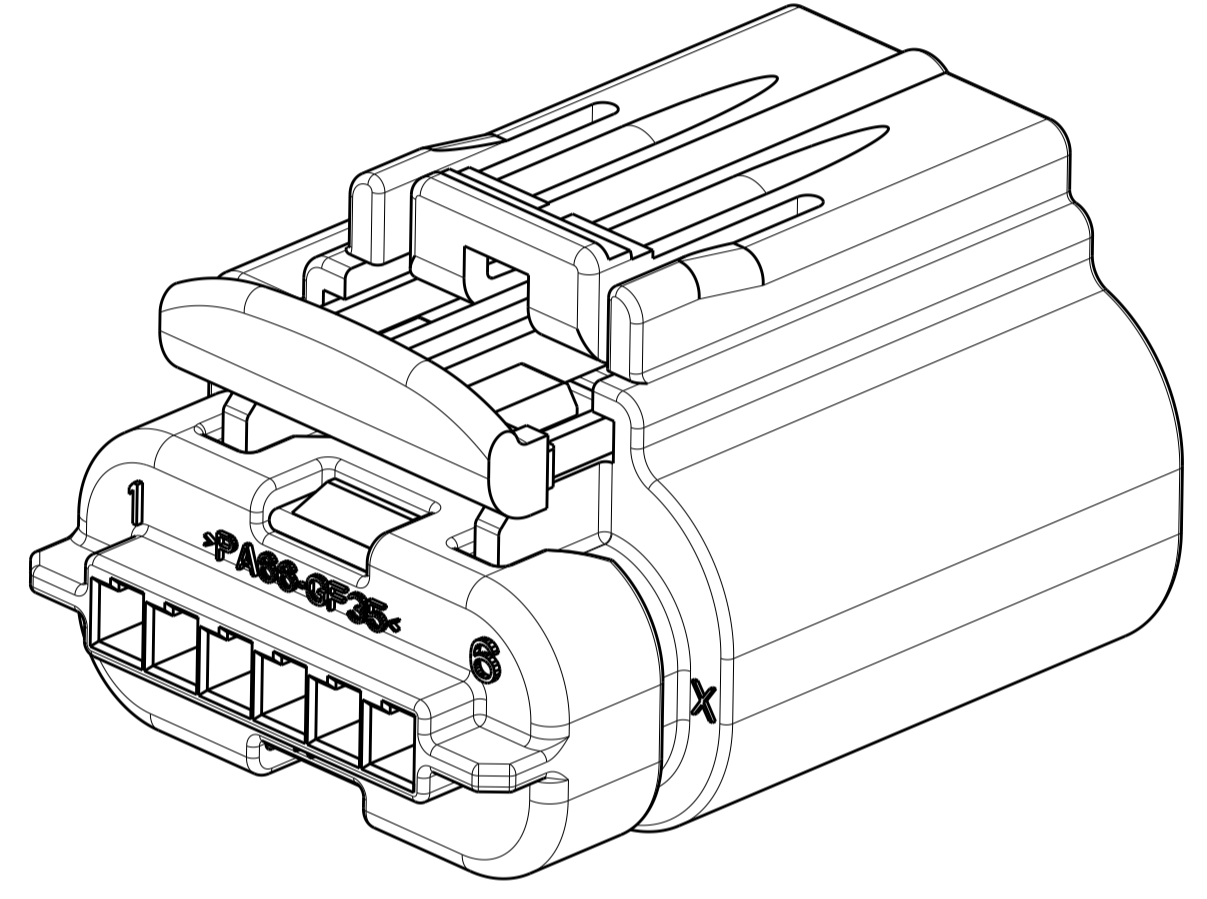
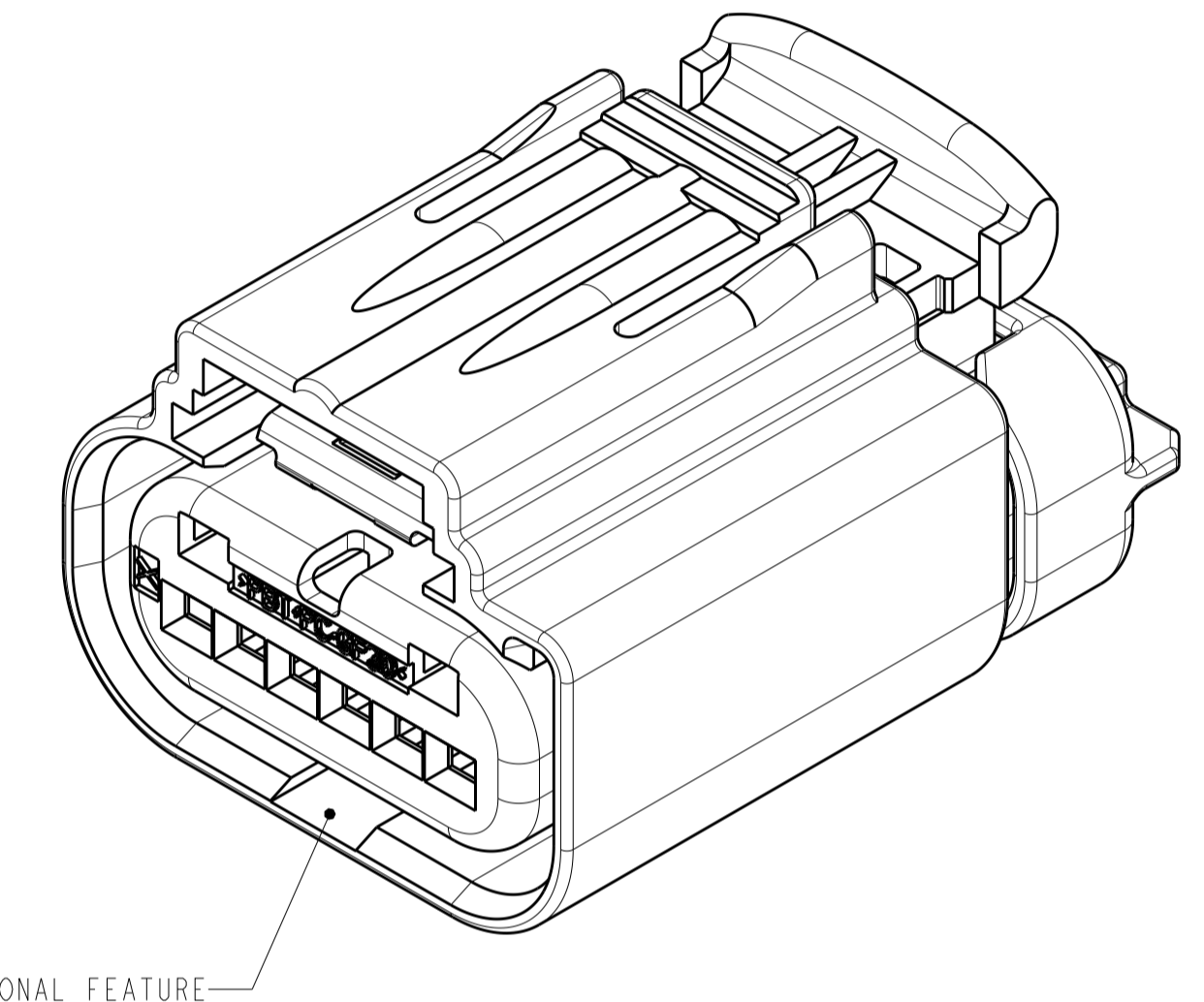
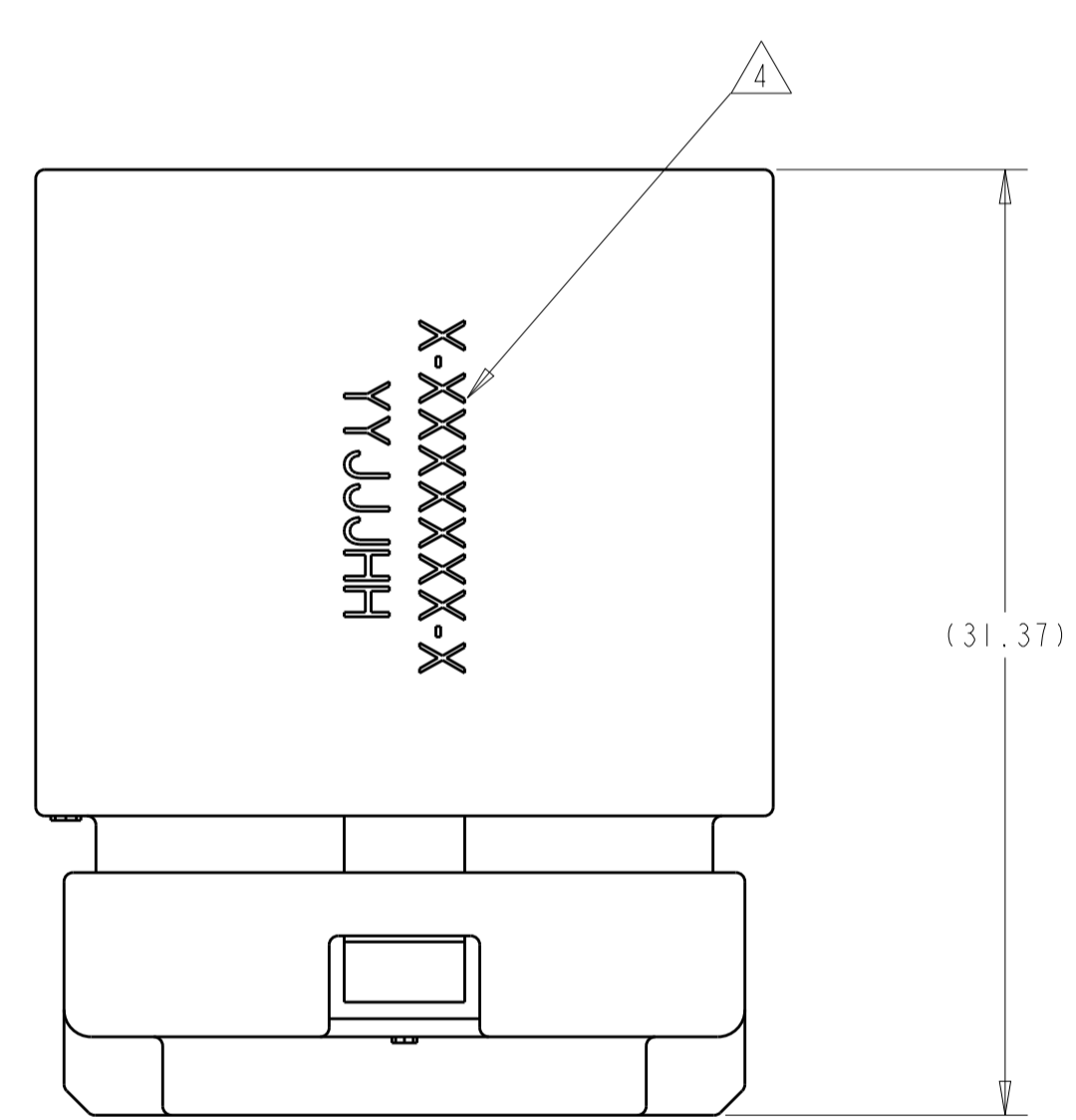
KEYING OPTION "B"



KEYING OPTION "C"



KEYING OPTION "D"



SCALE 1:1

KEYING OPTION "A" SHOWN  
 SEE NOTE 5 FOR APPLICABLE HEADER  
 INTERFACE INFORMATION

1. APPLICABLE TERMINAL PART NUMBERS (SOLD SEPARATELY):  
 FOR TIN APPLICATIONS: 1393367 AND 1393366.  
 FOR GOLD APPLICATIONS: 1393365 AND 1393364.  
 FOR TERMINATION AND REELING OPTIONS  
 SEE DRAWINGS 1393367, 1393366, 1393365, AND 1393364.

2. COMPATIBLE WIRE SIZES FOR MAT SEAL DESIGN 1.19 TO 2.06 O.D.  
 (22-18 AWG, 0.35-0.75 mm<sup>2</sup>)

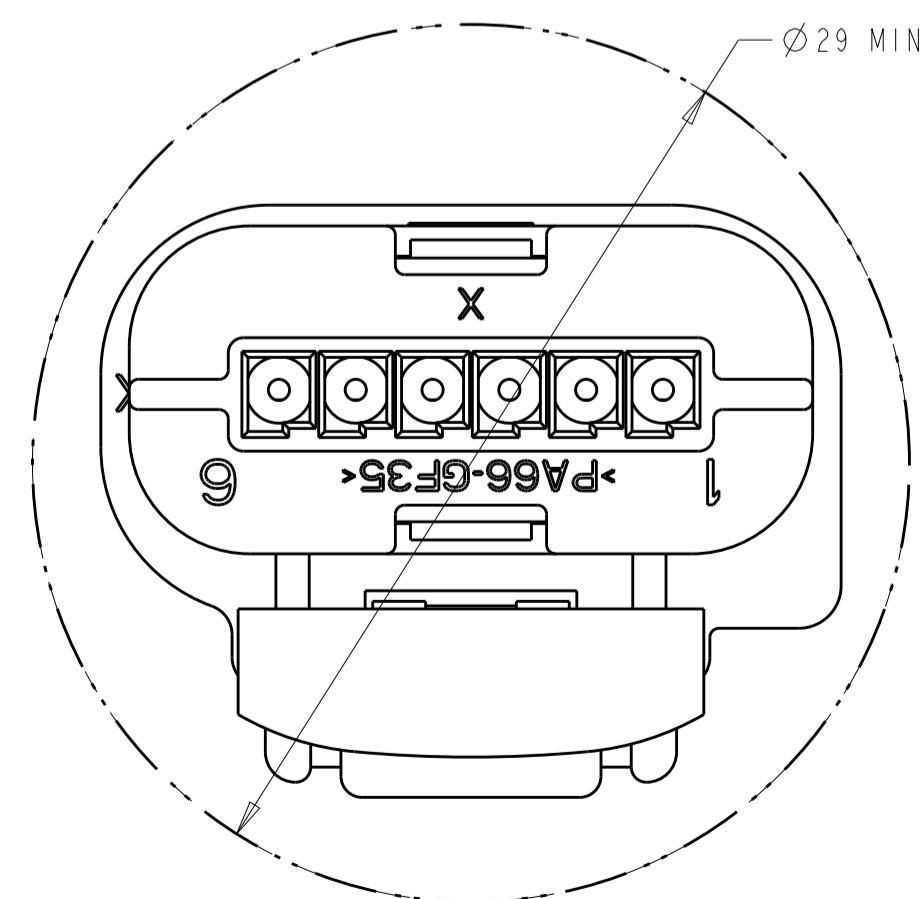
3. TPA IS SHIPPED IN PRE-LOADED POSITION. SOME TPA'S MAY BECOME FULLY  
 SEATED DURING SHIPPING. USE TE CONNECTIVITY INSTRUCTION SHEET  
 408-10128 TO REPOSITION TPA TO IT'S PRE-LOADED POSITION.

4. TE CONNECTIVITY ASSEMBLY PART NUMBER (X-XXXXXX-X) AND TRACEABILITY CODE  
 (YY = TWO DIGIT YEAR, JJJ = JULIAN DAY, HH = TWO DIGIT MILITARY HOUR)  
 ARE PRINTED IN THIS LOCATION.

5. APPLICABLE HEADER INTERFACE DRAWING 1438199 IS AVAILABLE UPON REQUEST.  
 A COPY OF THIS DRAWING CAN BE OBTAINED FROM THE TE CONNECTIVITY  
 PRODUCT MANAGER, VIA YOUR TE CONNECTIVITY SALES REPRESENTATIVE  
 OR CUSTOMER SERVICE.

6. ASSEMBLIES ARE BULK PACKAGED.

7. OPTIONAL CPA IS SHIPPED IN IT'S PRE-LOADED POSITION.



MINIMUM FEED THROUGH CONDITION  
 WITH 1mm CLEARANCE ALL AROUND

ITEM	DESCRIPTION	MATERIAL	COLOR
6	CPA	PBT-GF20	RED
5	PERIMETER SEAL	SILICONE	GREEN
4	GROMMET	SILICONE	BROWN
3	COVER	PA66-GF35	BLACK
2	TPA	PBT+PC-GF30	RED
1	PLUG WITH KEYING KEYING OPTION "D"	PA66-GF35	BLACK
1	PLUG WITH KEYING KEYING OPTION "C"	PA66-GF35	BLACK
1	PLUG WITH KEYING KEYING OPTION "B"	PA66-GF35	BLACK
1	PLUG WITH KEYING KEYING OPTION "A"	PA66-GF35	BLACK

ITEM	DESCRIPTION	MATERIAL	COLOR
1	PLUG WITH KEYING KEYING OPTION "D"	PA66-GF35	BLACK
1	PLUG WITH KEYING KEYING OPTION "C"	PA66-GF35	BLACK
1	PLUG WITH KEYING KEYING OPTION "B"	PA66-GF35	BLACK
1	PLUG WITH KEYING KEYING OPTION "A"	PA66-GF35	BLACK

THIS DRAWING IS A CONTROLLED DOCUMENT.

DIMENSIONS: mm

TOLERANCES UNLESS OTHERWISE SPECIFIED:

0 PLC ±0.3  
 1 PLC ±0.3  
 2 PLC ±0.10  
 3 PLC ±0.10  
 4 PLC ±0.10  
 ANGLES ±0.5°

MATERIAL: - FINISH: -

THIS DRAWING IS A CONTROLLED DOCUMENT. DWN: M. FORISKA 15OCT2001  
 CHK: M. FORISKA 15OCT2001  
 APVD: A. SHUMAN 15OCT2001

PRODUCT SPEC: -  
 APPLICATION SPEC: 114-13150  
 WEIGHT: -  
 CUSTOMER DRAWING

NAME: I X 6 SEALED CONNECTOR HARNESS ASSEMBLY

SIZE: A1 CAGE CODE: 00779 DRAWING NO: 1-1419168-1 RESTRICTED TO: -  
 SCALE: 4:1 SHEET 1 OF 2 REV: V1

LOC	DIST	REVISIONS					
		P.	LTN	DESCRIPTION	DATE	DMN	APVD
FX	00	-	-	SEE SHEET 1	-	-	-

6	5	4	3	2	1	TE CONNECTIVITY ASSEMBLY PART NUMBER	FORD PART NUMBER
						1-1438153-9	---
6						1-1438153-3	3L2T-14A464-BA-006
			3			1-1438153-2	3L2T-14A464-BA-005
			3			1438153-9	3L2T-14A464-BA-004
		4				1438153-8	3L2T-14A464-BA-003
						1438153-4	3L2T-14A464-BA-002
6						1438153-1	3L2T-14A464-BA-001
						1-1419168-1	3L2T-14A464-BA-000
6	5	4	3	2	1	TE CONNECTIVITY ASSEMBLY PART NUMBER	FORD PART NUMBER
CAVITIES WITH A NUMBER INDICATES CLOSED TERMINAL HOLE LOCATION							
BLANK CAVITIES INDICATES OPEN TERMINAL HOLE LOCATION							
KEY A, WITH CPA							

6	5	4	3	2	1	TE CONNECTIVITY ASSEMBLY PART NUMBER	FORD PART NUMBER
						1-1438153-6	3W4T-14A464-VA-007
6	5		3			1-1438153-5	3W4T-14A464-VA-006
6				2		1-1438153-4	3W4T-14A464-VA-005
	5					1-1438153-1	3W4T-14A464-VA-004
		4				1-1438153-0	---
						1438153-6	3W4T-14A464-VA-003
6						1438153-5	3W4T-14A464-VA-002
6		4				1438153-2	3W4T-14A464-VA-001
						1-1419168-2	3W4T-14A464-VA-000
6	5	4	3	2	1	TE CONNECTIVITY ASSEMBLY PART NUMBER	FORD PART NUMBER
CAVITIES WITH A NUMBER INDICATES CLOSED TERMINAL HOLE LOCATION							
BLANK CAVITIES INDICATES OPEN TERMINAL HOLE LOCATION							
KEY B, WITH CPA							

6	5	4	3	2	1	TE CONNECTIVITY ASSEMBLY PART NUMBER	FORD PART NUMBER
						1-1438153-8	9U5T-14A464-GAA-003
6						1-1438153-7	9U5T-14A464-GAA-002
6						1-1419168-5	9U5T-14A464-GAA-001
						1-1419168-3	9U5T-14A464-GAA
6	5	4	3	2	1	TE CONNECTIVITY ASSEMBLY PART NUMBER	FORD PART NUMBER
CAVITIES WITH A NUMBER INDICATES CLOSED TERMINAL HOLE LOCATION							
BLANK CAVITIES INDICATES OPEN TERMINAL HOLE LOCATION							
KEY C, WITH CPA							


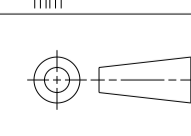
6	5	4	3	2	1	TE CONNECTIVITY ASSEMBLY PART NUMBER	FORD PART NUMBER
						1438153-3	3L2T-14A464-GA-001
						1419168-7	3L2T-14A464-GA-000
6	5	4	3	2	1	TE CONNECTIVITY ASSEMBLY PART NUMBER	FORD PART NUMBER
CAVITIES WITH A NUMBER INDICATES CLOSED TERMINAL HOLE LOCATION							
BLANK CAVITIES INDICATES OPEN TERMINAL HOLE LOCATION							
KEY A, NO CPA							

6	5	4	3	2	1	TE CONNECTIVITY ASSEMBLY PART NUMBER	FORD PART NUMBER
						1438153-7	4L5T-14A464-BA-001
						1419168-8	4L5T-14A464-BA-000
6	5	4	3	2	1	TE CONNECTIVITY ASSEMBLY PART NUMBER	FORD PART NUMBER
CAVITIES WITH A NUMBER INDICATES CLOSED TERMINAL HOLE LOCATION							
BLANK CAVITIES INDICATES OPEN TERMINAL HOLE LOCATION							
KEY B, NO CPA							

6	5	4	3	2	1	TE CONNECTIVITY ASSEMBLY PART NUMBER	FORD PART NUMBER
						1419168-9	---
6	5	4	3	2	1	TE CONNECTIVITY ASSEMBLY PART NUMBER	FORD PART NUMBER
CAVITIES WITH A NUMBER INDICATES CLOSED TERMINAL HOLE LOCATION							
BLANK CAVITIES INDICATES OPEN TERMINAL HOLE LOCATION							
KEY C, NO CPA							

6	5	4	3	2	1	TE CONNECTIVITY ASSEMBLY PART NUMBER	FORD PART NUMBER
						1-1419168-0	---
6	5	4	3	2	1	TE CONNECTIVITY ASSEMBLY PART NUMBER	FORD PART NUMBER
CAVITIES WITH A NUMBER INDICATES CLOSED TERMINAL HOLE LOCATION							
BLANK CAVITIES INDICATES OPEN TERMINAL HOLE LOCATION							
KEY D, NO CPA							

PINOUT CHARTS

THIS DRAWING IS A CONTROLLED DOCUMENT.		DMN M. FORLSKA 15OCT2001	
DIMENSIONS: mm		CHK M. FORLSKA 15OCT2001	
		APVD A. SHUMAN 15OCT2001	
TOLERANCES UNLESS OTHERWISE SPECIFIED:		NAME I X 6 SEALED CONNECTOR HARNESS ASSEMBLY	
0 PLC ±.1		PRODUCT SPEC	SIZE CAGE CODE DRAWING NO RESTRICTED TO
1 PLC ±0.3		APPLICATION SPEC	A1 00779 C=1-1419168-1
2 PLC ±.10		WEIGHT	SCALE 4:1 SHEET 2 OF 2 REV I
3 PLC ±.		CUSTOMER DRAWING	
4 PLC ±.			
ANGLES ±.3°			
FINISH			