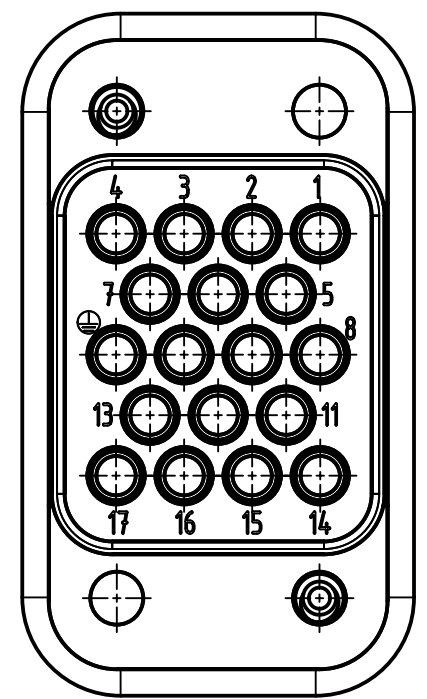
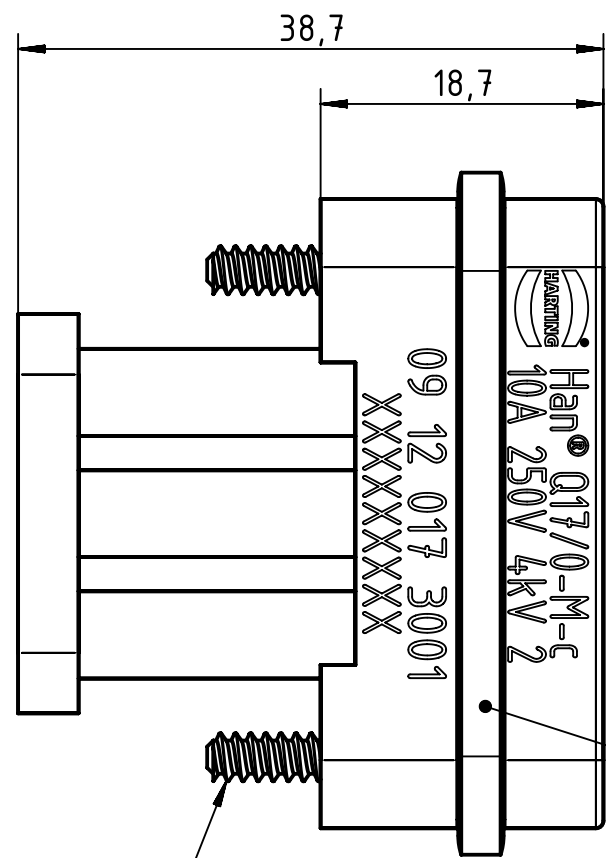
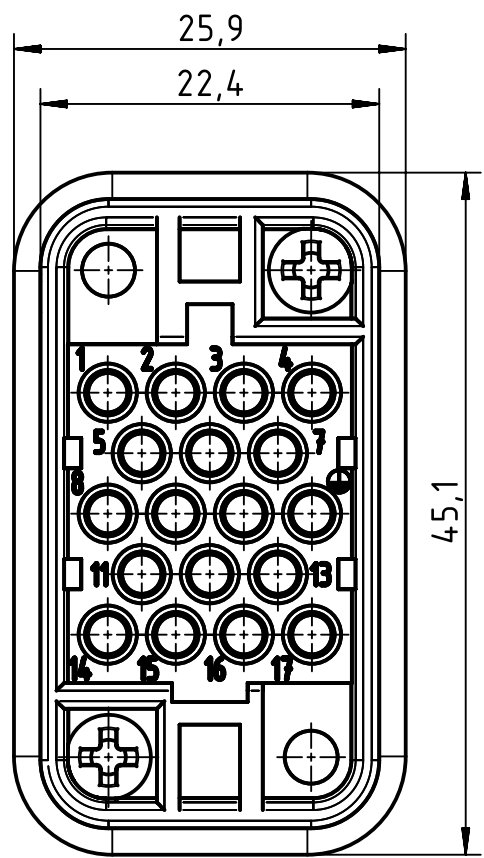
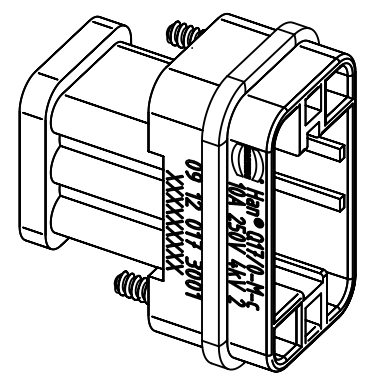



1 2 3 4 5 6

A  
B  
C  
D



self-tapping screw  
ISO 7049-ST 2,9x9,5-F-H



	All Dimensions in mm Original Size DIN A4		Scale 2:1	Free size tol.		Ref.	
	All rights reserved Department EL PD - DE		Created by RULLKOETTER	Inspected by BERGHORN	Standardisation TIEMANNA	Date 2015-09-15	State Final Release
HARTING Electric GmbH & Co. KG D-32339 Espelkamp			Title Han Q 17/0 Male Insert Crimp Term			Doc-Key / ECM-Nr. 100085600/UGD/005/A 500000094517	
			Type TB	Number 09 12 017 3001		Rev. A	Page 1/1