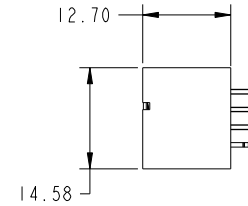
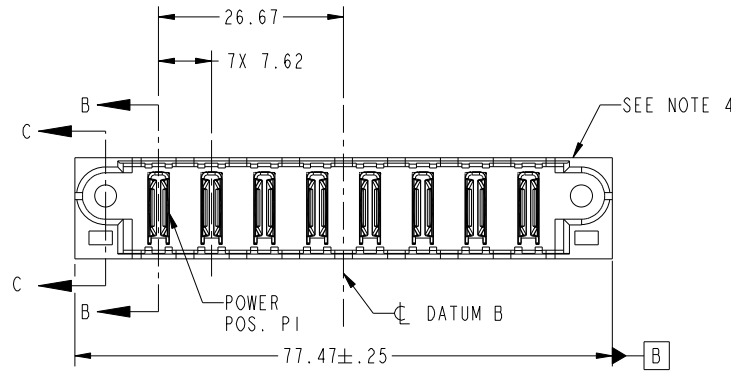


Tous droits strictement reserves. Reproduction ou communication a des tiers interdite sous quelque forme que ce soit sans autorisation écrite du propriétaire. Propriete de c FCI. Droits de reproduction FCI.



All rights strictly reserved. Reproduction or issue to third parties in any form whatever is not permitted without written authority from the proprietor. Property of FCI. Copyright FCI.

PRODUCT NO.	POWER										E2
	E1	P1	P2	P3	P4	P5	P6	P7	P8		
51952-069... NOTE: 3		PA	PA	PA	PA	PA	PA	PA	PA	PA	



CODE	DIM "M" MATING LENGTH	CONTACT TYPE
PA	[N/A]	POWER
HA	[N/A]	HOLD-DOWN

mat'l code				SEE NOTE		tolerances unless otherwise specified		CUSTOMER		 www.fciconnect.com	
ltr	ecn no.	dr	date	linear	0.X ± 0.5	projection		COPY		title	
A	DG05-0225	GuoJM	07/15/05		0.XX ± 0.25					8ACP VERTICAL SOLDER HEADER	
B	DG05-0563	RYAN	12/26/05	angles	0.XXX ± 0.10					product family PwrBlade code 213	
C	DG07-0498	JW	09/12/08		0° ± 2°	scale		size		sheet	
				dr	JM Guo 07/15/05	1:1		A		51952-069	
				enrg	SLUO 07/15/05					1 of 4	
				chr	VICTOR LIN 07/15/05						
				appd	JOSEPH HSIA 07/15/05						
sheet index	revision sheet	C 1	C 2	C 3	C 4						

cage code 22526

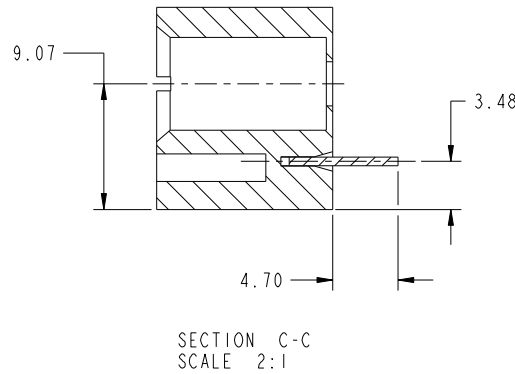
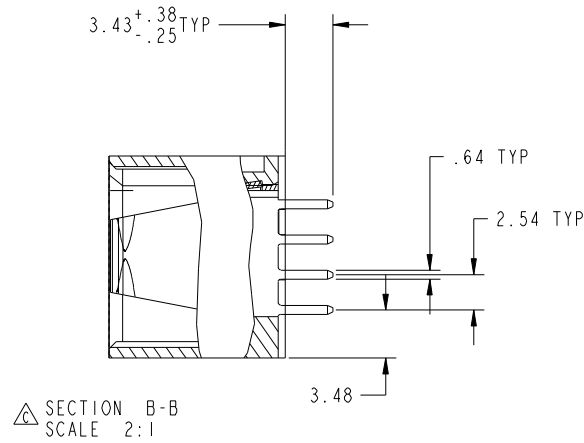
Pro/E

Tous droits strictement reserves. Reproduction ou communication a des tiers interdite sous quelque forme que ce soit sans autorisation écrite du propriétaire. Propriete de c FCI. Droits de reproduction FCI.



All rights strictly reserved. Reproduction or issue to third parties in any form whatever is not permitted without written authority from the proprietor. Property of FCI. Copyright FCI.

PRODUCT NUMBER
51952-069--
NOTE: 3



mat'l code		SEE NOTE		tolerances unless otherwise specified		CUSTOMER		 www.fciconnect.com	
ltr	ecn no.	dr	date	linear	0.X ± 0.5	COPY		title	
c					0.XX ± 0.25	projection		8ACP VERTICAL SOLDER HEADER	
				angles	0.XXX ± 0.10			product family	
				dr	0° ± 2°			PwrBlade	
				enr	JM Guo 07/15/05	scale		code	
				chr	SLUO 07/15/05	1:1		213	
				appd	VICTOR LIN 07/15/05	A		sheet	
					JOSEPH HSIA 07/15/05			2	
sheet index	revision sheet							cage code	
								22526	

Pro/E

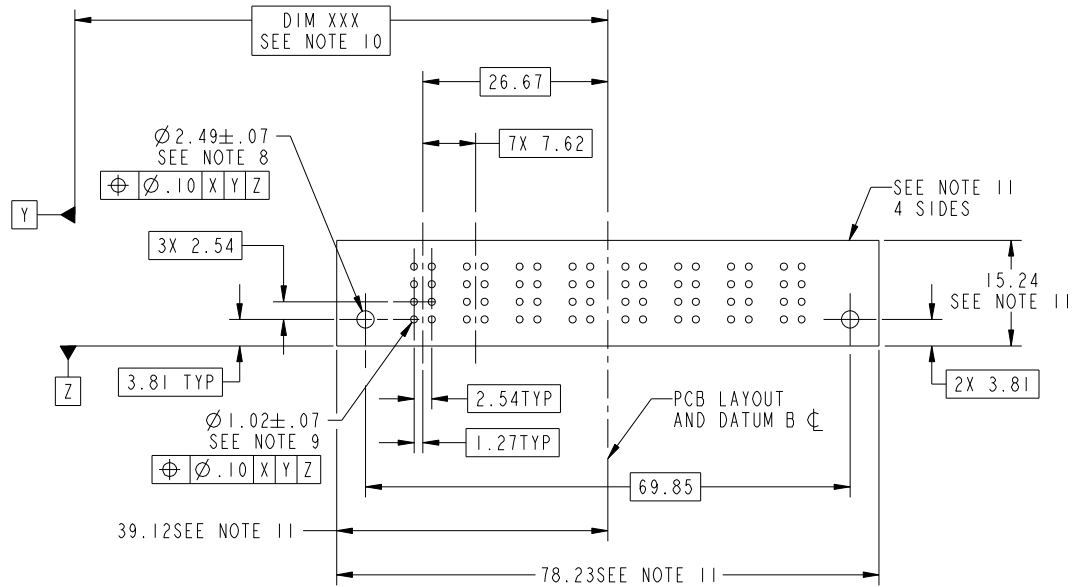
cage code 22526

Tous droits strictement reserves. Reproduction ou communication a des tiers interdite sous quelque forme que ce soit sans autorisation écrite du propriétaire. Propriete de c FCI. Droits de reproduction FCI.



All rights strictly reserved. Reproduction or issue to third parties in any form whatever is not permitted without written authority from the proprietor. Property of FCI. Copyright FCI.

PRODUCT NUMBER
51952-069--
NOTE: 3



mat'l code		SEE NOTE		tolerances unless otherwise specified		CUSTOMER		FCI		www.fciconnect.com	
ltr	ecn no.	dr	date	linear	$0.X \pm 0.5$	COPY		title			
C					$0.XX \pm 0.25$	projection		8ACP VERTICAL SOLDER HEADER			
				angles	$0.XXX \pm 0.10$			product family PwrBlade code			
				dr	$0^\circ \pm 2^\circ$	MIM		size		213	
				enrg	JM Guo 07/15/05	scale		dwg no		sheet	
				chr	SLUO 07/15/05	1:1		51952-069		3	
				appd	VICTOR LIN 07/15/05						
					JOSEPH HSIA 07/15/05						
sheet index	revision sheet										

cage code 22526

Pro/E

Tous droits strictement reserves. Reproduction ou communication a des tiers interdite sous quelque forme que ce soit sans autorisation écrite du propriétaire. Propriete de c FCI. Droits de reproduction FCI.



All rights strictly reserved. Reproduction or issue to third parties in any form whatever is not permitted without written authority from the proprietor. Property of FCI. Copyright FCI.

A

B

PRODUCT NUMBER		51952-069--		NOTE: 3	
NOTES:					
1. DIMENSIONS AND TOLERANCES ARE IN ACCORDANCE WITH ASME Y14.5M, 1994 UNLESS OTHERWISE SPECIFIED.					
CONNECTOR NOTES:					
② HOUSING MATERIAL: UL 94 V-0 GLASS FILLED					
HIGH-TEMP THERMOPLASTIC					
POWER CONTACT MATERIAL: COPPER ALLOY					
SIGNAL PIN MATERIAL: COPPER ALLOY					
3. PLATING:					
⚠ SEE ITEM 1 & 2 IN PRINT 10064183 FOR PLATING SPEC OF 51952-069;51952-069LF RESPECTIVELY					
④ MANUFACTURER'S NAME, P/N, AND DATE CODE TO APPEAR ON THIS SURFACE.					
5. PRODUCT SPECIFICATION GS-12-149.					
APPLICATION SPECIFICATION BUS-20-067.					
6. PACKAGED IN TRAYS.					
PCB NOTES:					
7. ALL HOLE DIAMETERS ARE FINISHED HOLE SIZE.					
8. MOUNTING HOLES, WHERE APPLICABLE, ARE UNPLATED.					
⑨ $\varnothing 1.151 \pm 0.025$ DRILLED HOLES PLATED WITH)					
0.008 MIN SnPb OR Sn OVER 0.03					
TO 0.08 Cu PLATING TO ACHIEVE					
$\varnothing 1.02 \pm .07$ HOLE.					
⑩ "DIM XXX" TO BE DETERMINED BY THE CUSTOMER.					
⑪ CONNECTOR KEEP-OUT ZONE.					
12. A ⚠ SYMBOL WILL BE NEXT TO ANY DIMENSION, VIEW, OR NOTE WHICH HAS BEEN MODIFIED WITH THE CURRENT DRAWING REVISION.					
mat'l code		SEE NOTE		tolerances unless otherwise specified	
ltr	ecr no.	dr	date	linear	0.X ± 0.5
C				linear	0.XX ± 0.25
				angles	0.XXX ± 0.10
				dr	0° ± 2°
				dr	JM Guo 07/15/05
				enr	SLUO 07/15/05
				chr	VICTOR LIN 07/15/05
				appd	JOSEPH HSIA 07/15/05
sheet index	revision sheet				

CUSTOMER		FCI		www.fciconnect.com	
COPY		projection		title	
MIM		⊕		8ACP	
scale		A		VERTICAL SOLDER HEADER	
1:1		product family		PwrBlade	
		size		code	
		dwg no		213	
		51952-069		sheet	
				4	
		cage code		4	
		22526			

A

B

1 | 2

3 |

4

1 | 2

Pro/E

3 |

cage code 22526

4