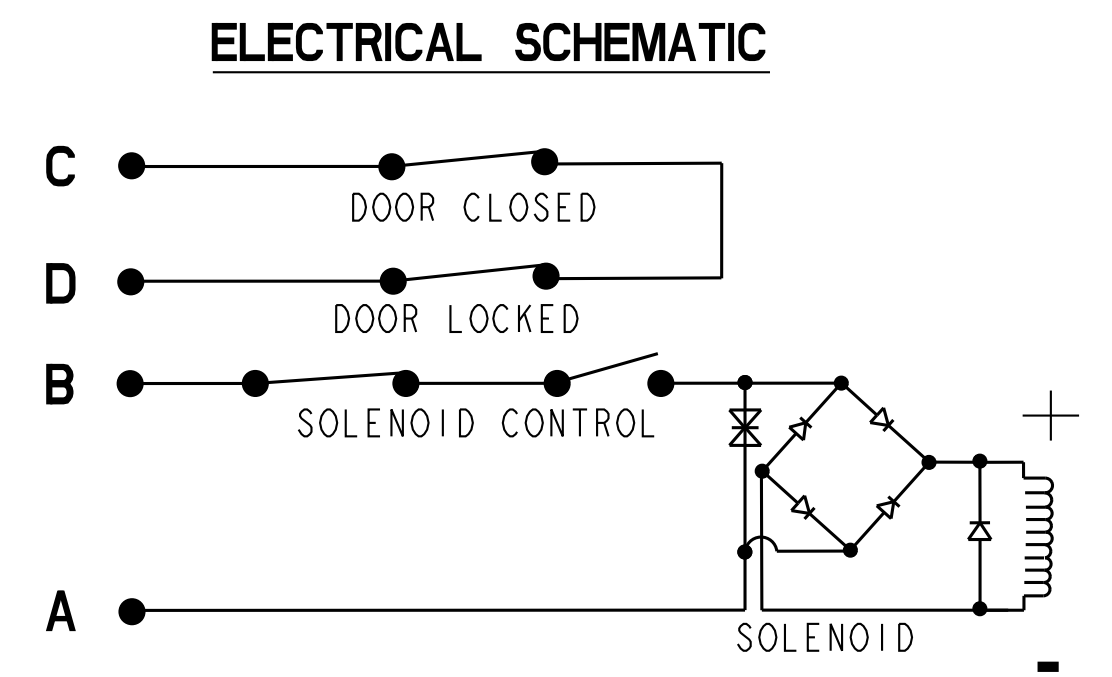
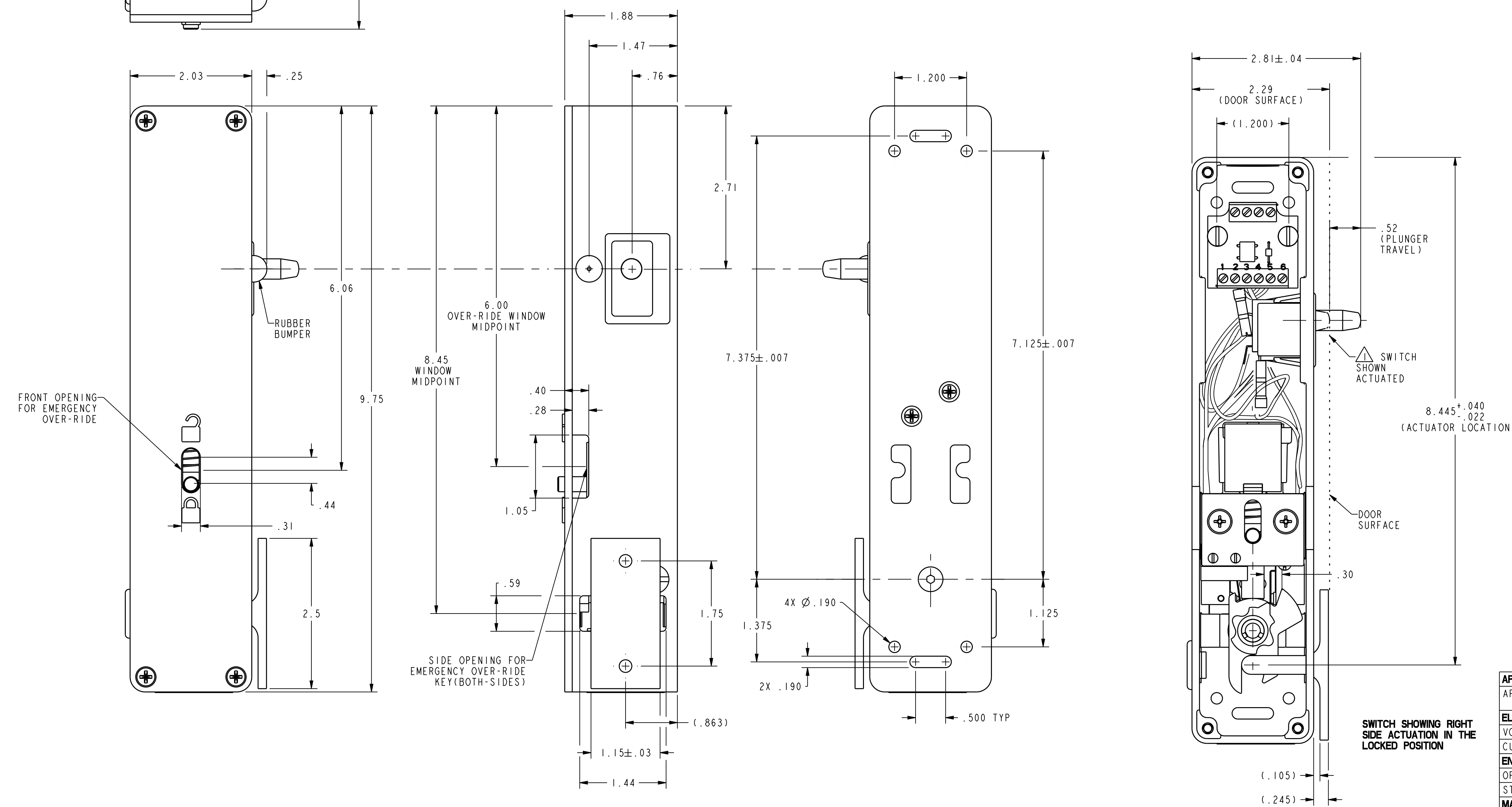
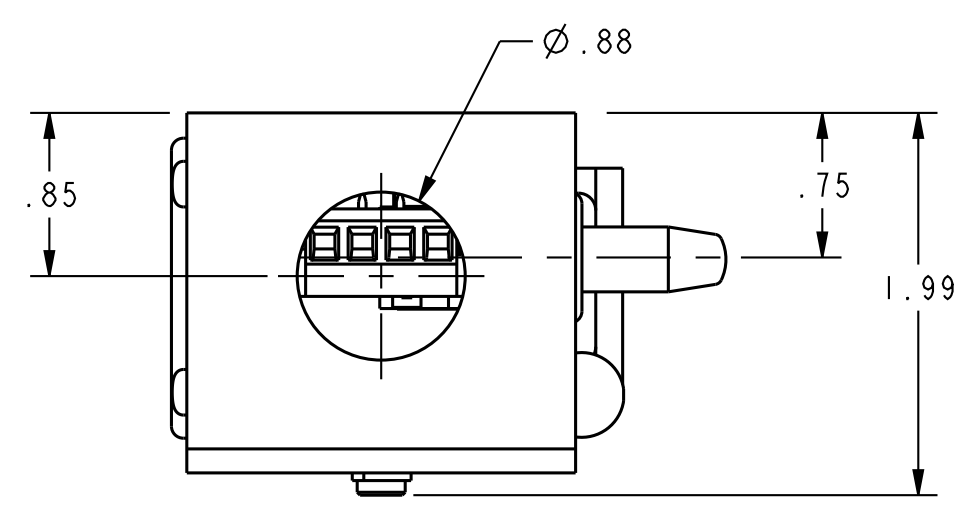


PART NUMBER
CDIRBSIW

| REVISION HISTORY | | | | | |
|------------------|----------|-----------------|----------|------------|-----------|
| REV | DOCUMENT | DESCRIPTION | CHG'D BY | DATE | APPROVED |
| A | 0075412 | RELEASE PER ECO | NMN | 2012-12-12 | K. BALAJI |



| APPROVALS | |
|--------------------------|---|
| APPROVALS COVERAGE | UL104/ASME17.1/CSA B44.1 FOR COMMERCIAL USE |
| ELECTRICAL RATINGS | |
| VOLTAGE | 24 VAC 24 VDC |
| CURRENT | 0.35A, 60Hz 0.2A |
| ENVIRONMENTAL | |
| OPERATING TEMPERATURE | +4° TO +38°C (+40° TO +100°F) |
| STORAGE TEMPERATURE | -40° TO 60° C (-40° TO +140°F) |
| MATERIAL OF CONSTRUCTION | |
| ACTUATOR KEY | INVESTMENT CAST STAINLESS STEEL WITH POWDER COAT FINISH WHITE COLOR |
| CAM | INVESTMENT CAST STAINLESS STEEL |
| COVER | DIE CAST ZINC WITH POWDER COAT FINISH WHITE COLOR |
| HOUSING | DIE CAST ZINC WITH POWDER COAT FINISH WHITE COLOR |

| | | | | | |
|---|----------------------------|--|------------------|---|------------|
| UNLESS OTHERWISE SPECIFIED DIMENSIONS ARE IN INCHES DECIMAL TOL NO PLACE --- ±.400 1 PLACE --- ±.030 2 PLACE --- ±.010 3 PLACE --- ±.005 ANGULAR TOL - ±2° CHAMFER - ±3° | THIRD ANGLE PROJECTION | Honeywell SWITCH ASSEMBLY | | | |
| | | TITLE: CDIRBSIW | | | |
| MATERIAL | SIZE: D | CAGE CODE: - | DWG NO: CDIRBSIW | TYPE: I | REV: A |
| FINISH | SCALE: 1:1 | REF WT: - | SHEET: 1 of 1 | HONEYWELL CONFIDENTIAL THIS DOCUMENT CONTAINS PROPRIETARY INFORMATION AND SUCH INFORMATION MAY NOT BE DISCLOSED TO OTHERS FOR ANY PURPOSE, NOR USED FOR MANUFACTURING PURPOSES WITHOUT WRITTEN PERMISSION FROM HONEYWELL. | |
| APPLICABLE DOCUMENTS: ASME Y14.100-2004 ASME Y14.5-2009 | RELEASE DATE: 2012-12-05 | DRW: K. NAVEEN | 2012-12-05 | RDE: K. BALAJI | 2012-12-05 |
| COMPUTER GENERATED DRAWING: PRO/ENGINEER | CHK: K. BALAJI | 2012-12-05 | | | |