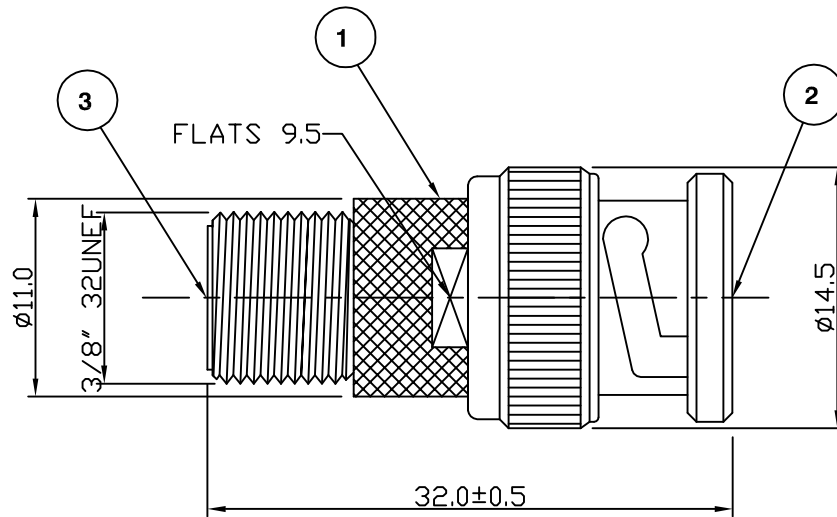


RoHS COMPLIANT



**Electrical Characteristics**

Nominal Impedance: Non-constant  
 Frequency Range: DC to 2 GHz  
 Operating Voltage (rms): 250 V maximum at sea level  
 Dielectric Withstand Voltage (rms): 1500 V maximum at sea level  
 Contact Resistance: 1.5 milliohms maximum  
 Insulation Resistance: 5000 megohms minimum

**Mechanical Characteristics**

Mating Cycles: 200 cycles minimum  
 Interface Dimensions: Conform to MIL-C-39012

**Environmental Characteristics**

Temperature Range: -55 °C to +85 °C

|   | PART       | DESCRIPTION          |
|---|------------|----------------------|
| 1 | Body       | Brass, nickel plated |
| 2 | Dielectric | Delrin, white        |
| 3 | Contact    | Brass, gold plated   |

|                         |       |     |           |
|-------------------------|-------|-----|-----------|
| Dimensional Update      | JT    | 3   | 25 Mar 10 |
| CAD Issue               | SN    | 2   | 02 Oct 02 |
| First Issue             | CBB   | 1   | 07 Oct 97 |
| DESCRIPTION OF REVISION | APPVD | ISS | DATE      |



Cinch Connectivity Solutions  
 7-13 Russel Way,  
 Widford Industrial Estate,  
 Chelmsford, Essex,  
 CM1 3AA, UK.  
 Tel: +44 (0) 1245 359515  
 Fax: +44 (0) 1245 358938

SCALE: Not To Scale

DIMENSIONS: mm

TOLERANCES:  
 ± 0.2mm unless  
 otherwise stated

DRAWN BY:

S Nash

CHECKED BY:

P Couzens

APPROVED BY:

P Couzens

DATE:

02 Oct 02

TITLE:

BNC Plug to F Jack

PART NUMBER:

VA204

PAGE: 1 of 1